

[54] SLIDE FASTENER PRESSER FOOT

[76] Inventor: Donald G. Drew, 161 131st Ave. NE., Bellevue, Wash. 98005

[**] Term: 14 Years

[21] Appl. No.: 502,145

[22] Filed: Aug. 30, 1974

[51] Int. CL D15-06

[52] U.S. CL D15/72

[58] Field of Search D70/2 R, 2 A, 2 B; 112/240, 235

[56] References Cited

U.S. PATENT DOCUMENTS

3,342,151	9/1967	Howell	112/235
3,349,736	10/1967	Howell	112/235
3,473,498	10/1969	Howell	112/240
3,511,201	5/1970	Howell	112/240
3,716,008	2/1973	Howell	112/240
3,726,243	4/1973	Howell	112/235
3,754,519	8/1973	Howell	112/235
3,854,433	12/1974	Hanyu	112/240
3,858,539	1/1975	Amburg	112/240

3,859,939 1/1975 Howell 112/235

Primary Examiner—Winifred E. Herrmann
Attorney, Agent, or Firm—Delbert J. Barnard

[57] CLAIM

The ornamental design for a slide fastener presser foot, substantially as shown.

DESCRIPTION

FIG. 1 is an isometric view taken from above and looking towards the front and one side of a slide fastener presser foot showing my new design;

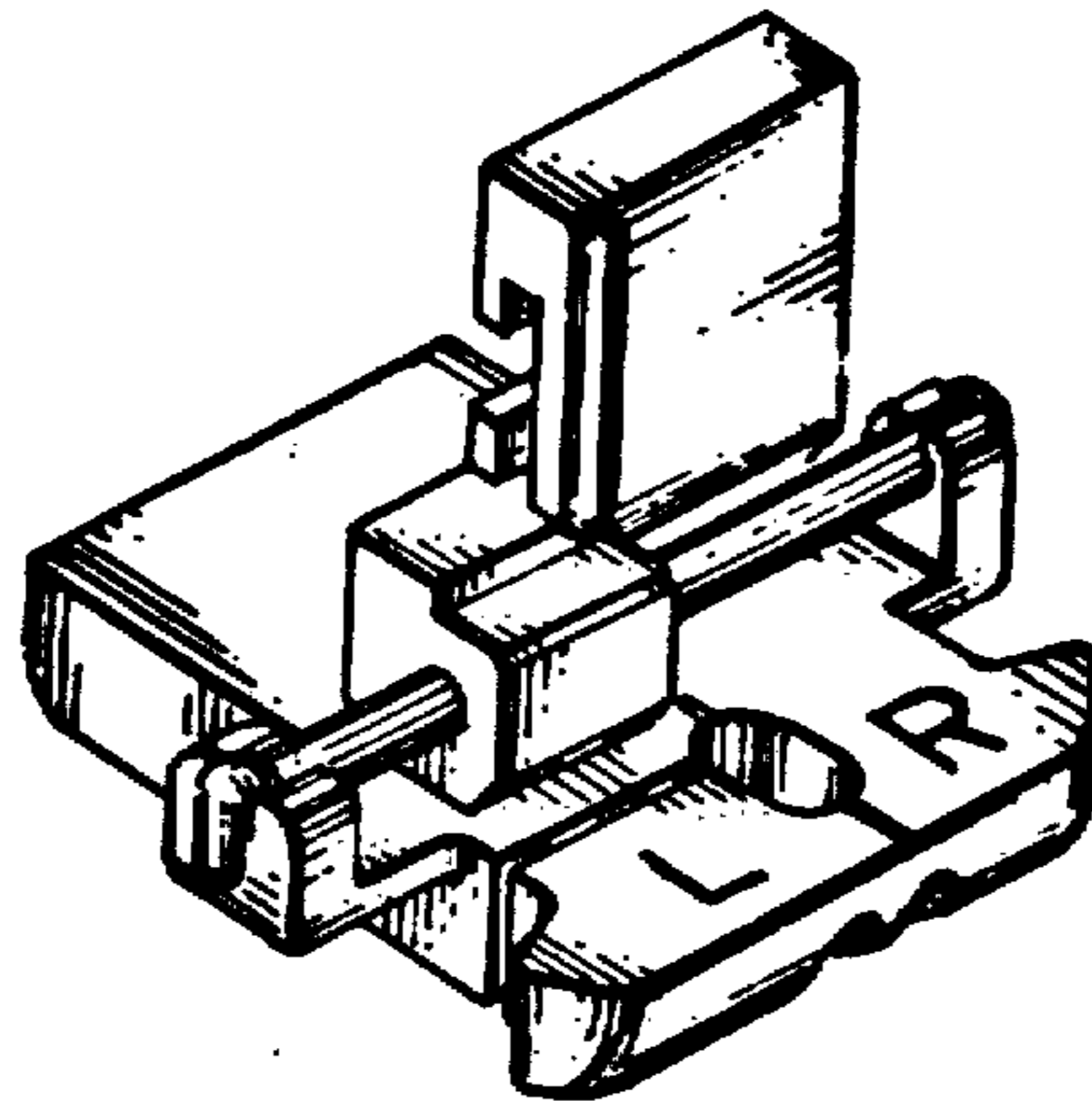
FIG. 2 is a top plan view of the slide fastener presser foot;

FIG. 3 is a side elevational view of the slide fastener presser foot, as seen from the left of FIG. 1;

FIG. 4 is a front elevational view of the slide fastener presser foot;

FIG. 5 is a rear elevational view of the slide fastener presser foot of FIG. 2; and

FIG. 6 is a bottom plan view of the slide fastener presser foot.



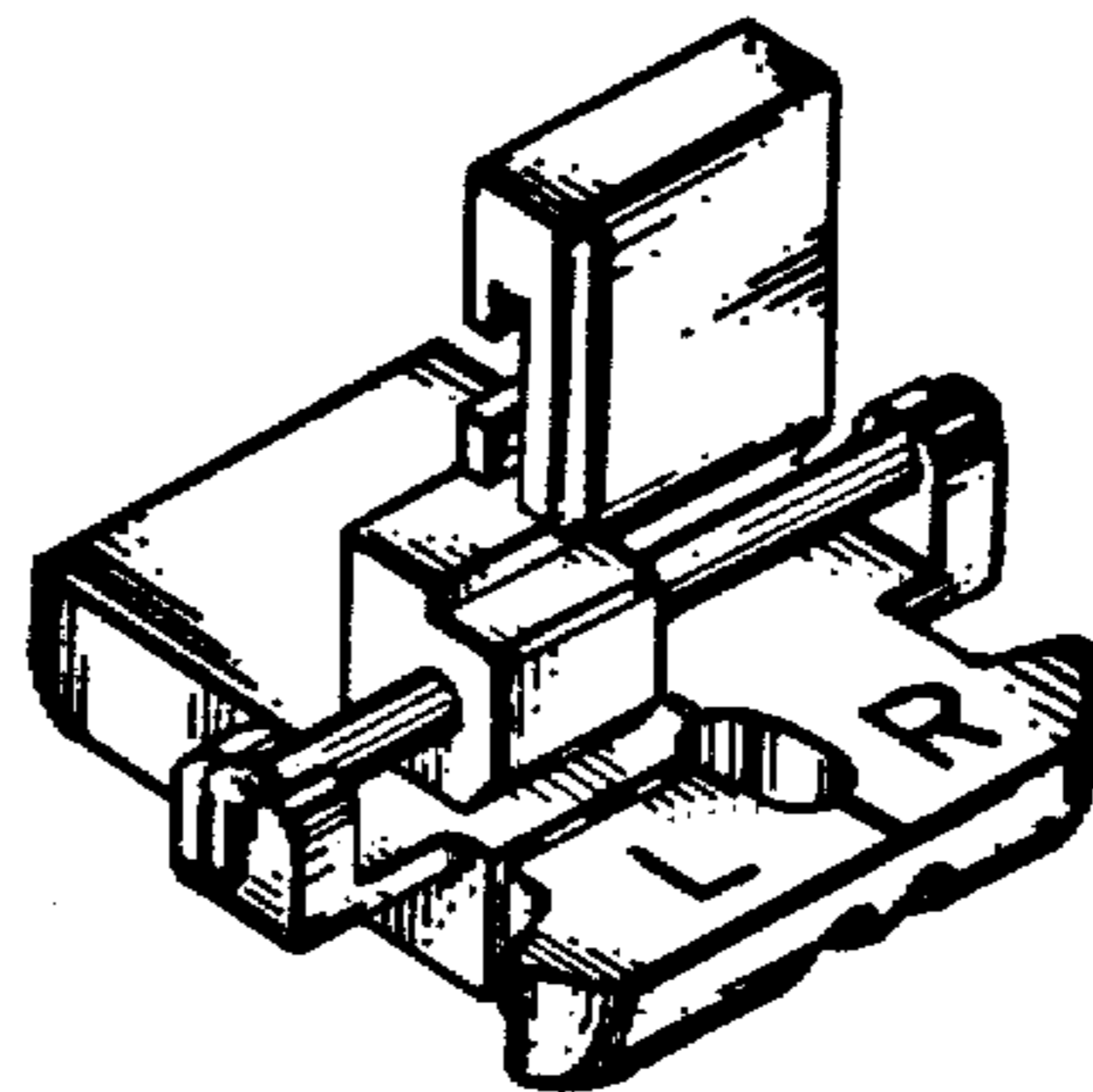


Fig. 1

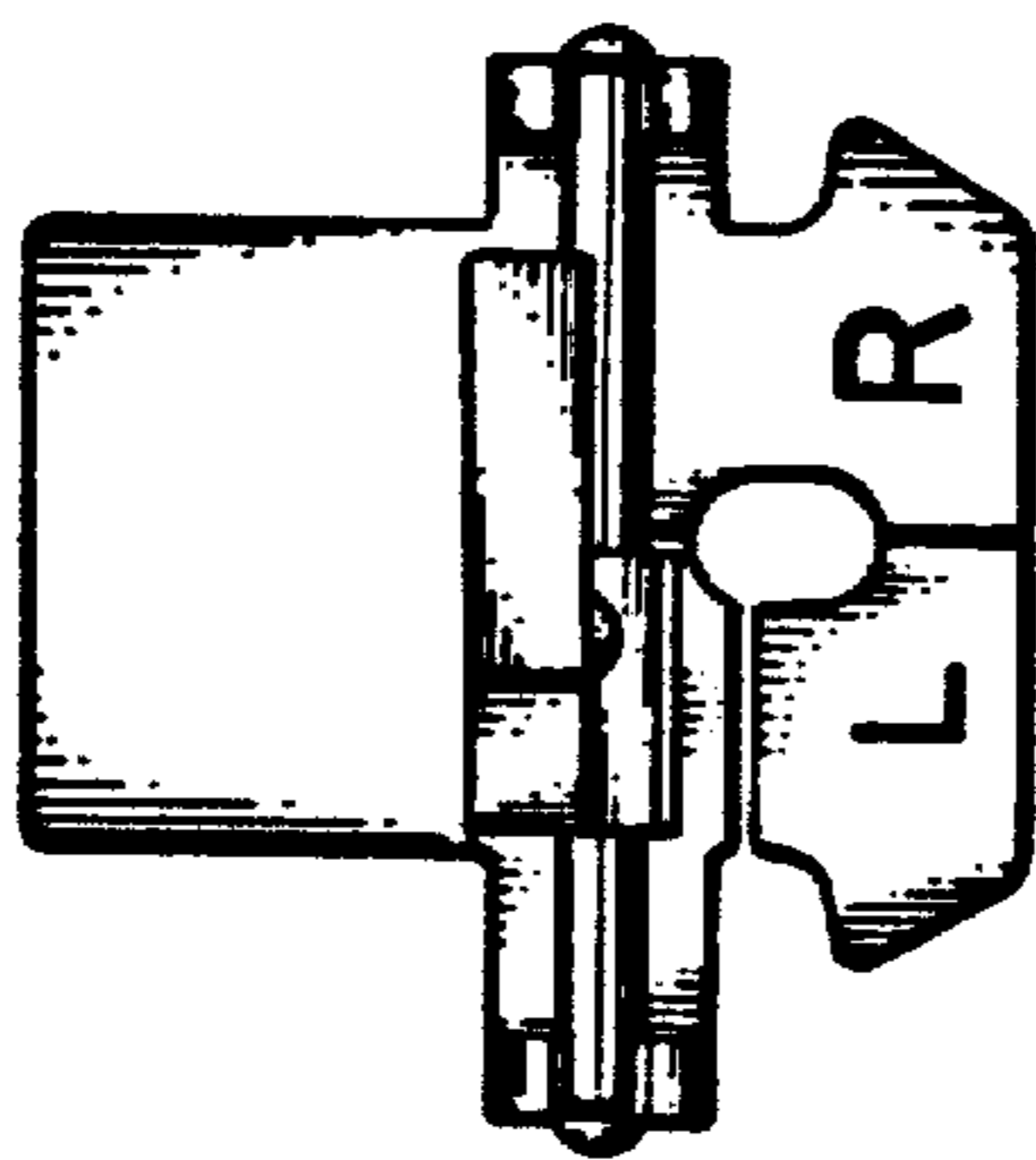


Fig. 2.

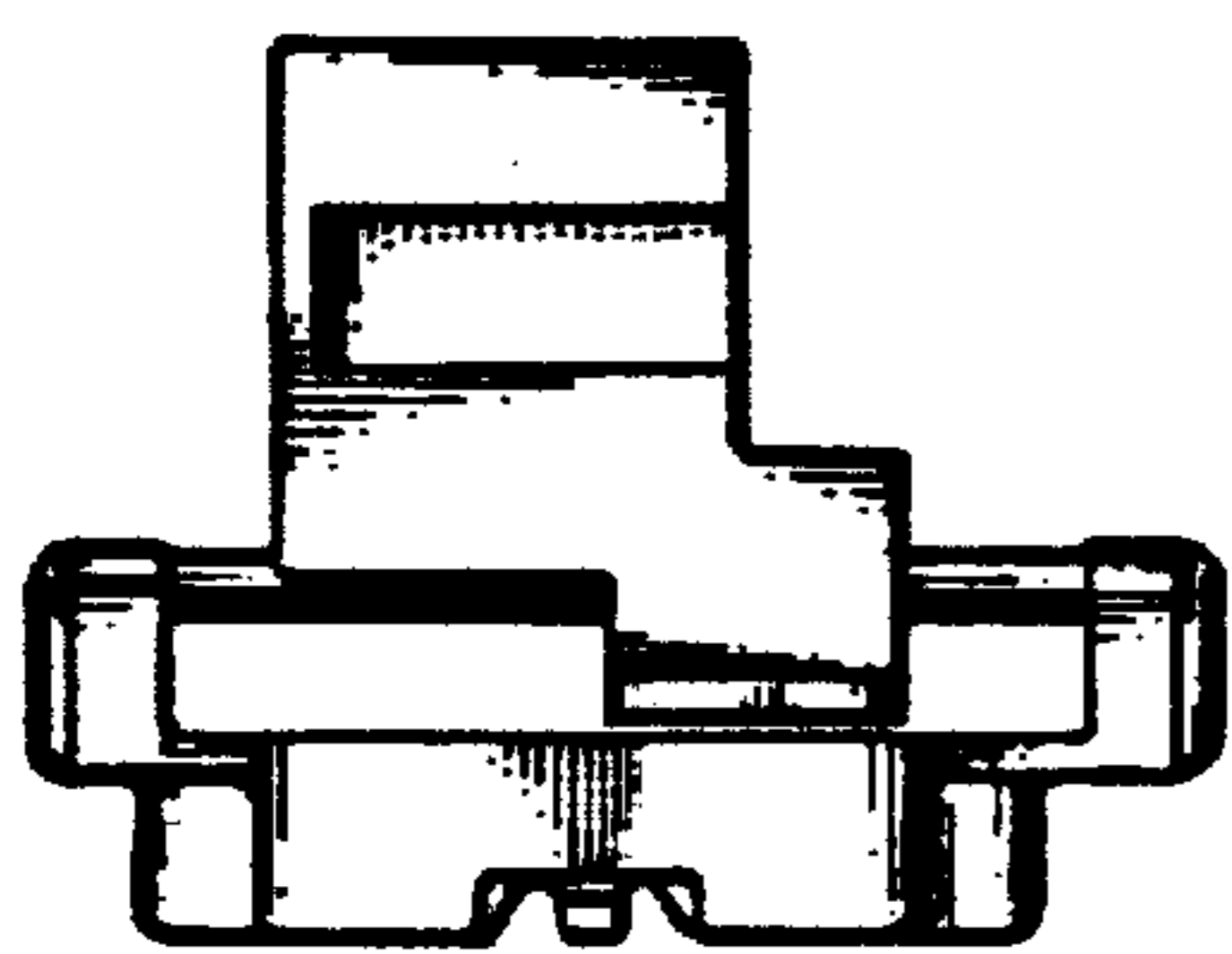


Fig. 5.

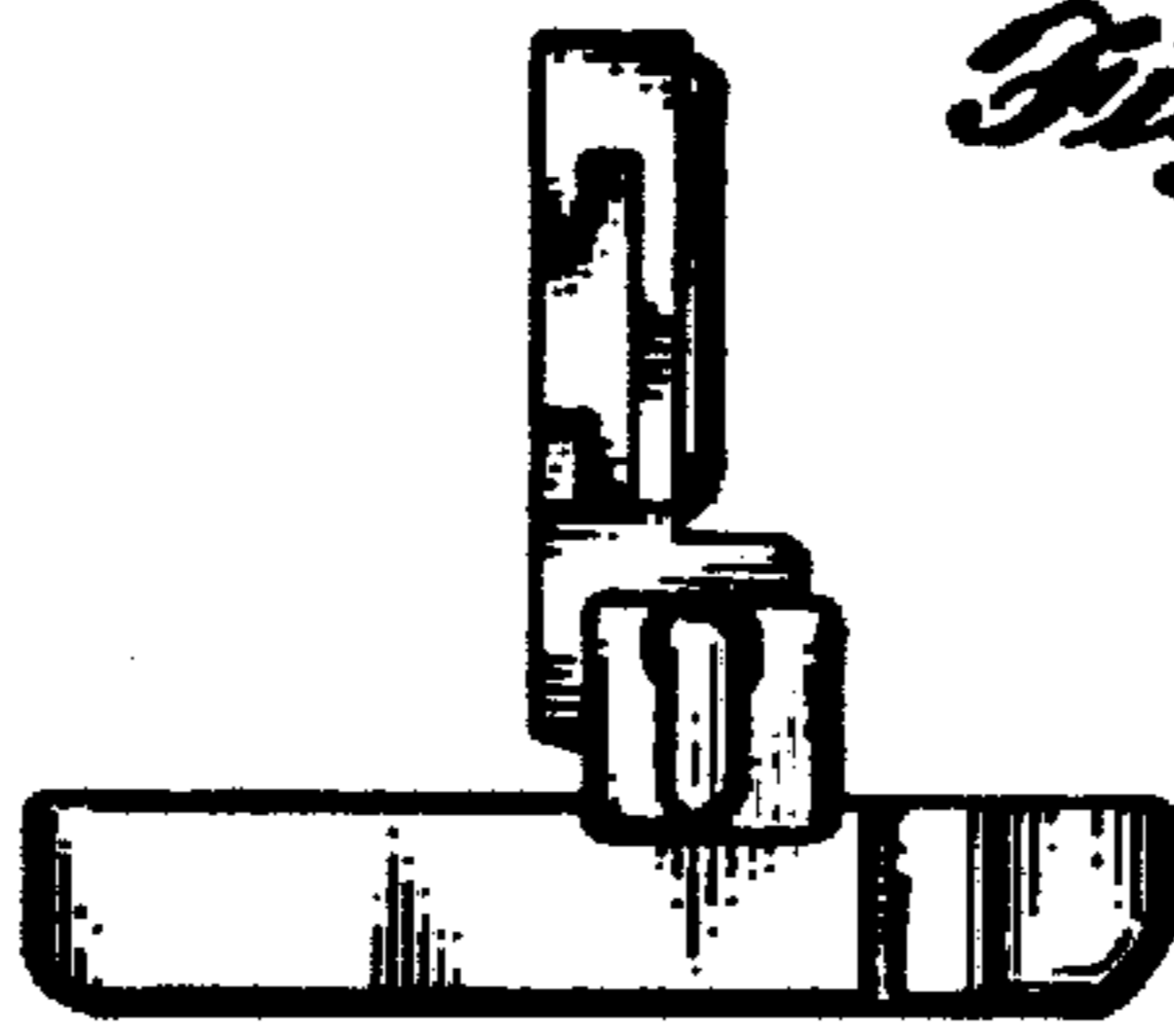


Fig. 3.

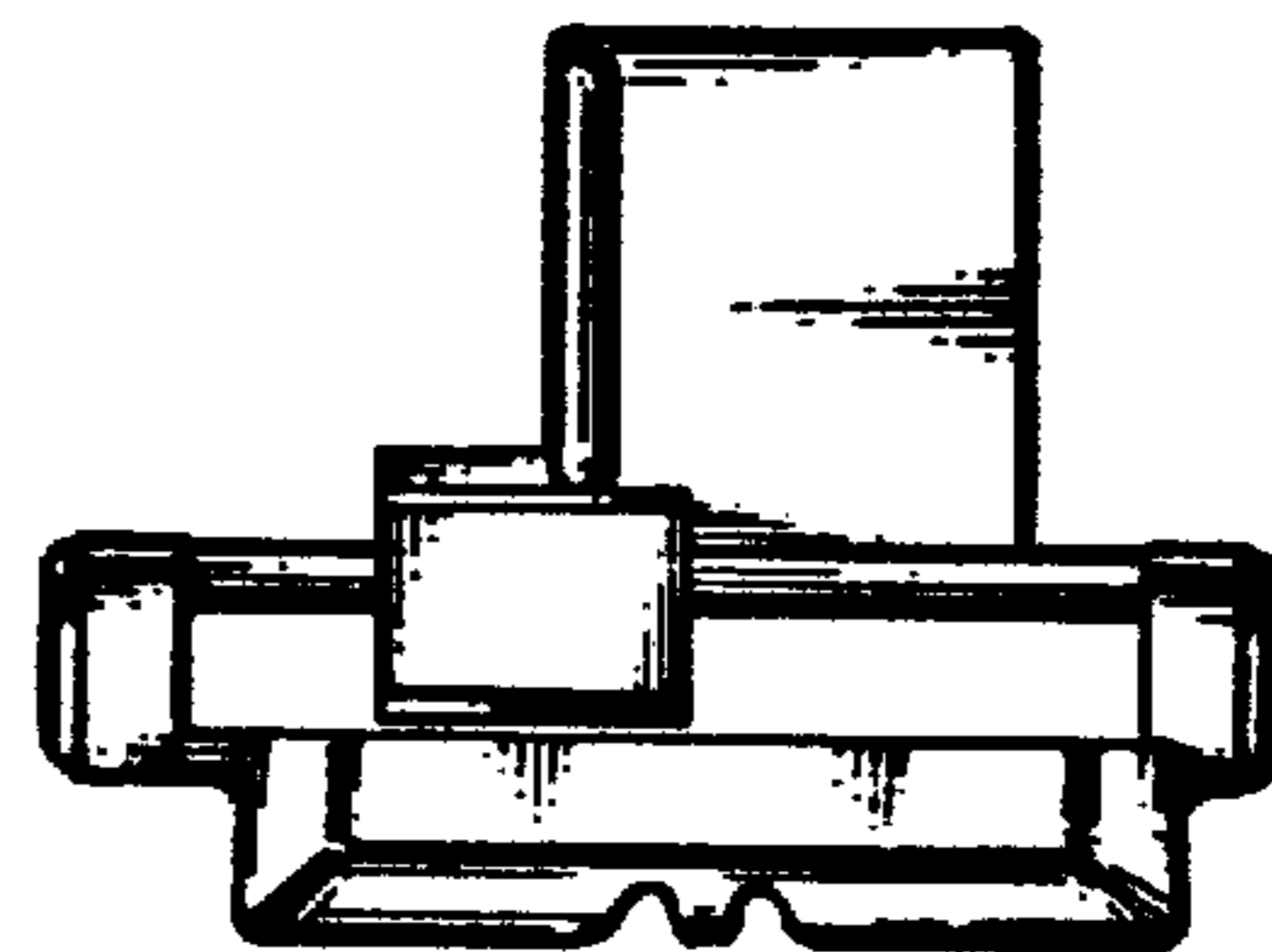


Fig. 4.

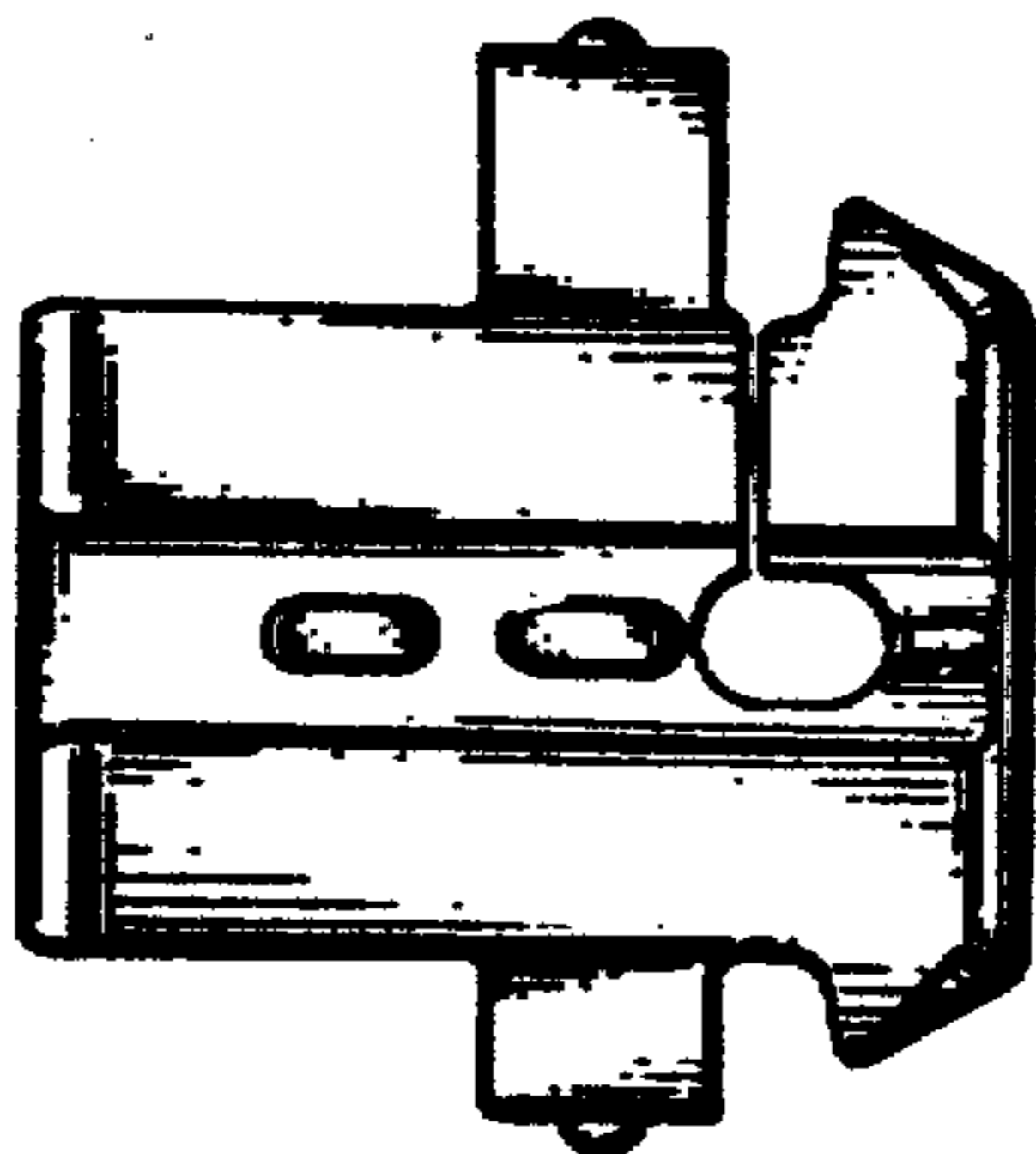


Fig. 6.