

[54] TIRE CHANGING APPARATUS OR SIMILAR ARTICLE

[75] Inventors: John F. Wood; Charles L. Cunningham, both of Nashville, Tenn.

[73] Assignee: The Coats Company, Inc., La Vergne, Tenn.

[**] Term: 14 Years

[21] Appl. No.: 626,076

[22] Filed: Oct. 28, 1975

[51] Int. Cl. D15-99

[52] U.S. Cl. D15/199

[58] Field of Search D54/13 R

[56]

References Cited

U.S. PATENT DOCUMENTS

D. 213,914 4/1969 Simpkins D54/13 R

Primary Examiner—Alan P. Douglas
Attorney, Agent, or Firm—Ernest A. Wegner

[57]

CLAIM

The ornamental design for a tire changing apparatus or similar article, as shown and described.

DESCRIPTION

FIG. 1 is a perspective view of the front, top and right sides of the tire changing apparatus;

FIG. 2 is a side elevation of the right side;

FIG. 3 is a side elevation of the left side;

FIG. 4 is an elevational view of the rear side; and

FIG. 5 is a plan view of the top.

The bottom or underside is plain and unornamented.

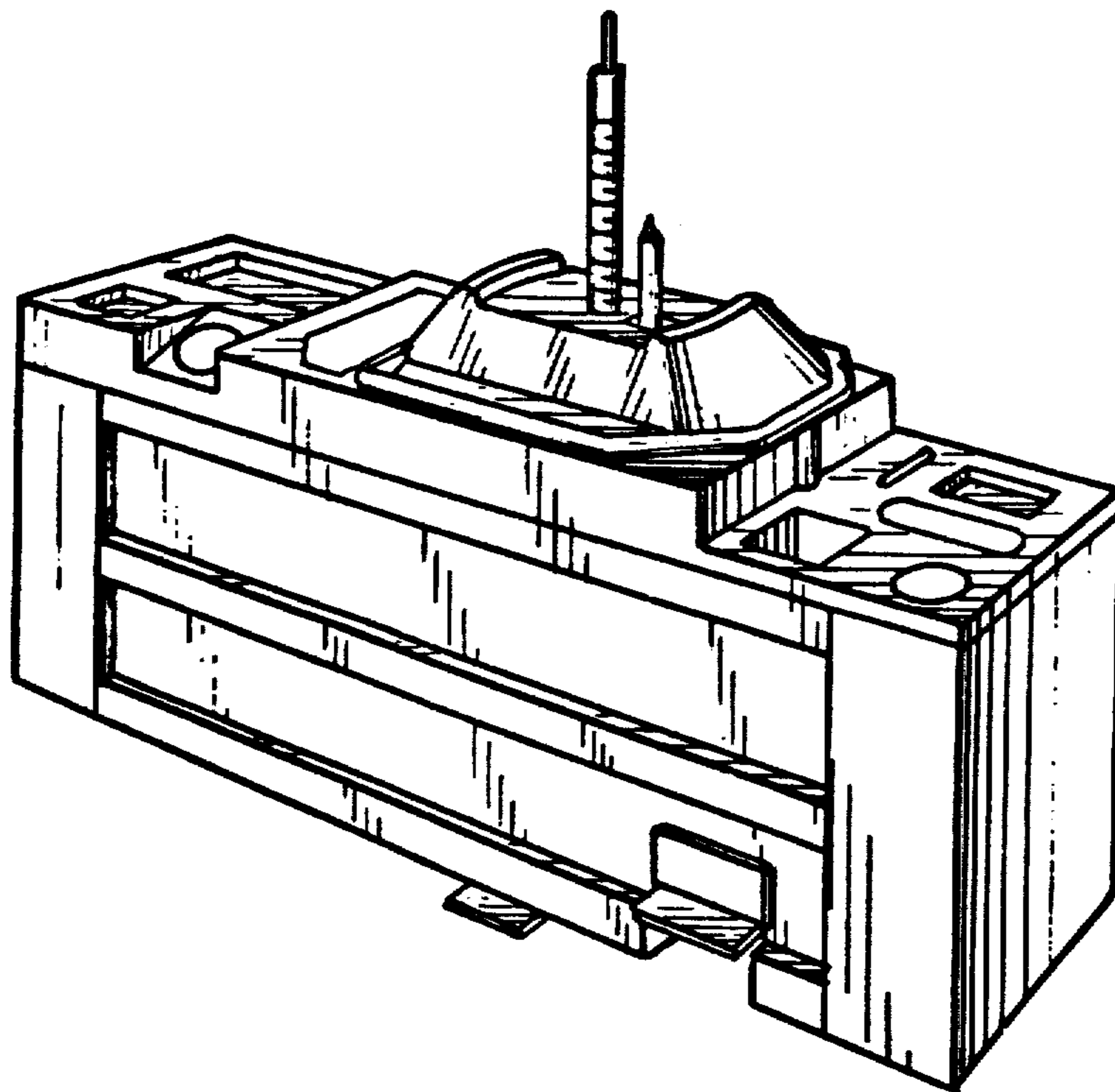


Fig. 1.

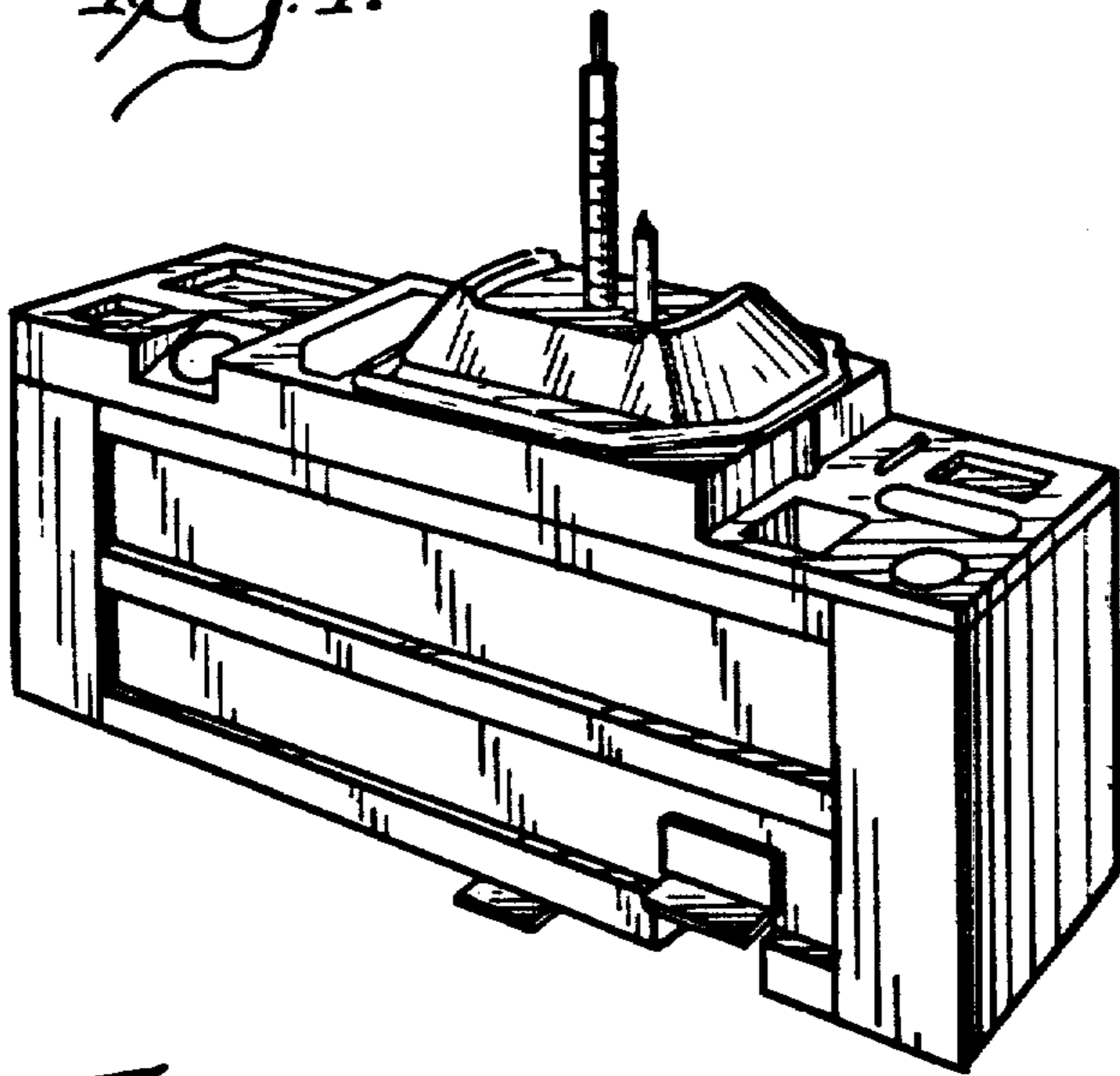


Fig. 2.

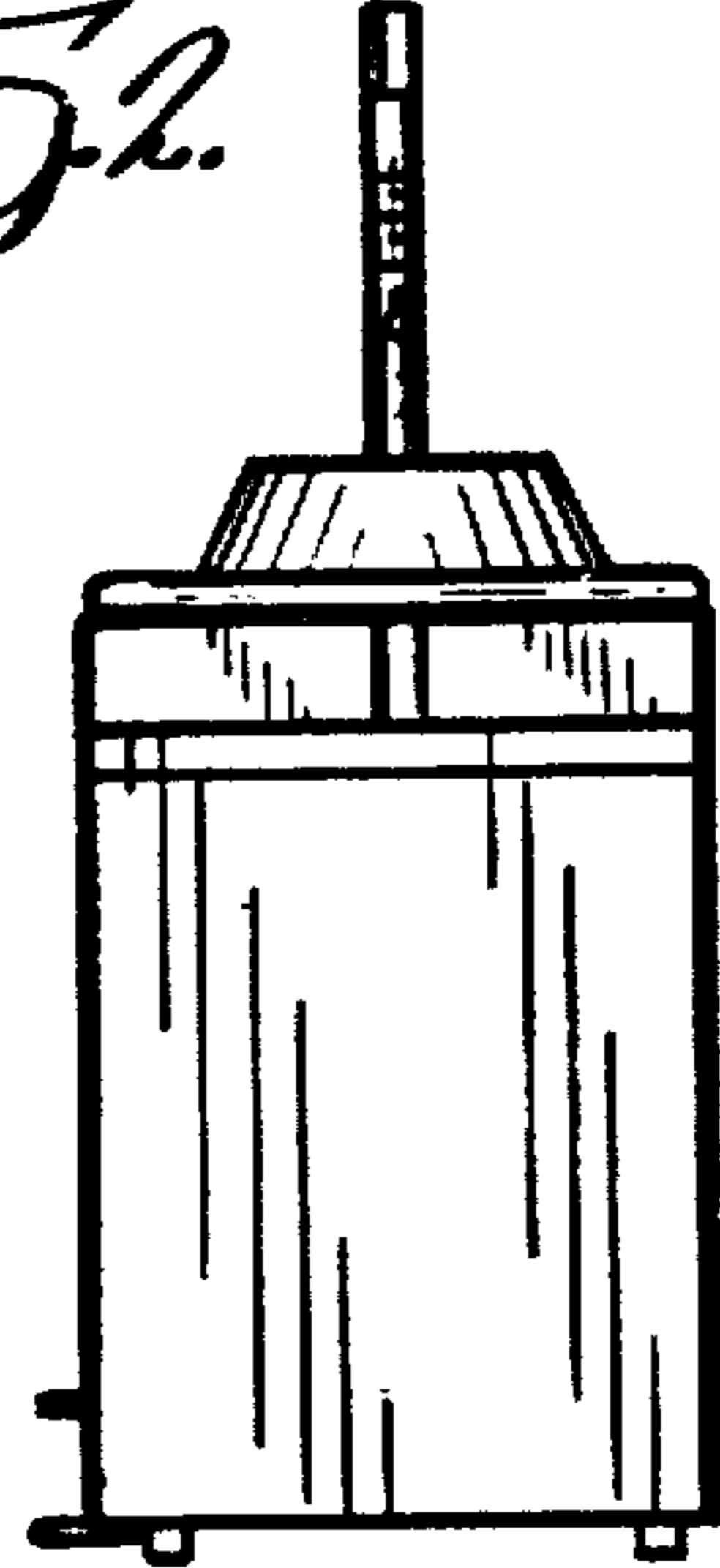


Fig. 3.

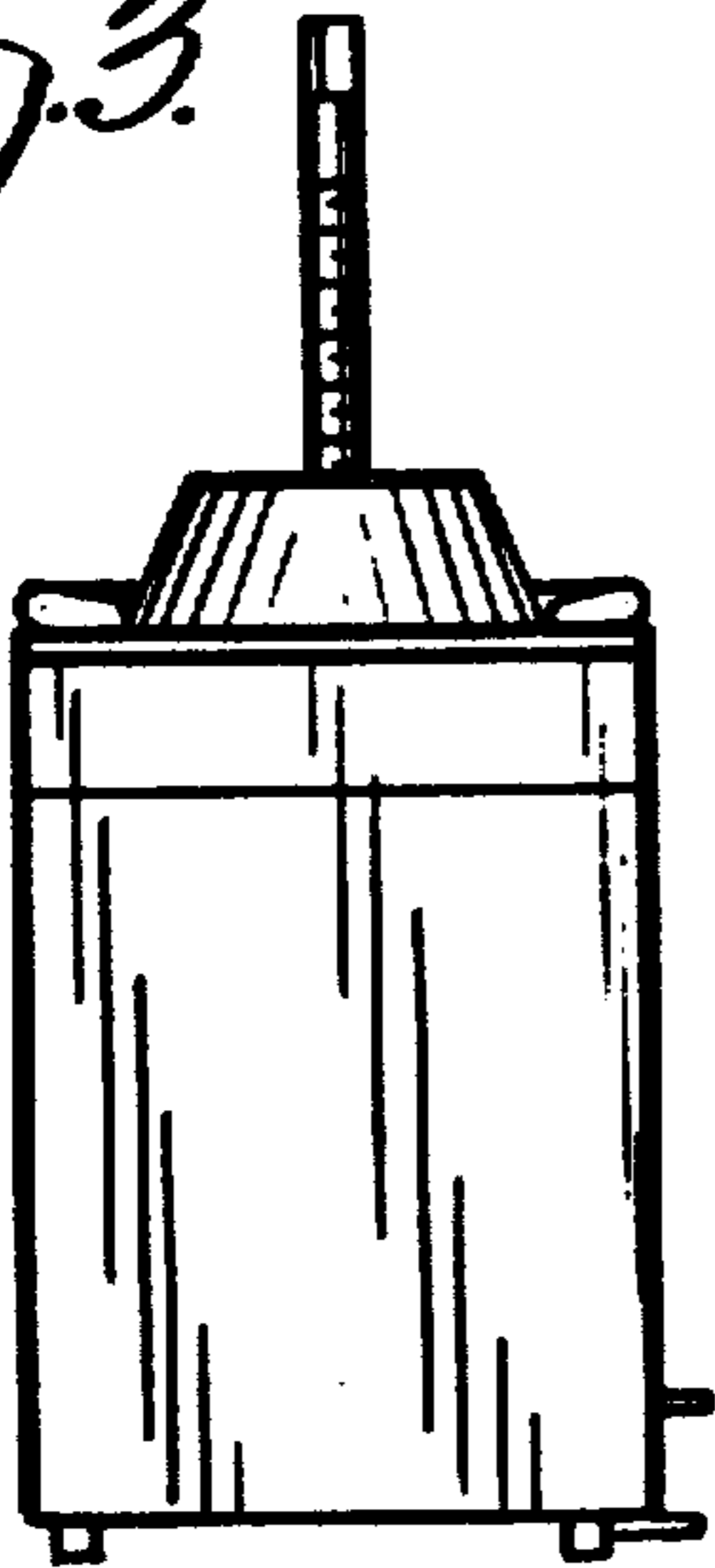


Fig. 4.

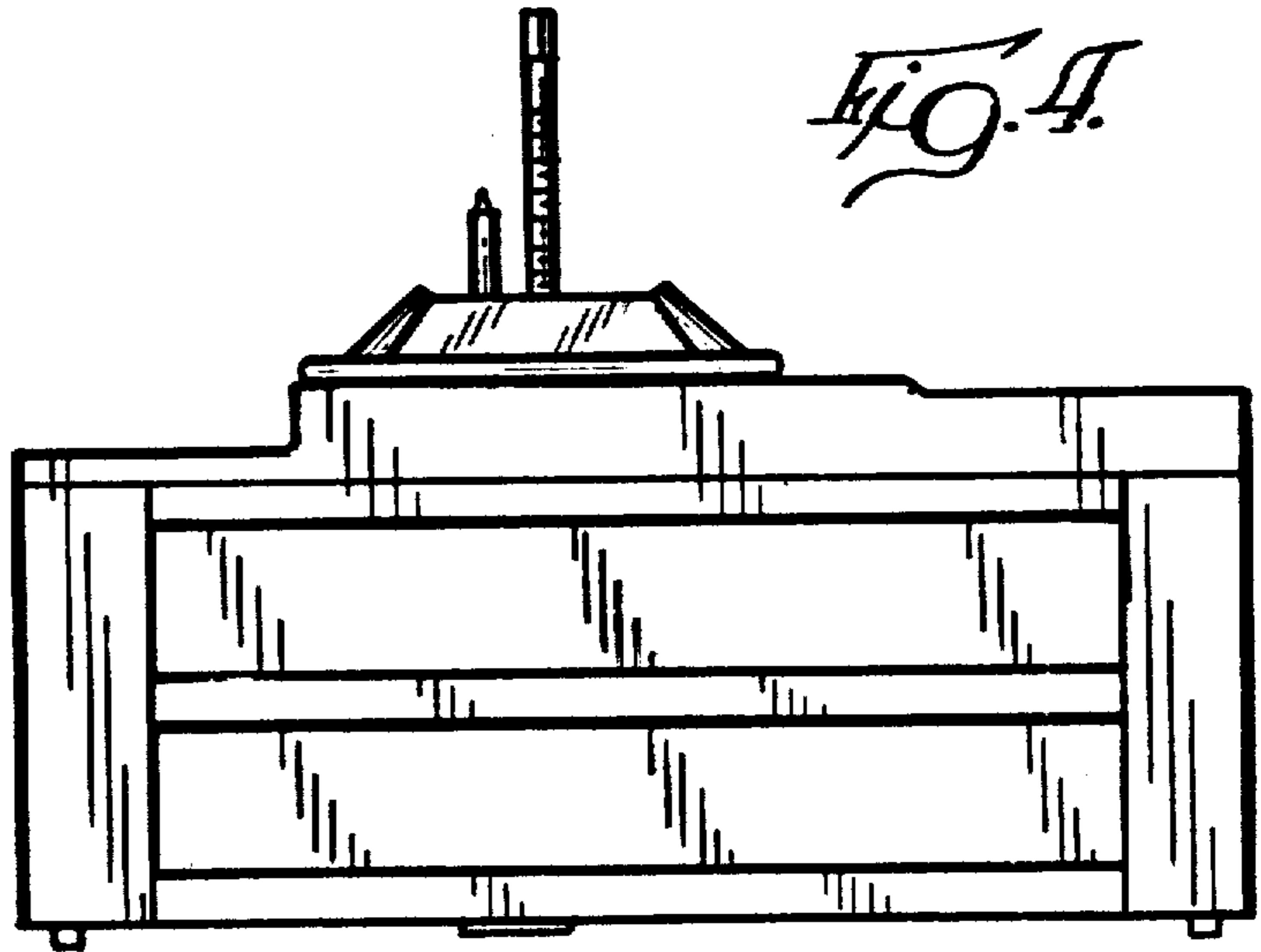


Fig. 5.

