

[54] DESK LAMP

[75] Inventor: René Neveux, Les Clayes-Sous-Bois, France

[73] Assignee: Societe Anonyme Francaise du Ferodo, Paris, France

[**] Term: 14 Years

[21] Appl. No.: 653,510

[22] Filed: Jan. 29, 1976

[30] Foreign Application Priority Data

Aug. 1, 1975 France 75.74082

[51] Int. Cl. D26-05

[52] U.S. Cl. D48/20 F

[58] Field of Search D48/20 R, 20 F, 20 G; 240/81 R, 81 C, 2 SL

[56] References Cited

U.S. PATENT DOCUMENTS

D. 186,904 12/1959 Mehr D48/20 F

OTHER PUBLICATIONS

Home Furnishings Daily, July 2, 1962, p. 1, Desk Lamp (top).

Modern Plastics, June 1954, p. 135, Table Lamp. Light and Lighting (England), Aug. 1964, p. 233, Lamp (bottom left).

Primary Examiner—Susie J. Mercer
Attorney, Agent, or Firm—Alvin Browdy

[57] CLAIM

The ornamental design for a desk lamp, as shown and described.

DESCRIPTION

FIG. 1 is a front elevation view of a desk lamp showing my new design;

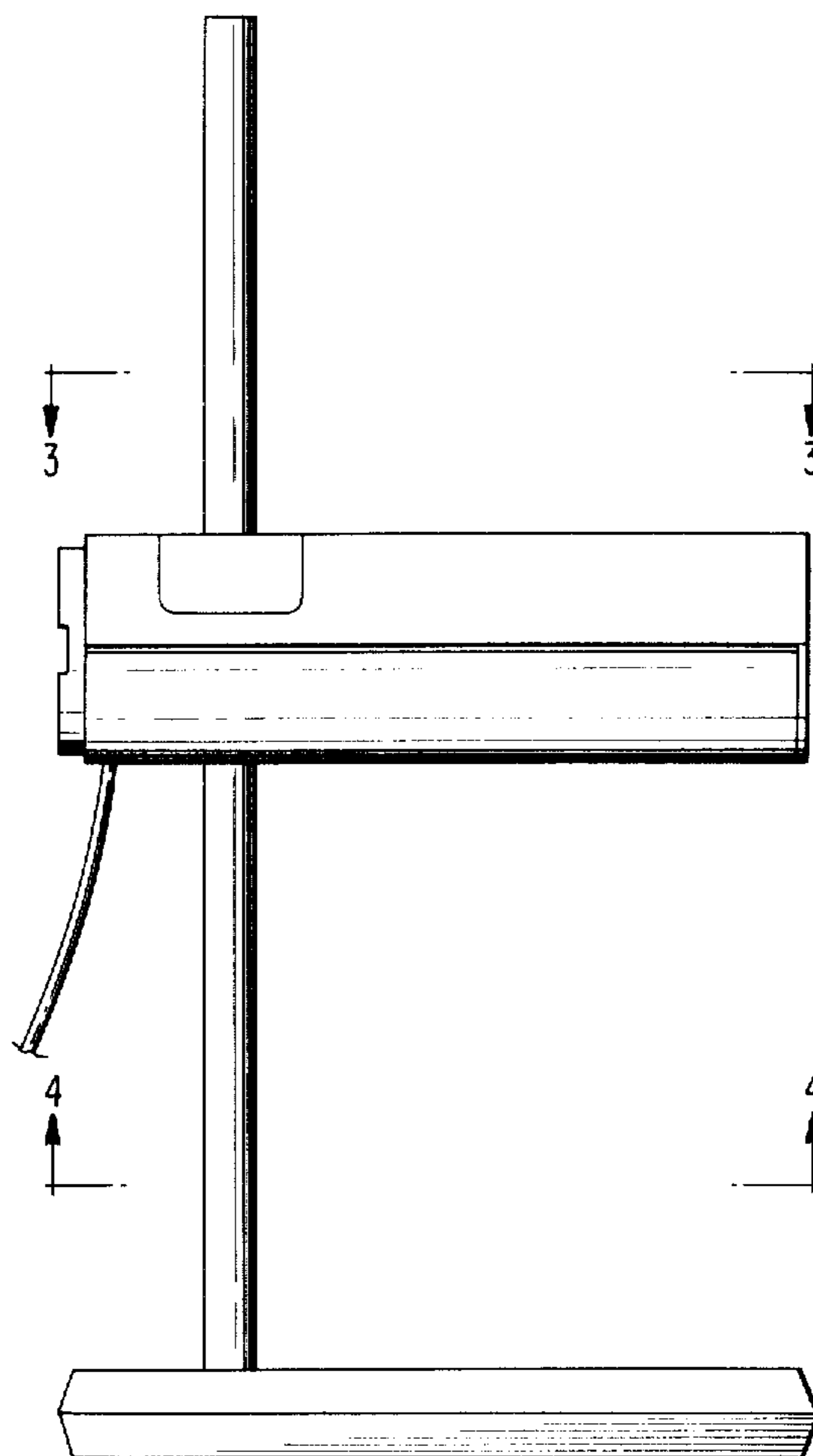
FIG. 2 is a left side elevational view thereof;

FIG. 3 is a sectional view taken along line 3—3 of FIG. 1;

FIG. 4 is a sectional view taken along line 4—4 of FIG. 1 the bulb being shown in broken lines for illustrative purposes only;

FIG. 5 is a perspective view thereof from the front side; and

FIG. 6 is a perspective view thereof from the rear side.



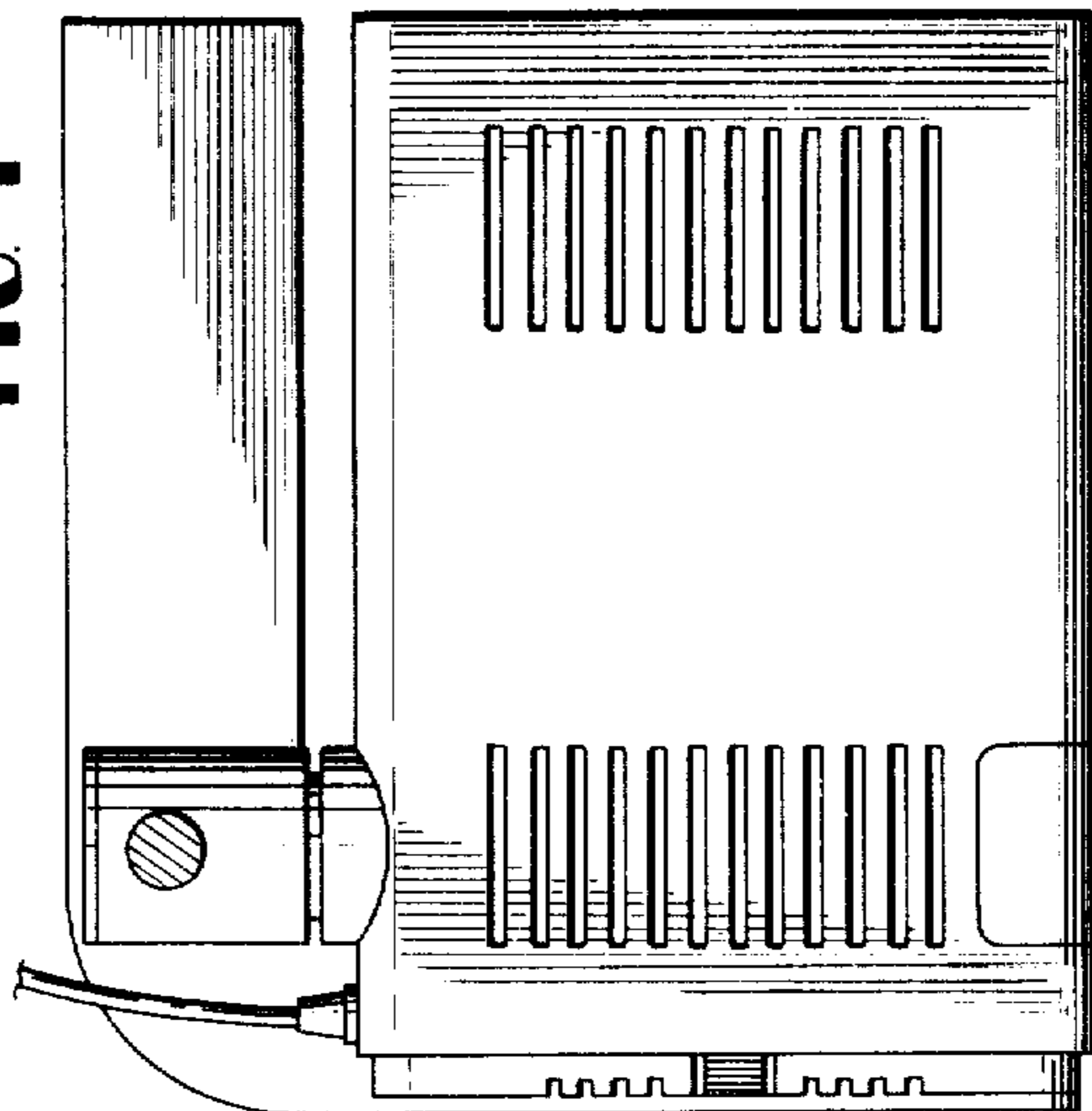
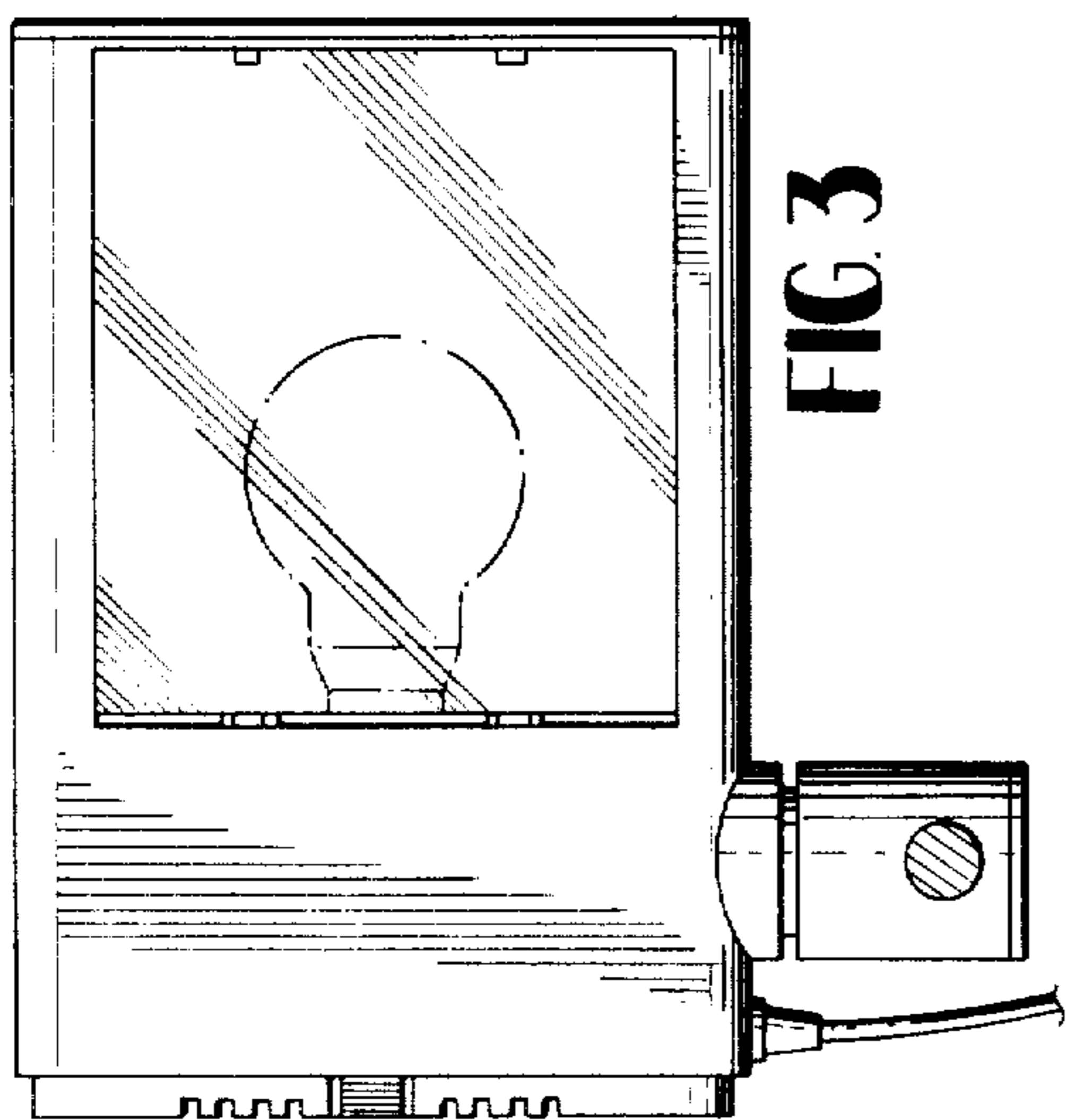


FIG 2

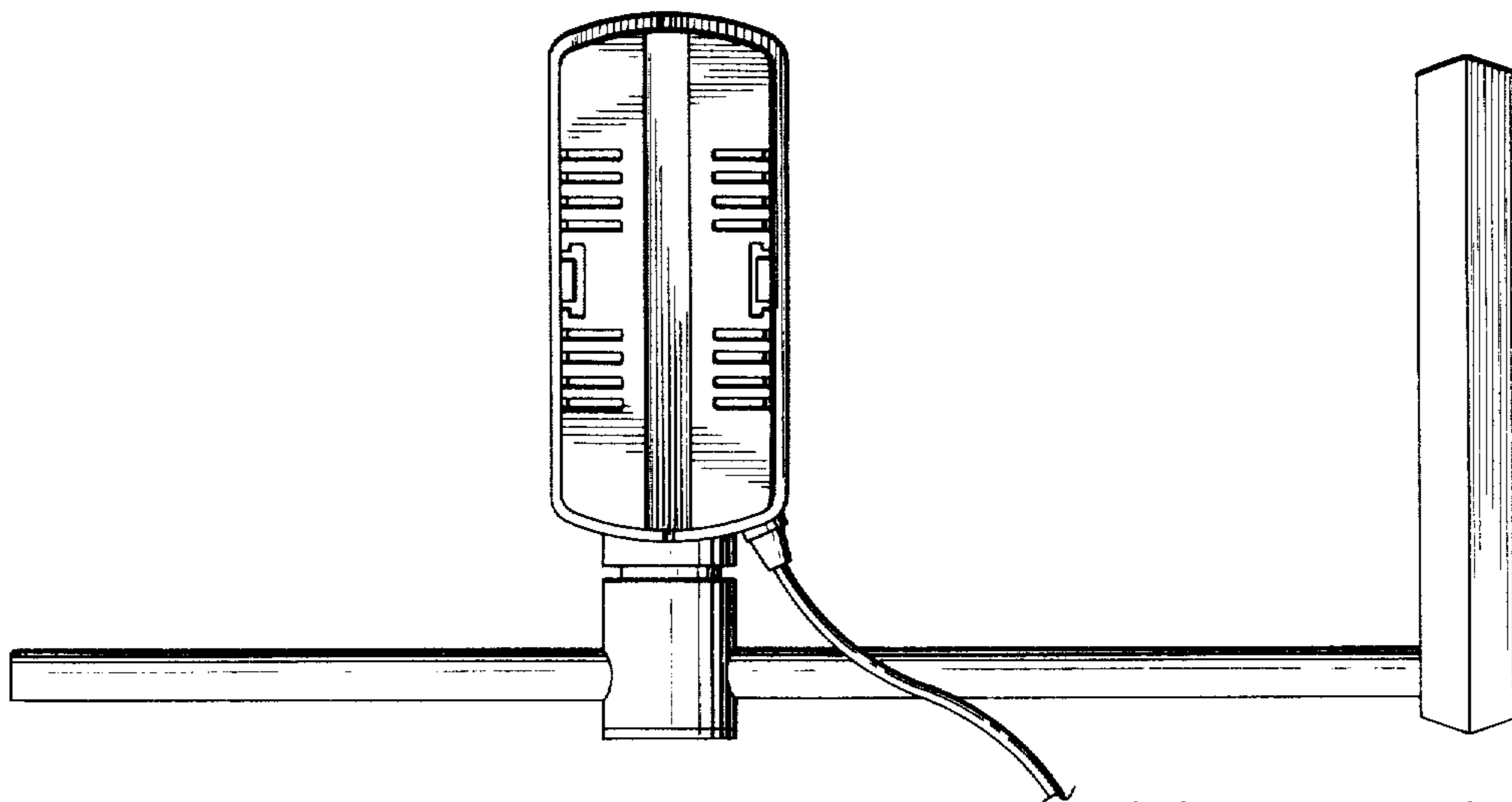
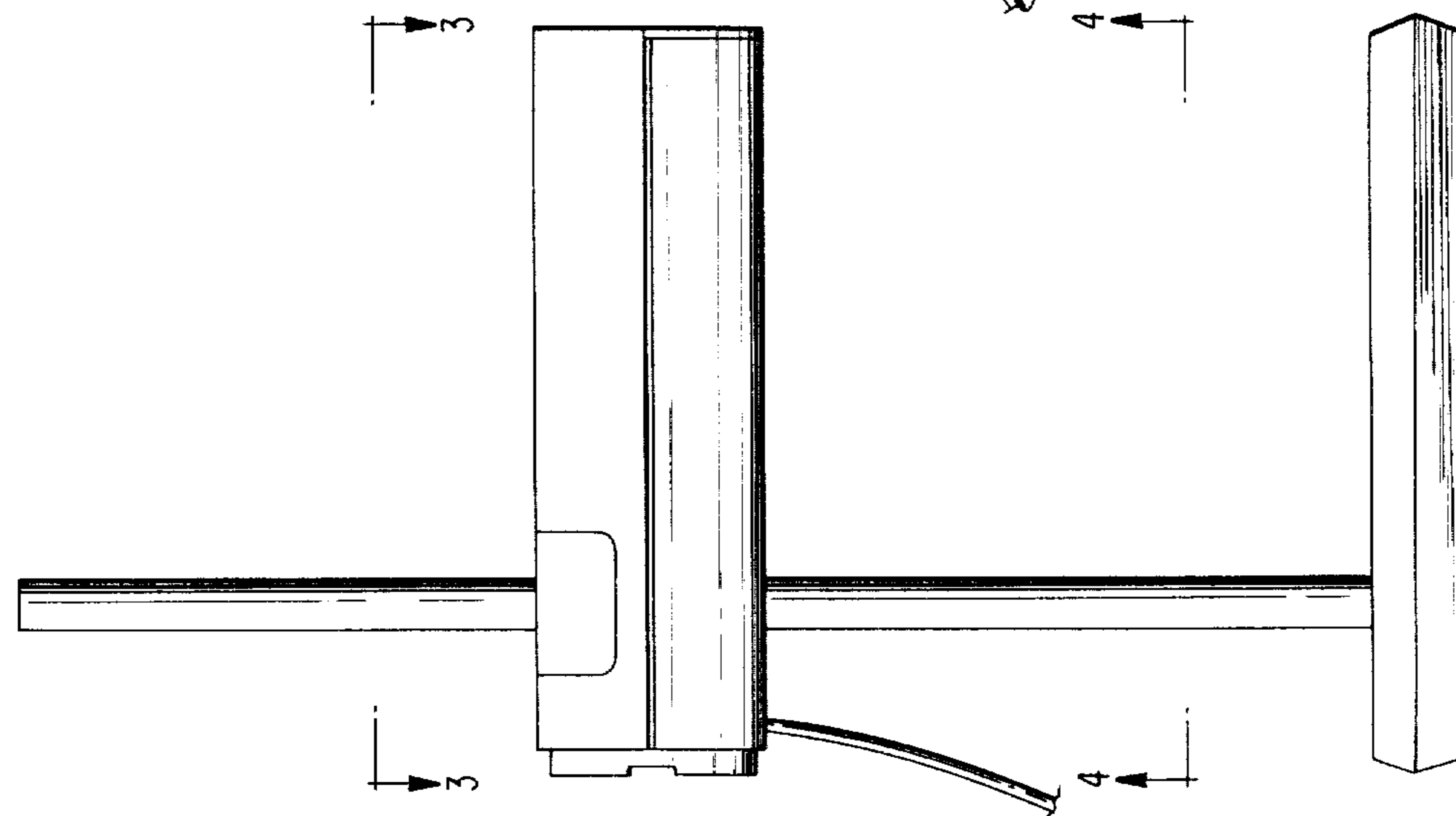


FIG 1



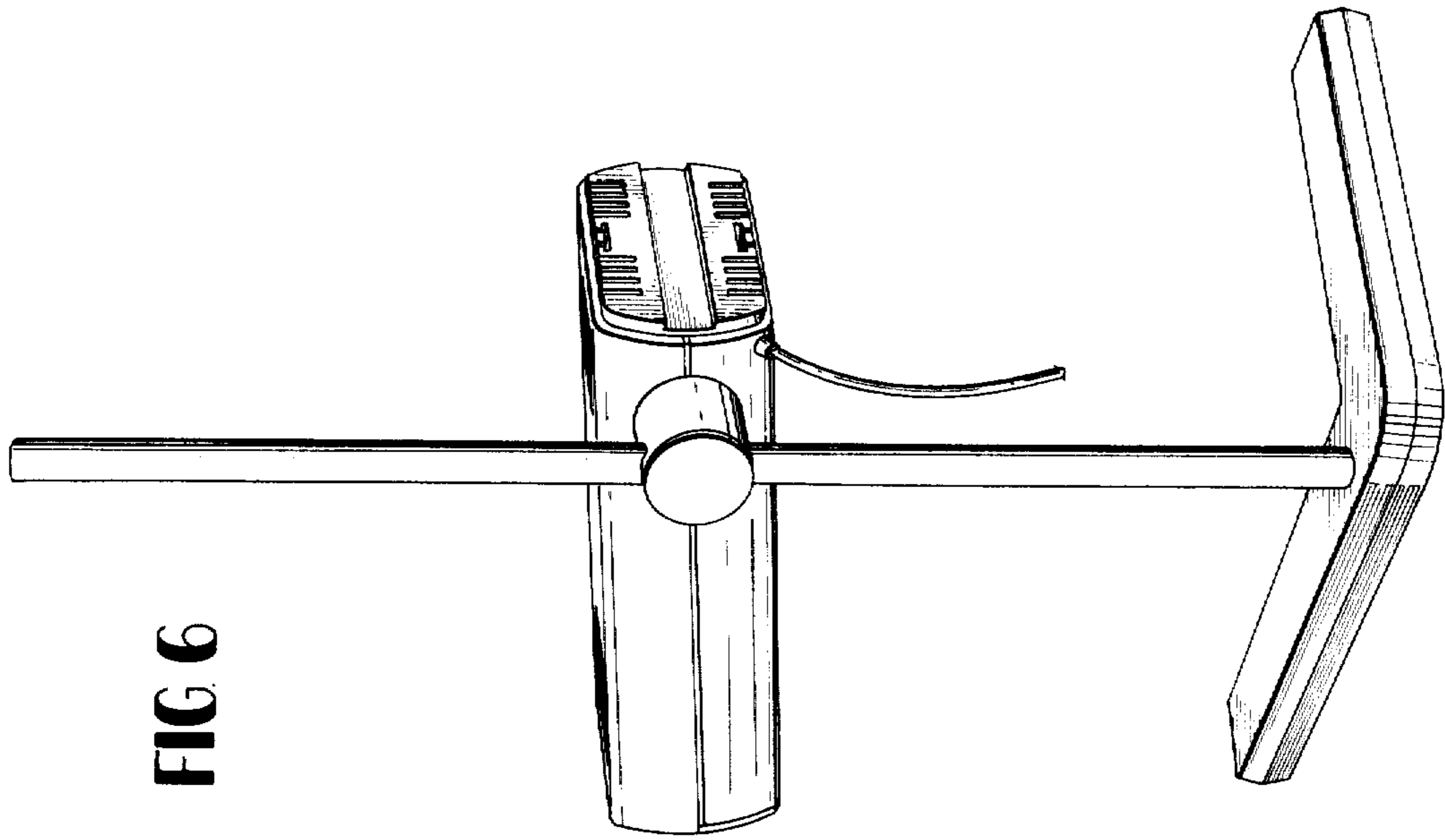


FIG 6

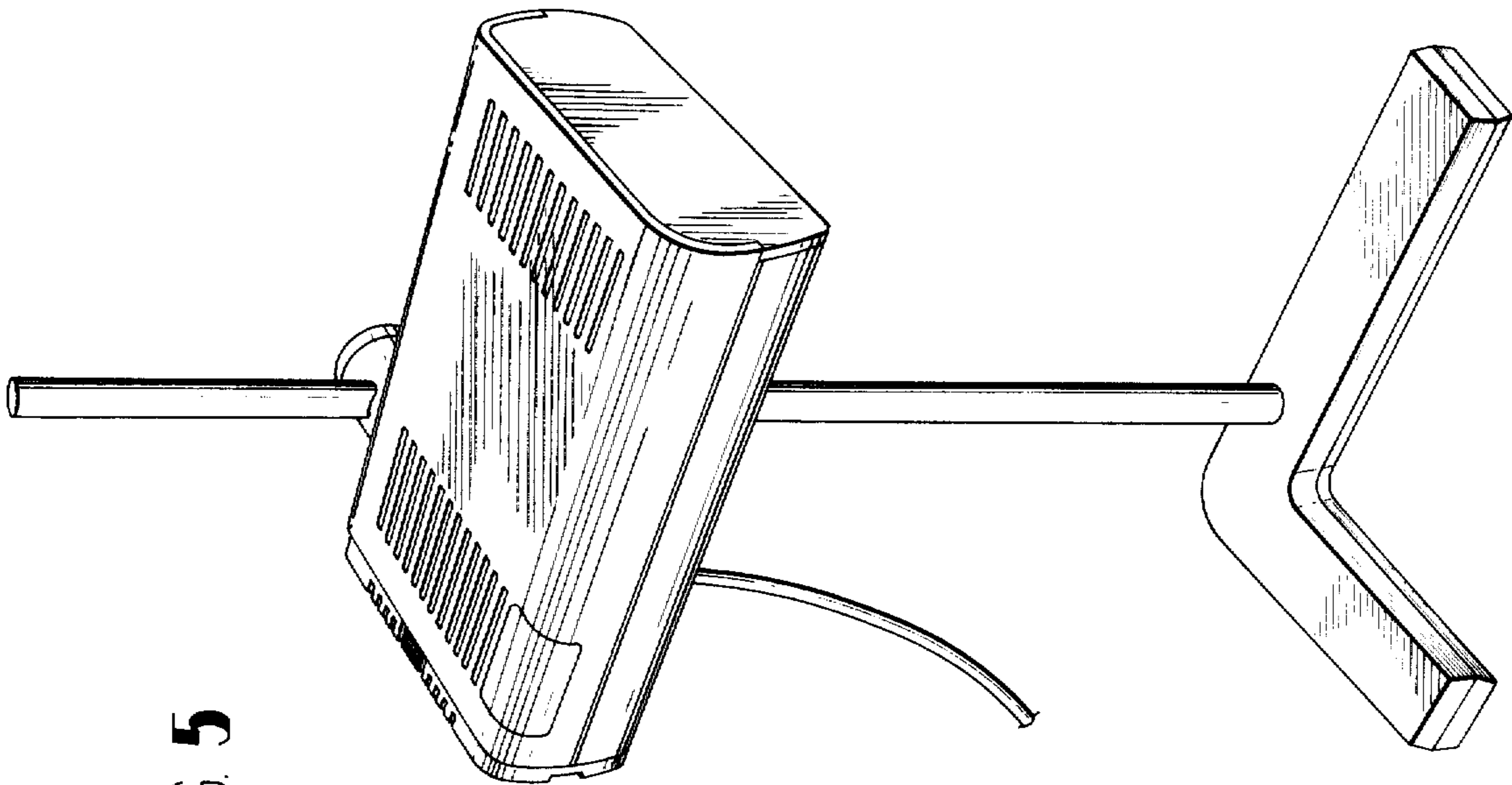


FIG 5