

[54] COMBINED LIGHT AND VASE STANDARD

[75] Inventor: Alton T. Shippee, Monroe, Mich.

[73] Assignee: The Shippee Corporation, Monroe, Mich.

[\*\*] Term: 14 Years

[21] Appl. No.: 623,603

[22] Filed: Oct. 20, 1975

[51] Int. Cl. .... D26-05; D11-02

[52] U.S. Cl. .... D48/20 R

[58] Field of Search ..... D48/20 R, 20 A, 20 B, D48/20 E, 2; D73/1 R; D29/28 R, 28 B; D35/3 C, 3 B; D6/85, 177, 20, 27; 240/81 R, 81 BS, 10 R, 13; 431/289, 291, 295; 248/127, 176, 346

[56] References Cited

U.S. PATENT DOCUMENTS

1,846,878	2/1932	Kopp	.....	D29/28 B
D. 63,582	12/1923	Phillips	.....	D6/177
D. 82,607	11/1930	Holzworth	.....	D6/182

D. 94,812 3/1935 Cantor ..... D6/182

OTHER PUBLICATIONS

Hugh Lyons & Co. Merchants Guide for Display Fixtures, 1927, p. 135, Pedestal No. 2715.

Primary Examiner—Susie J. Mercer  
Attorney, Agent, or Firm—Winston E. Miller

[57] CLAIM

The ornamental design for a light and vase standard, as shown and described.

DESCRIPTION

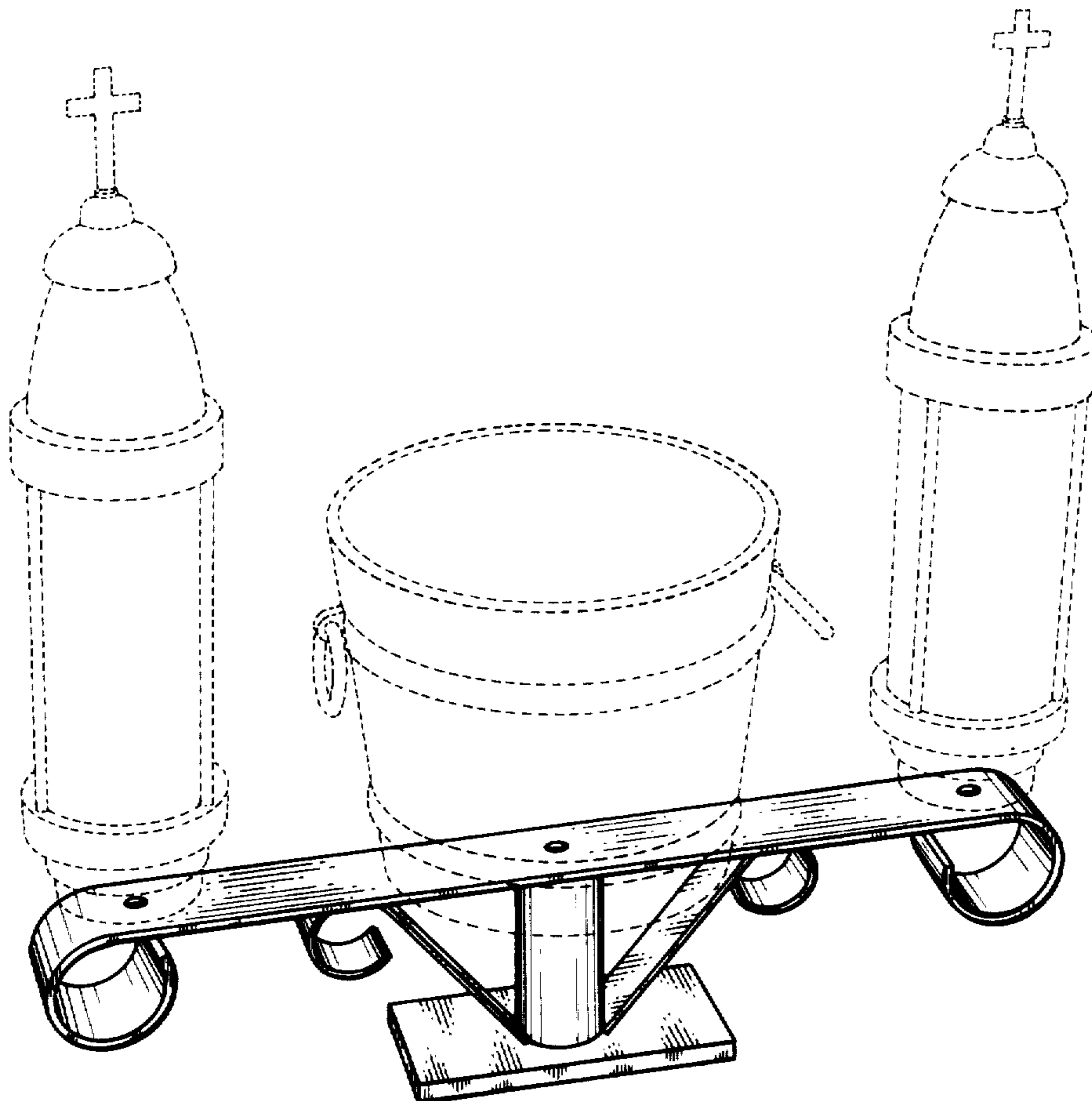
FIG. 1 is a perspective view of a light and vase standard showing my new design. The broken lines are for purposes of illustration only.

FIG. 2 is a front elevation view thereof, the opposite side being a mirror image thereof.

FIG. 3 is a top plan view thereof.

FIG. 4 is a bottom plan view thereof.

FIG. 5 is a side elevational view thereof, the opposite side being a mirror image.



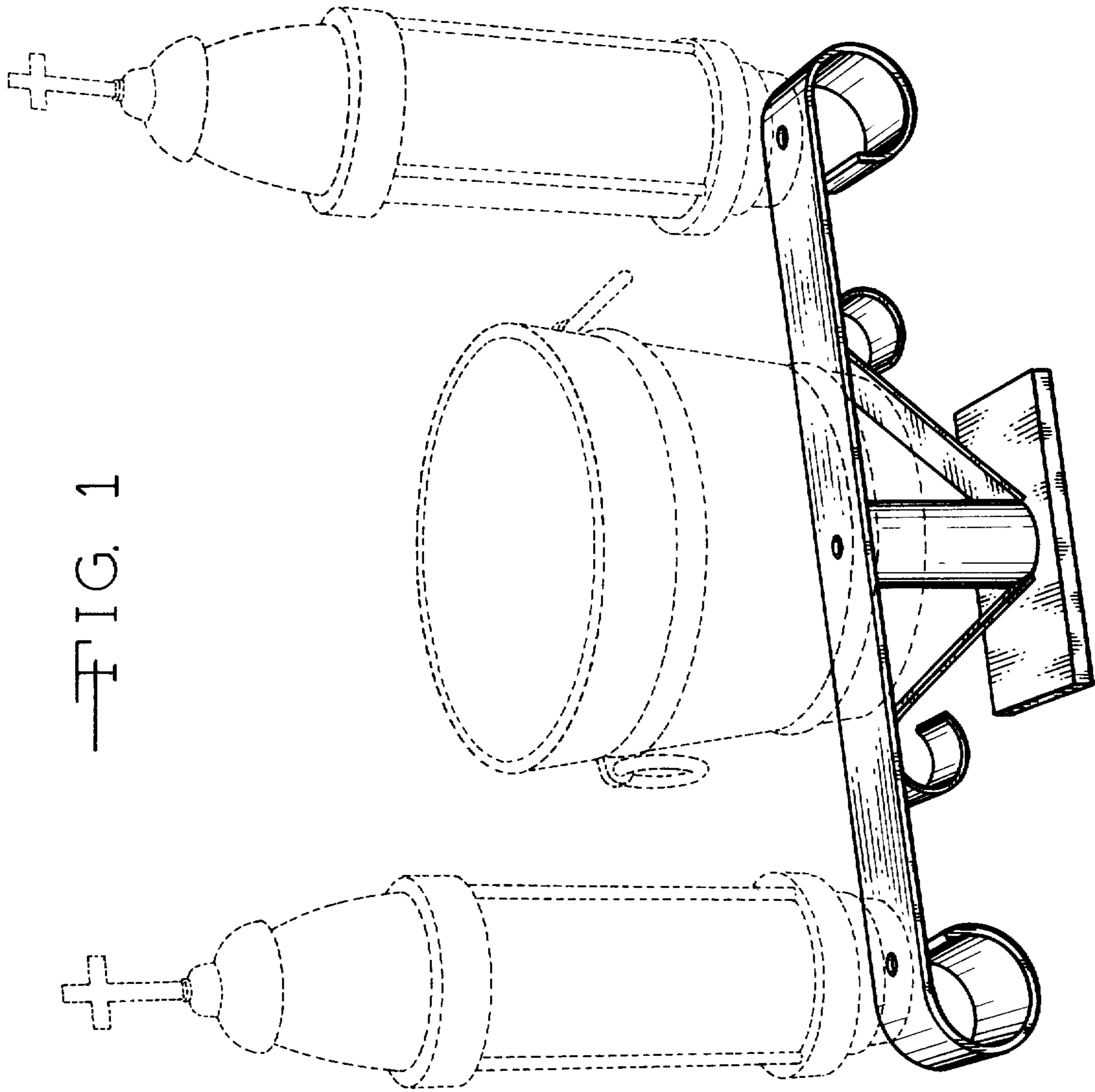
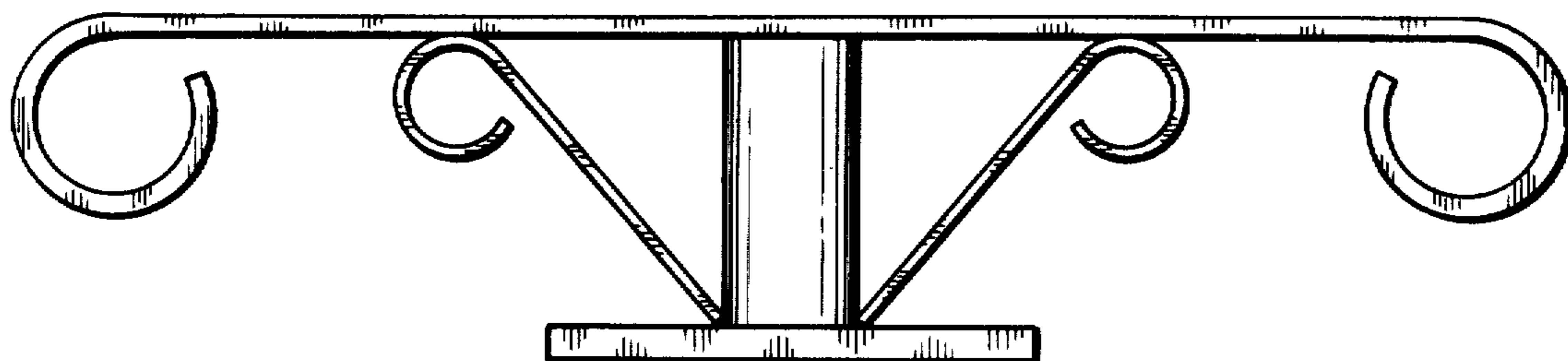
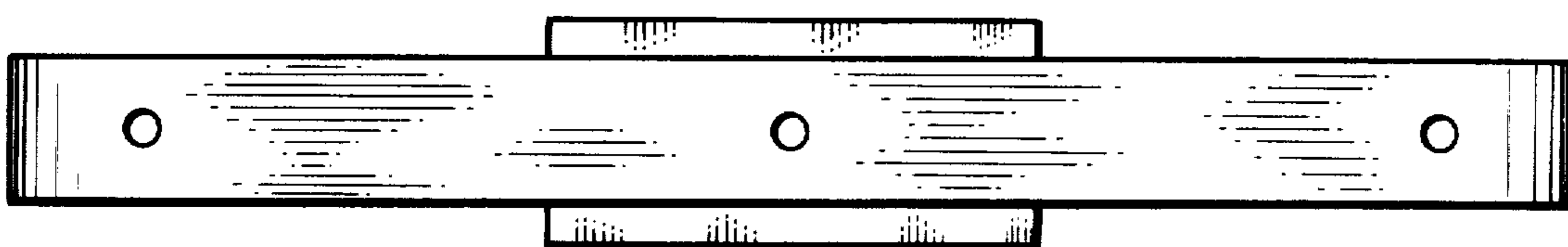


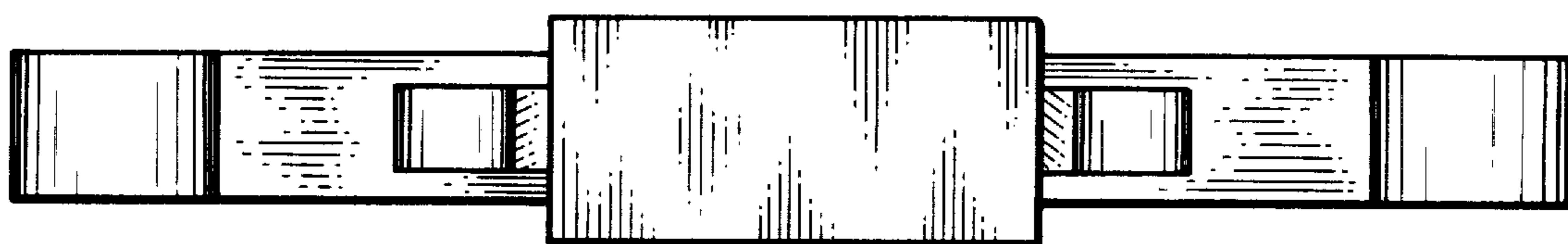
FIG. 1



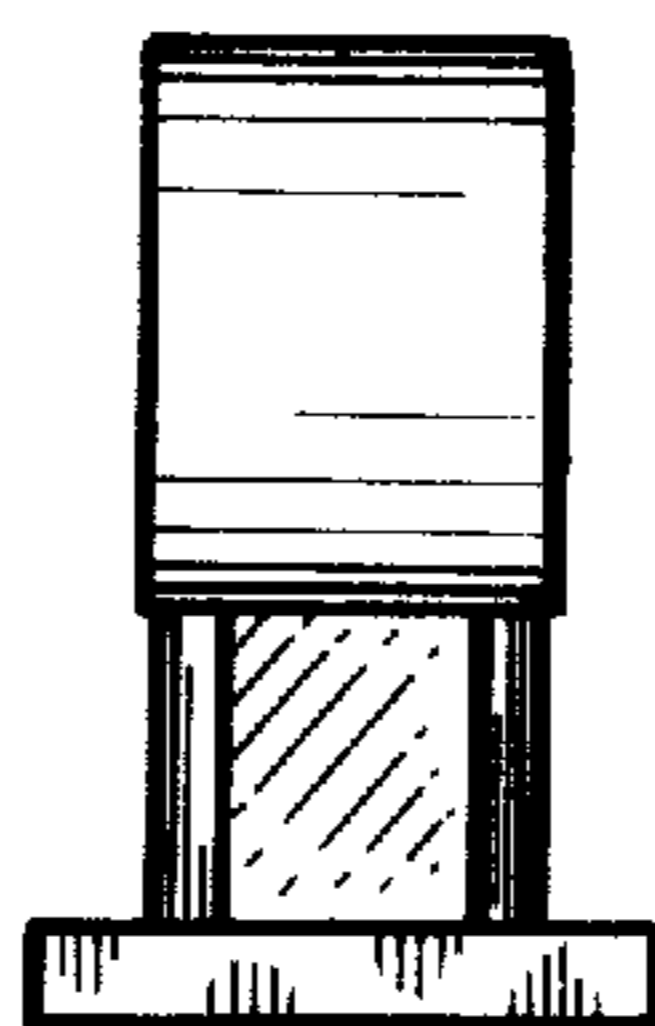
—FIG. 2



—FIG. 3



—FIG. 4



—FIG. 5