

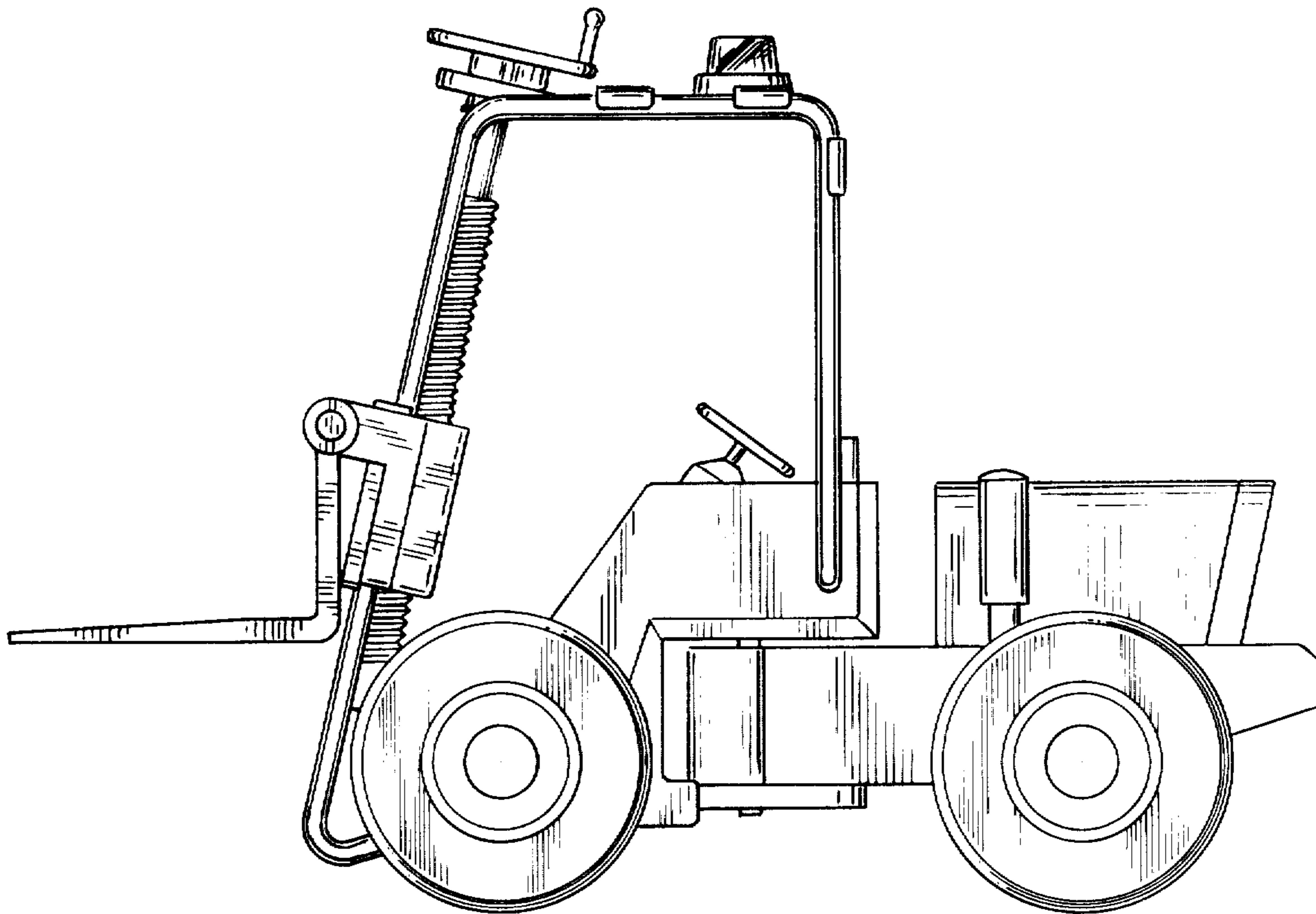
[54] TOY FORK LIFT VEHICLE
 [75] Inventor: **Vernon A. Peterson**, Minneapolis, Minn.
 [73] Assignee: **Tonka Corporation**, Hopkins, Minn.
 [**] Term: **14 Years**
 [21] Appl. No.: **574,261**
 [22] Filed: **May 5, 1975**
 [51] Int. Cl. **D21-01**
 [52] U.S. Cl. **D34/15 AJ**
 [58] Field of Search **D34/15 AJ, 15 D, 15 S, D34/15 AE, 15 AN, 15 AT; 46/201, 210, 217, 222, 221, 115, 118, 40**

D. 236,642 9/1975 Fahrendorff D34/15 AJ
Primary Examiner—Joel Stearman
Assistant Examiner—C. A. Rademaker
Attorney, Agent, or Firm—Douglas L. Carlsen

[57] **CLAIM**
 The ornamental design for a toy fork lift vehicle, as shown and described.

DESCRIPTION
 FIG. 1 is a top plan view of a toy fork lift vehicle showing my new design.
 FIG. 2 is a left side elevational view thereof.
 FIG. 3 is a front elevational view thereof shown on a slightly enlarged scale.
 FIG. 4 is a rear elevational view thereof.
 The right side elevational view is substantially a mirror image of what is shown in FIG. 4. The undisclosed bottom of the design is substantially plain and unornamented.

[56] **References Cited**
U.S. PATENT DOCUMENTS
 2,601,930 7/1952 Druge et al. 46/40
 3,731,423 5/1973 Cuhel 46/40
 D. 230,495 2/1974 Wolf D34/15 D



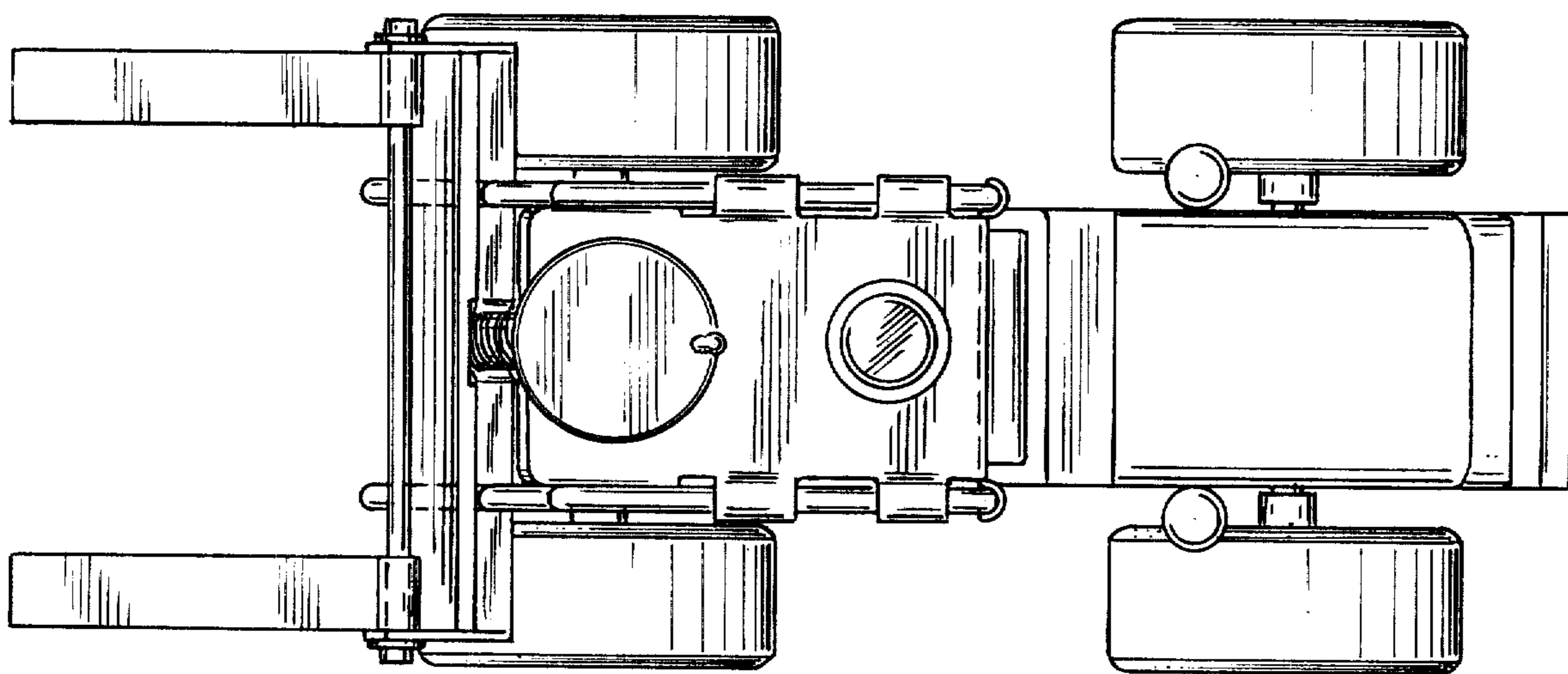


FIG. 1

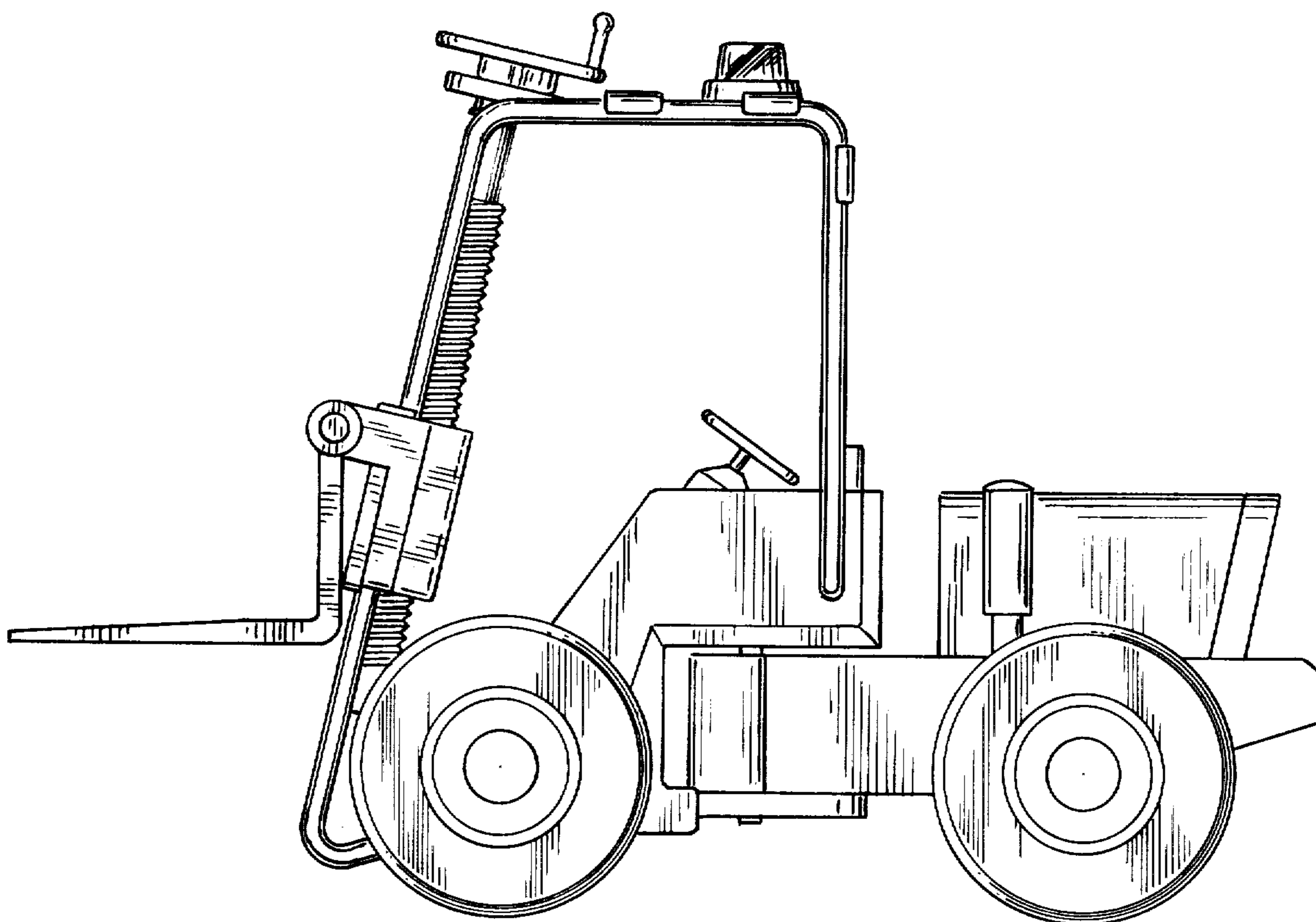


FIG. 2

FIG. 4

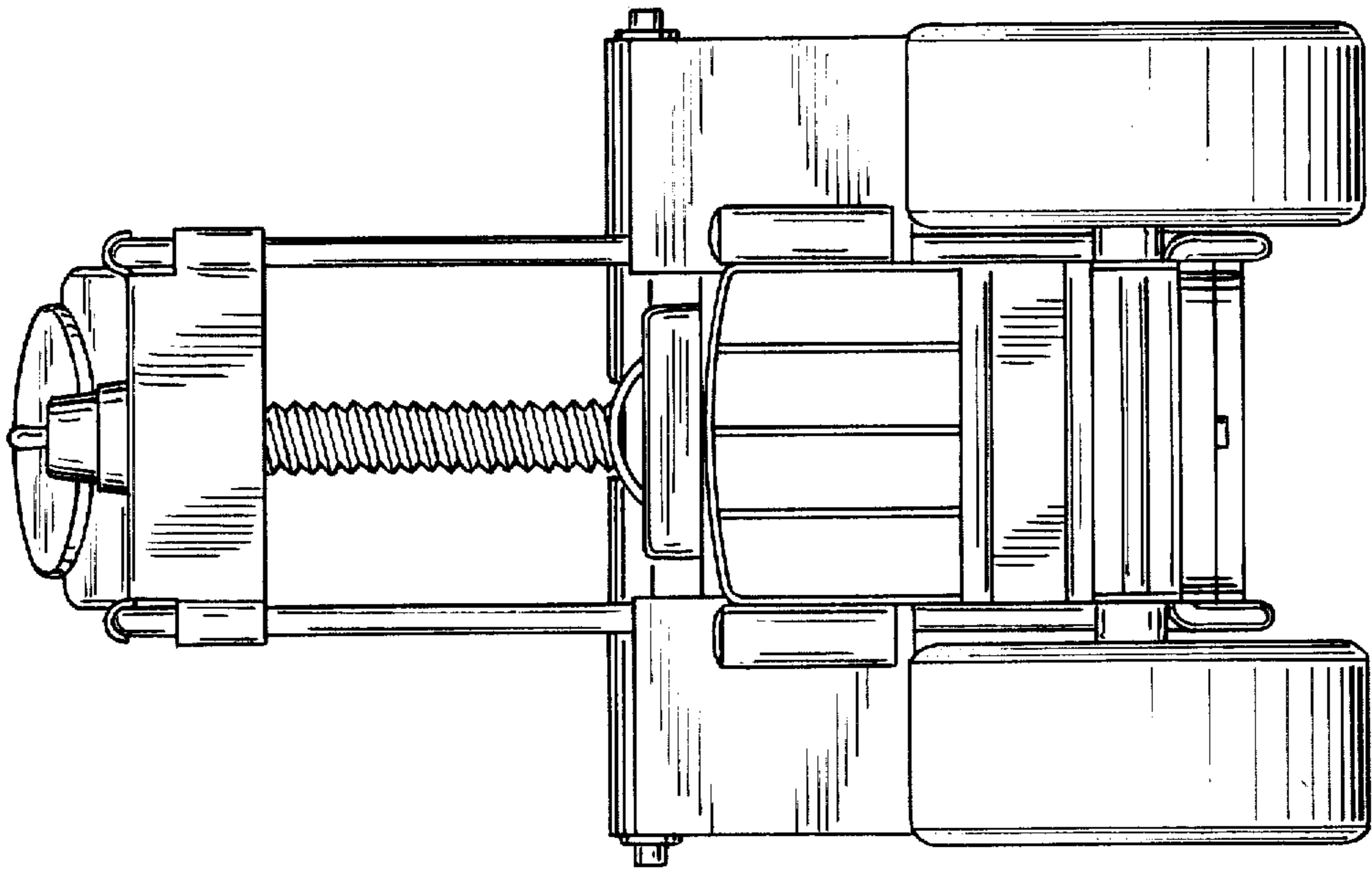


FIG. 5

