

[54] ROCKING TOY

[76] Inventor: George S. Seegers, Sr., 1239 Goodwin Ave., Charlotte, N.C. 28205

[**] Term: 14 Years

[21] Appl. No.: 566,938

[22] Filed: Apr. 10, 1975

[51] Int. Cl. D21-01

[52] U.S. Cl. D34/15 AE

[58] Field of Search D34/15 AE, 2 R; 272/52, 272/53.1, 53.2

[56] References Cited

U.S. PATENT DOCUMENTS

2,325,496	7/1943	Fleming	D34/2 R
D. 136,181	8/1943	Meyer	D34/15 AE
D. 170,294	8/1953	Wenkstern	D34/15 AE

FOREIGN PATENT DOCUMENTS

231,288 4/1925 United Kingdom 272/52

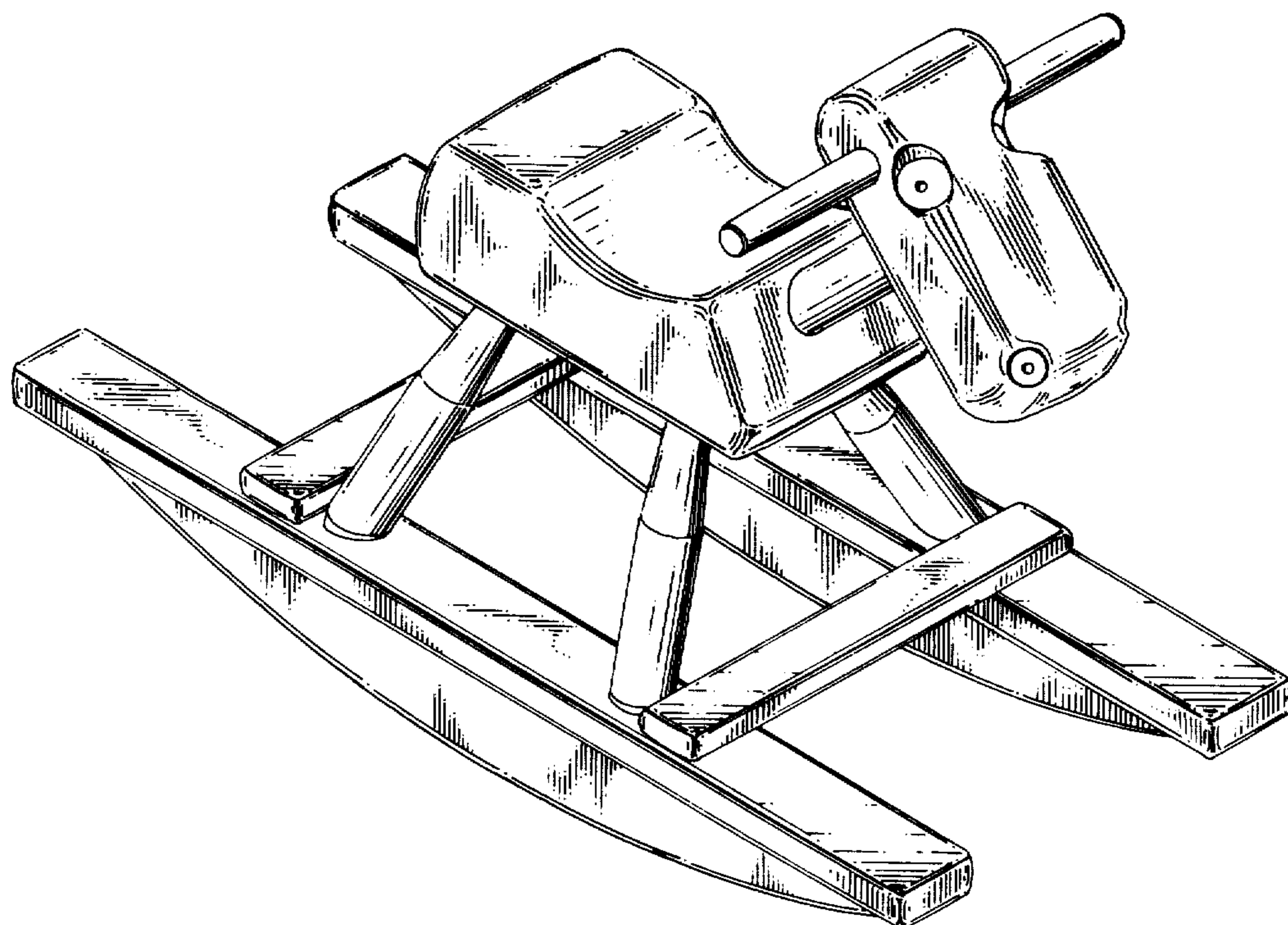
Primary Examiner—Joel Stearman
Assistant Examiner—C. A. Rademaker
Attorney, Agent, or Firm—Daniel E. McConnell

[57] CLAIM

The ornamental design for a rocking toy, substantially as shown.

DESCRIPTION

FIG. 1 is a front perspective view of a rocking toy showing my new design;
FIG. 2 is a front elevational view thereof shown on a slightly reduced scale; and
FIG. 3 is a side elevational view of the side opposite that shown in FIG. 1.



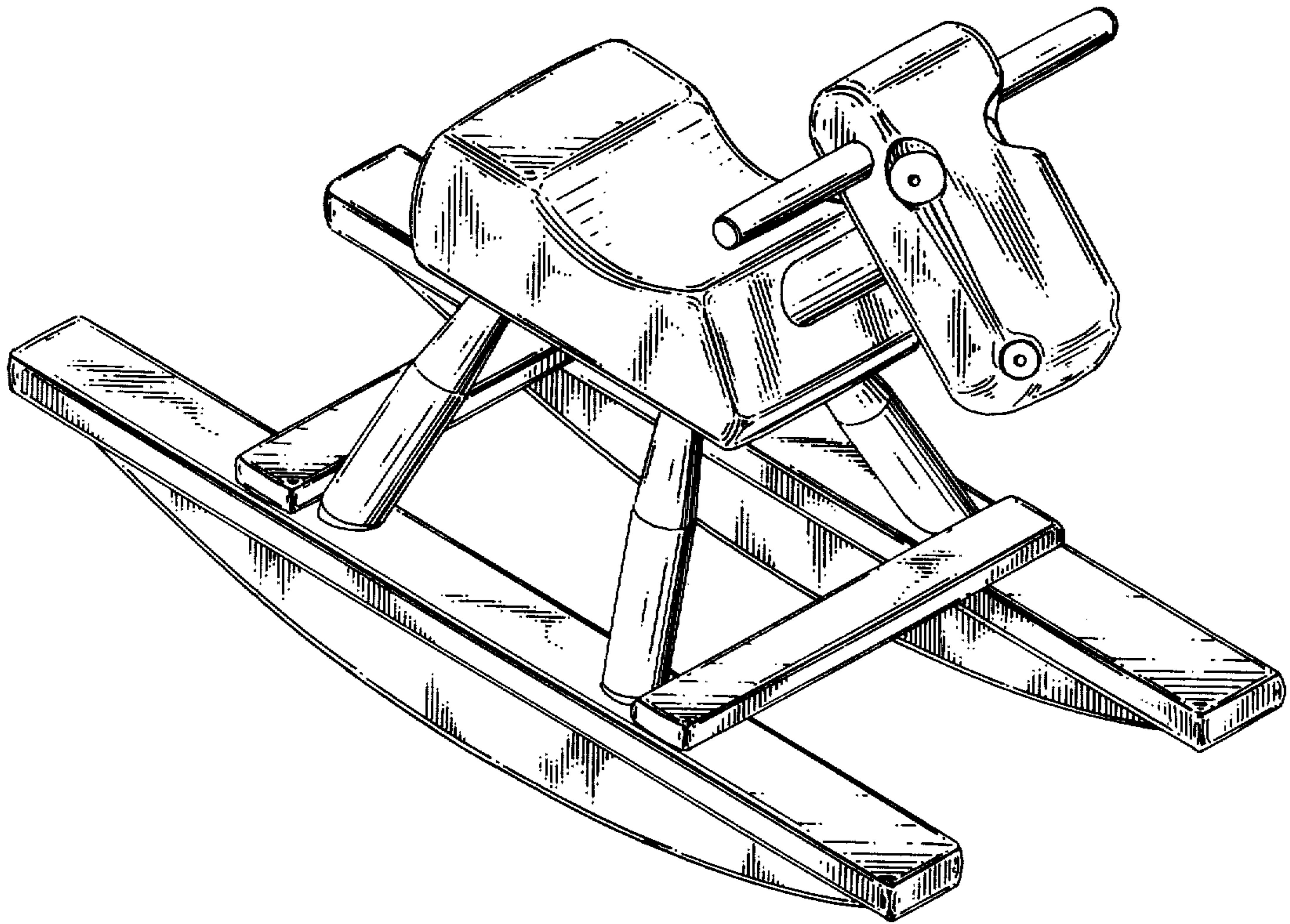


FIG-1

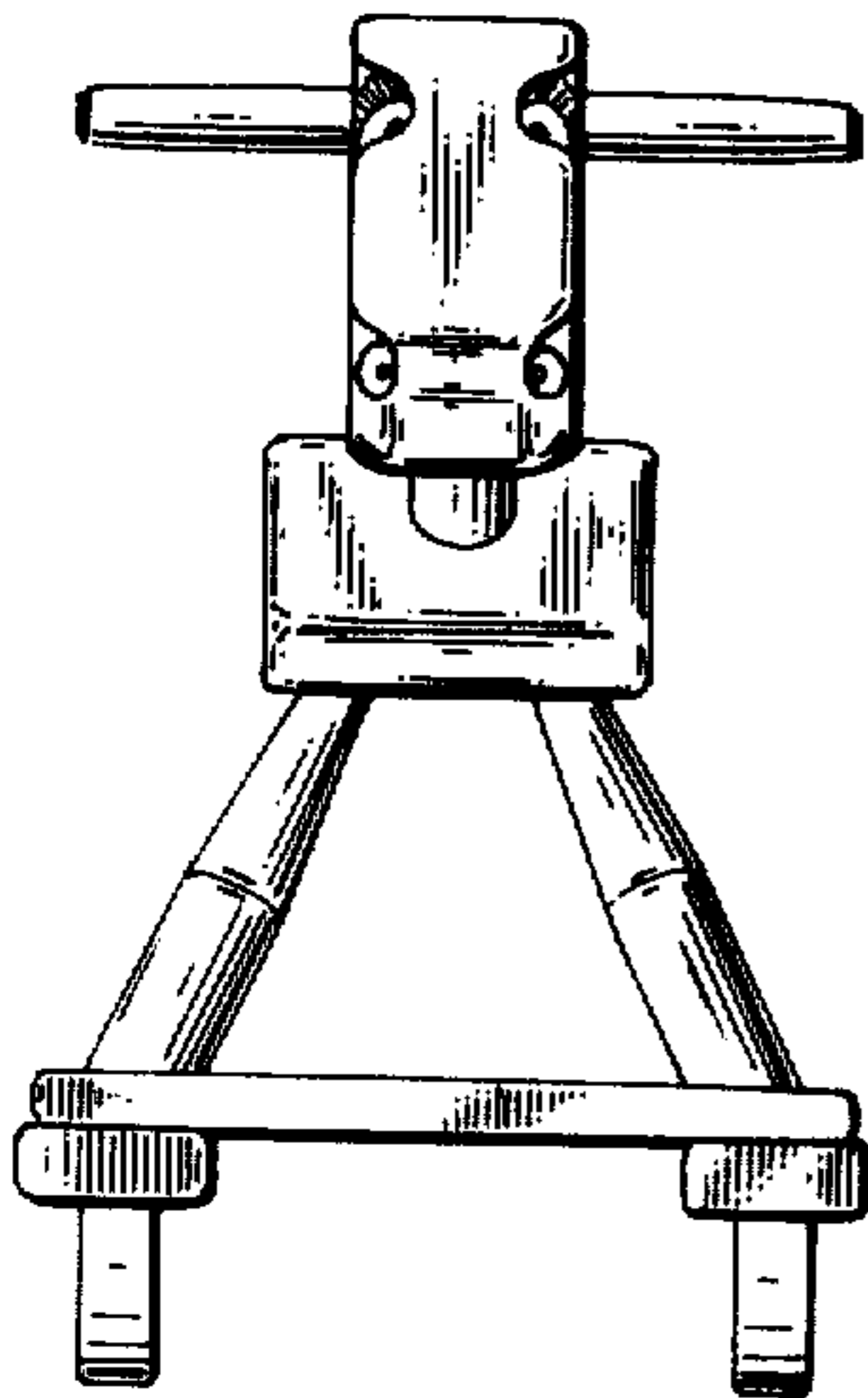


FIG-2

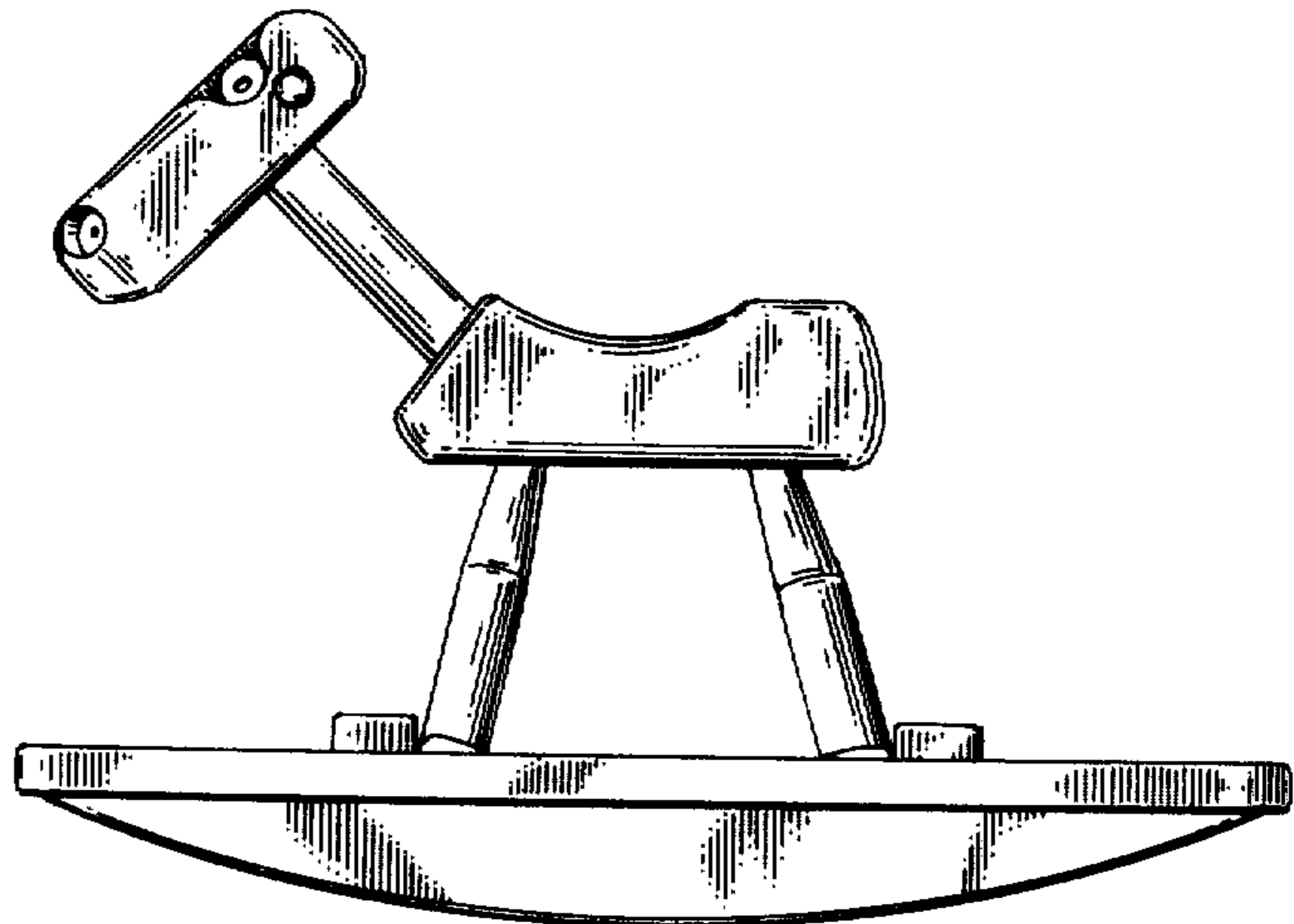


FIG-3