

[54] **SPRAY GUN FOR WASHING VEHICLES**

[76] Inventor: **Billy D. Fyffe**, 7423 E. 30th St.,
Tulsa, Okla. 74129

[**] Term: **14 Years**

[21] Appl. No.: **597,717**

[22] Filed: **July 21, 1975**

[51] Int. Cl. **D23-01**

[52] U.S. Cl. **D23/17**

[58] Field of Search D23/17, 18, 34-39;
239/526, 532; 239/525, 526, 532; 134/45,
123, 172

[56] **References Cited**

U.S. PATENT DOCUMENTS

D. 100,385	7/1936	Miller	D23/17
D. 179,807	3/1957	Malsbary	D23/17
D. 200,937	4/1965	Johnson	D23/18

D. 202,216	9/1965	Liljemark	D23/17
D. 213,556	3/1969	Sheeter	D23/17
D. 214,562	7/1969	Studinger	D23/17

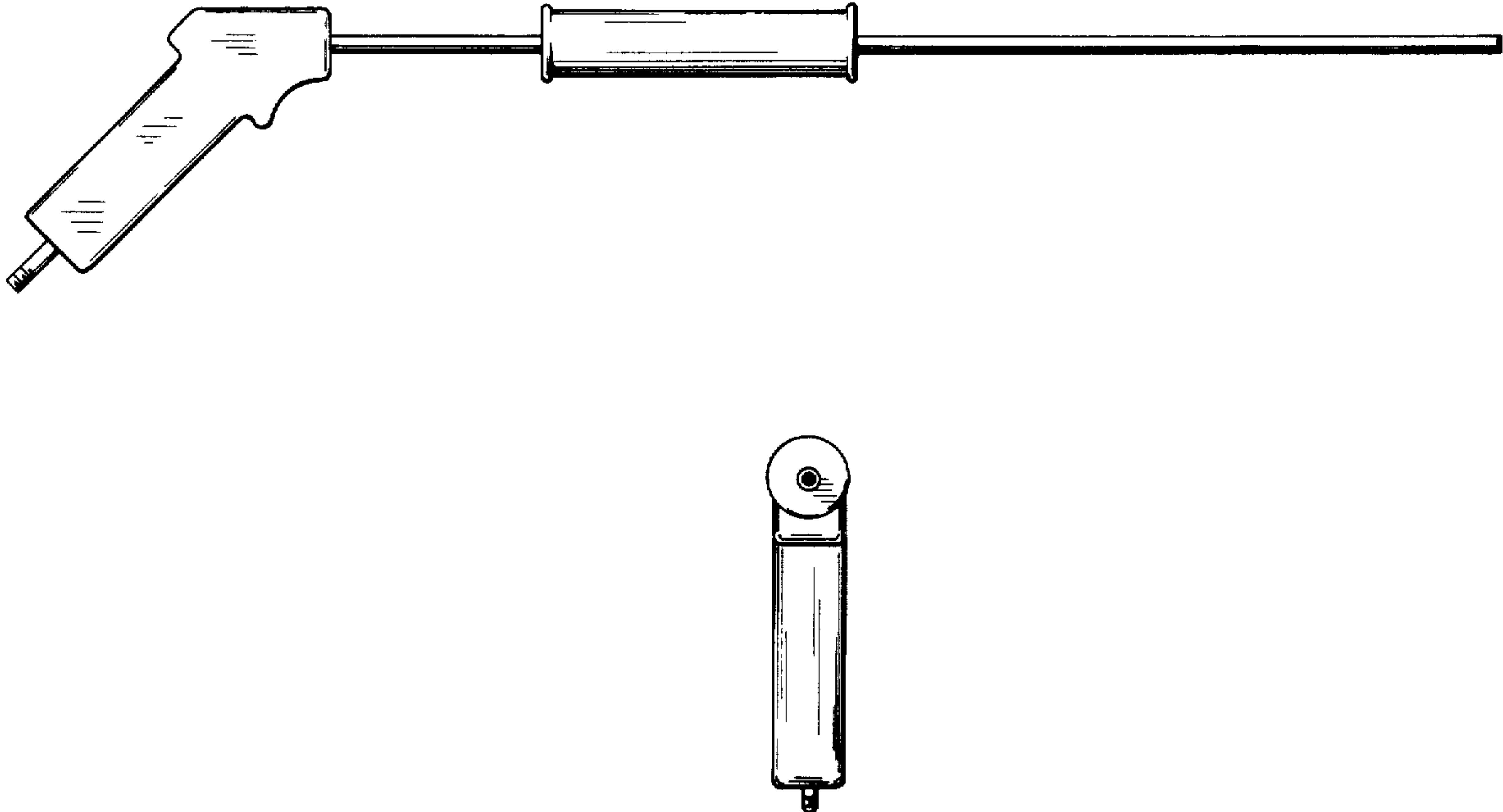
Primary Examiner—James R. Largen
Attorney, Agent, or Firm—Paul H. Johnson

[57] **CLAIM**

The ornamental design for a spray gun for washing vehicles, substantially as shown and described.

DESCRIPTION

FIG. 1 is an elevational view taken from one side of a spray gun for washing vehicles, the opposite side being a mirror image of the side shown; FIG. 2 is a top plan view thereof; FIG. 3 is a bottom plan view thereof; FIG. 4 is a rear elevational view thereof; and FIG. 5 is a front elevational view thereof.



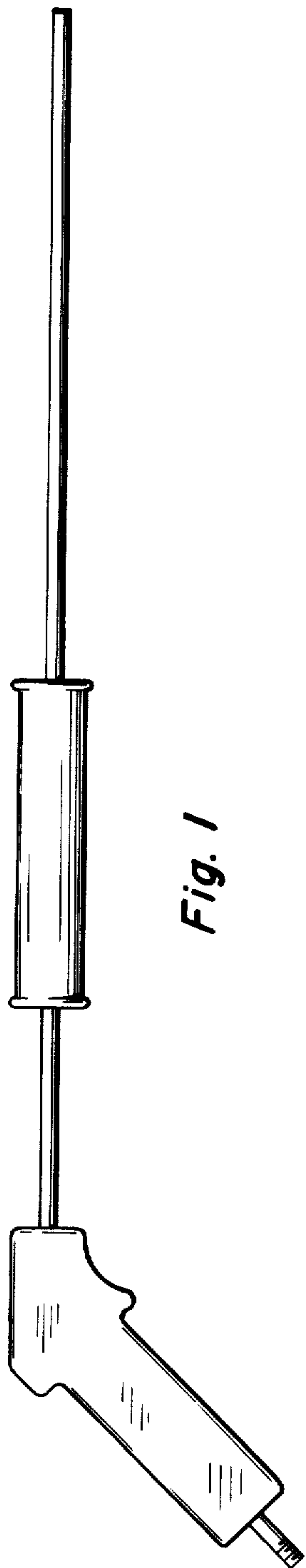


Fig. 1

Fig. 4

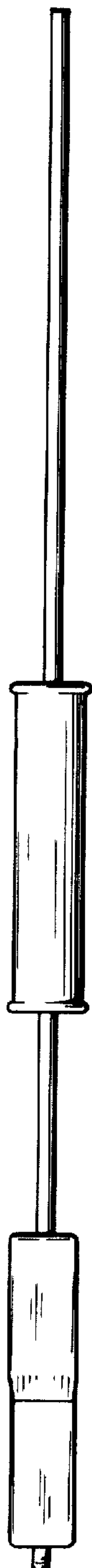


Fig. 2

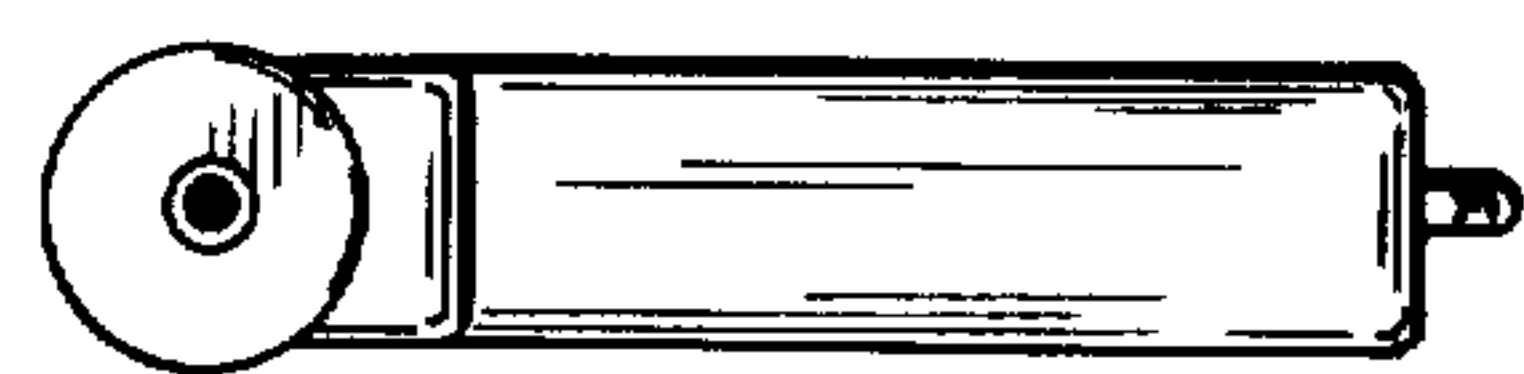


Fig. 5

Fig. 3

