

[54] MICROFICHE FILE, OR SIMILAR ARTICLE

[75] Inventor: John W. Overman, Colgate, Wis.

[73] Assignee: Bell & Howell Company, Chicago, Ill.

[**] Term: 14 Years

[21] Appl. No.: 563,559

[22] Filed: Mar. 31, 1975

[51] Int. Cl. D19-02

[52] U.S. Cl. D19/76

[58] Field of Search D19/65, 75, 76, 78, D19/89, 100; D30/13; D9/230-237; 40/68.4, 68.6; D87/1 D, 1 R

[56] References Cited

U.S. PATENT DOCUMENTS

3,253,871 5/1966 Karper D19/76
D. 174,672 5/1955 Blod D9/231

D. 181,514 11/1957 Blod D9/234
D. 226,586 3/1973 Grube D9/230

Primary Examiner—Joel Stearman
Assistant Examiner—George P. Word
Attorney, Agent, or Firm—Robert A. Walsh

[57] CLAIM

The ornamental design for a microfiche file or similar article, as shown and described.

DESCRIPTION

FIG. 1 is a perspective view of a microfiche file showing my new design;
FIG. 2 is a rear perspective view thereof;
FIG. 3 is a perspective view of the microfiche file with the cover in an open position;
FIG. 4 is a front elevational view; and
FIG. 5 is a left side elevational view.
The bottom of the microfiche file is substantially plain and unornamented.

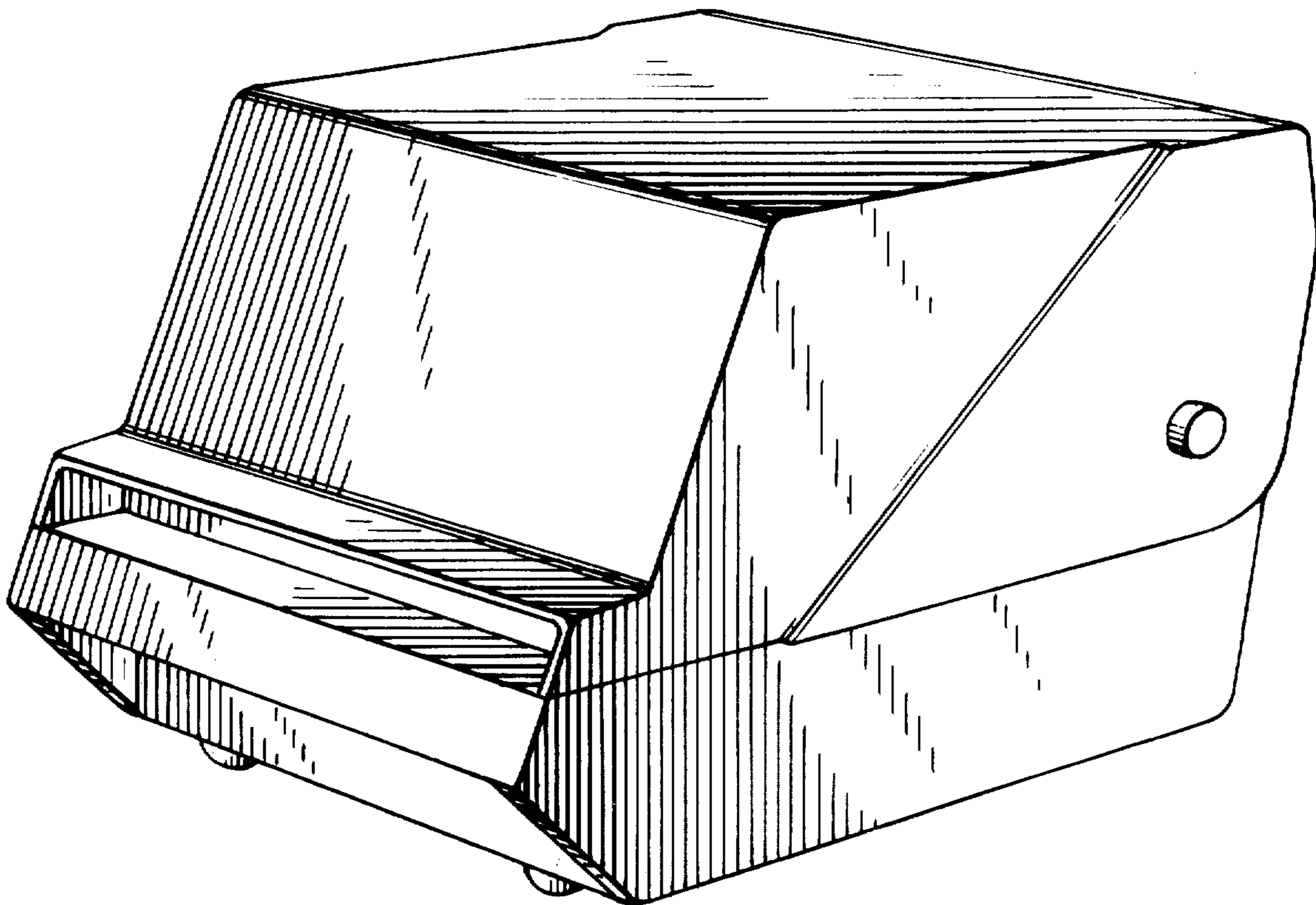


Fig. 1.

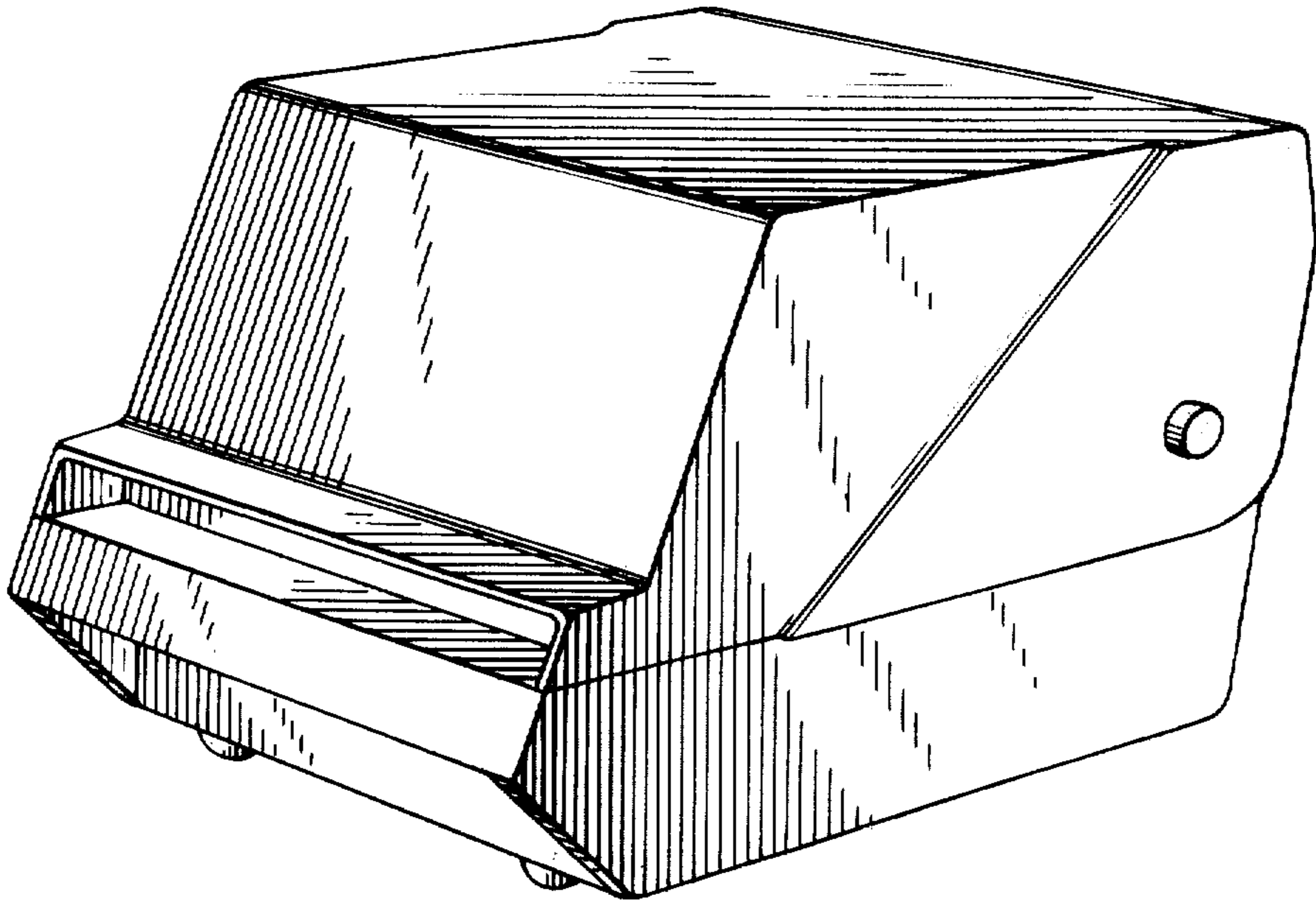


Fig. 2.

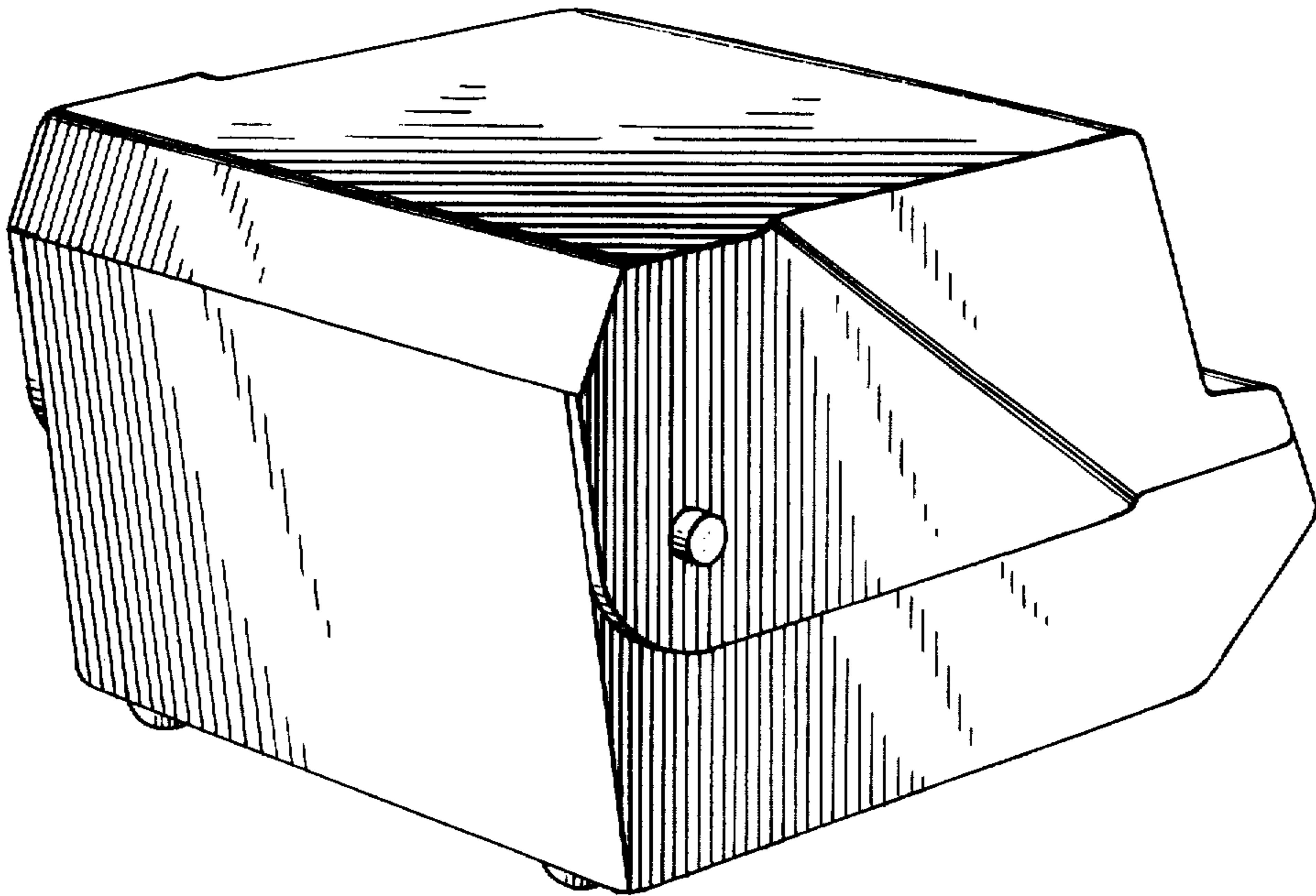


Fig. 3.

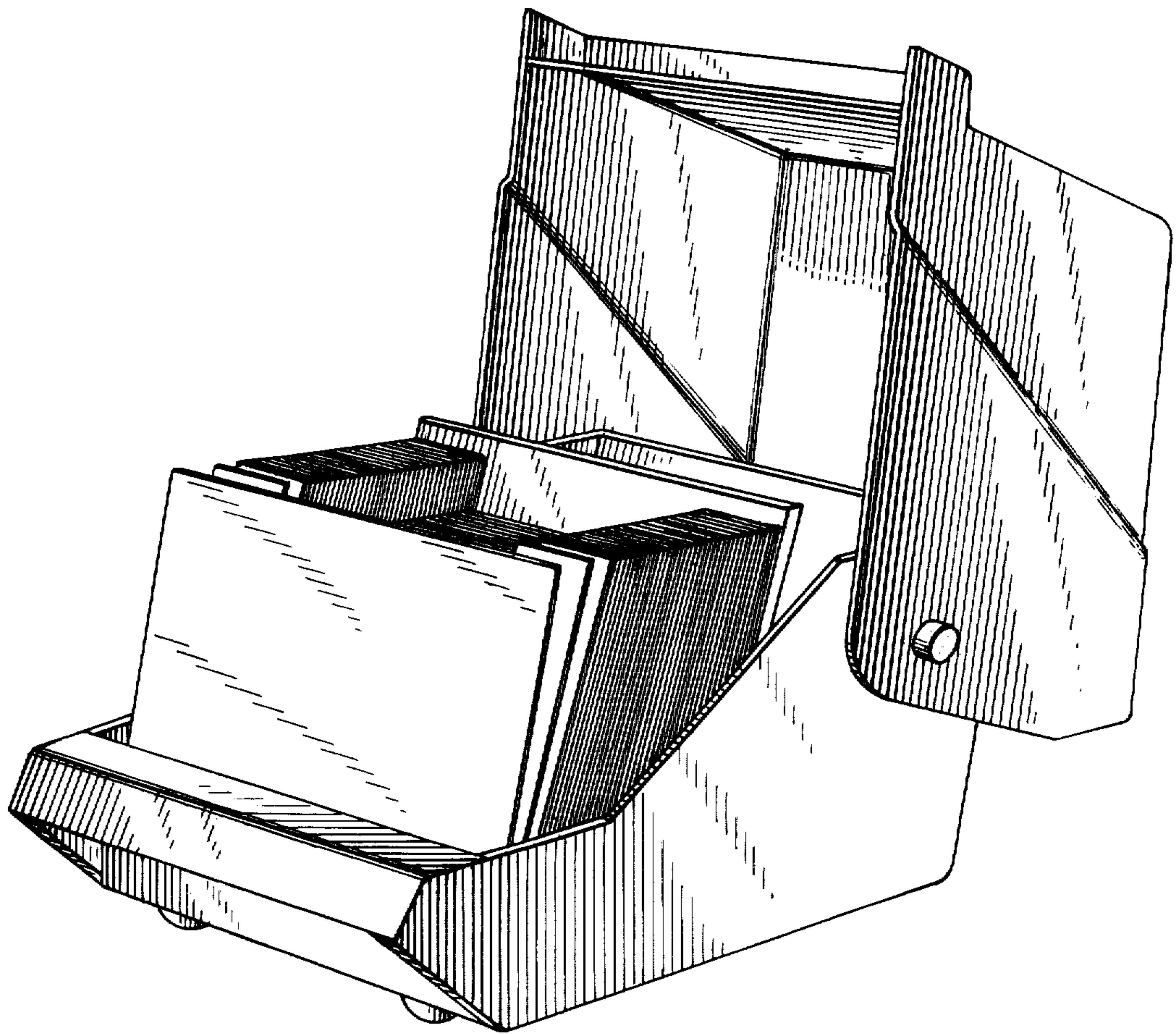


Fig. 4.

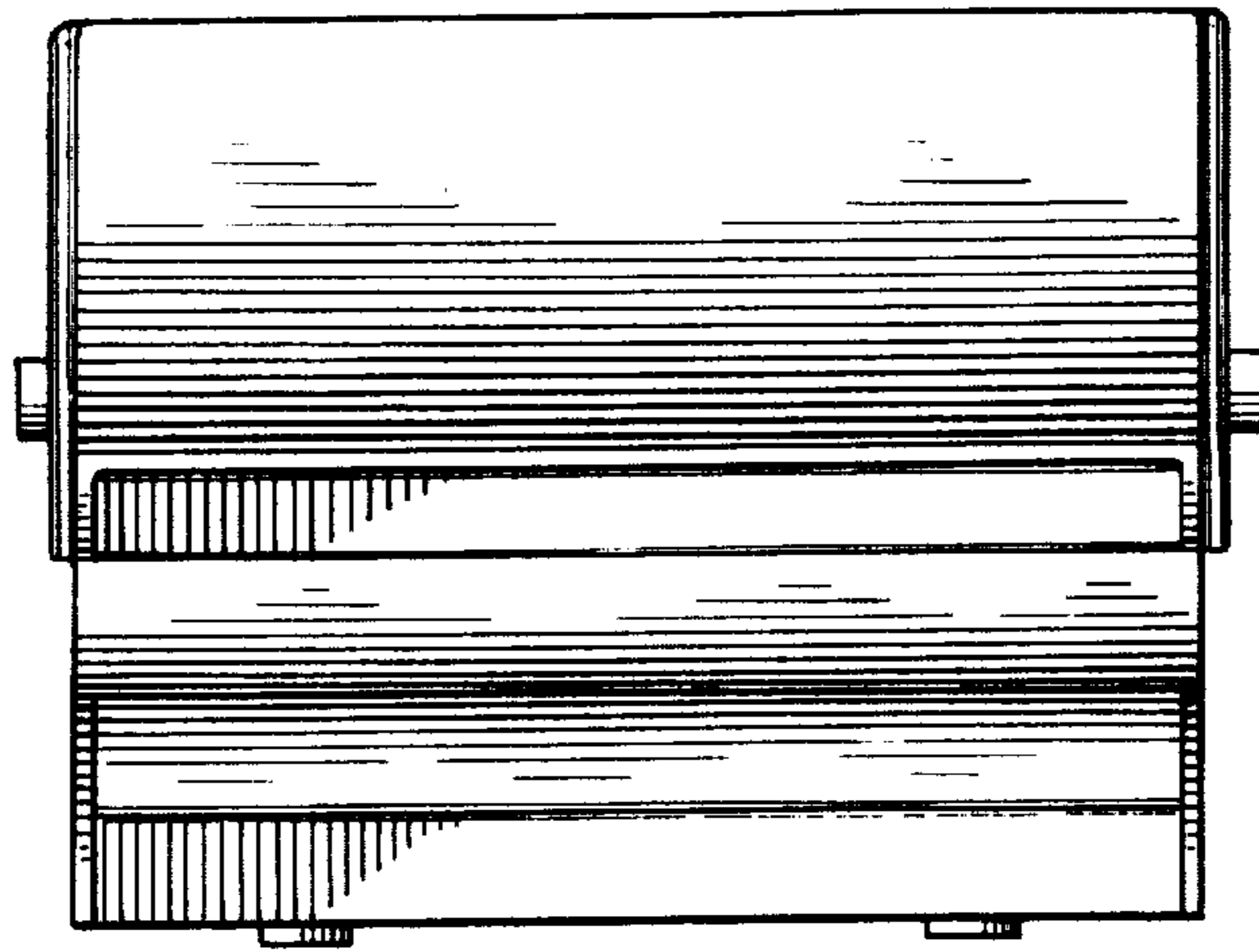


Fig. 5.

