

[54] MULTIPLE USE SERVICE CART

[75] Inventors: Richard R. Dillon, Marlboro; John F. Graham, Sudbury, both of Mass.

[73] Assignee: Honeywell Information Systems, Inc., Waltham, Mass.

[\*\*] Term: 14 Years

[21] Appl. No.: 627,957

[22] Filed: Nov. 3, 1975

[51] Int. Cl. .... D12-02

[52] U.S. Cl. .... D12/29

[58] Field of Search ..... D12/27, 28, 29, 30; 280/43.1, 40, 47.13 R, 47.17, 47.19, 47.26, 47.34, 47.35, 79.1, 79.2, 79.3, 645, 646, 651, 652, 654

[56]

References Cited

U.S. PATENT DOCUMENTS

D. 90,713 9/1933 Goodman ..... D12/29  
D. 118,060 12/1939 Smith ..... D12/29

Primary Examiner—Wallace R. Burke  
Assistant Examiner—James M. Gandy  
Attorney, Agent, or Firm—Ronald T. Reiling

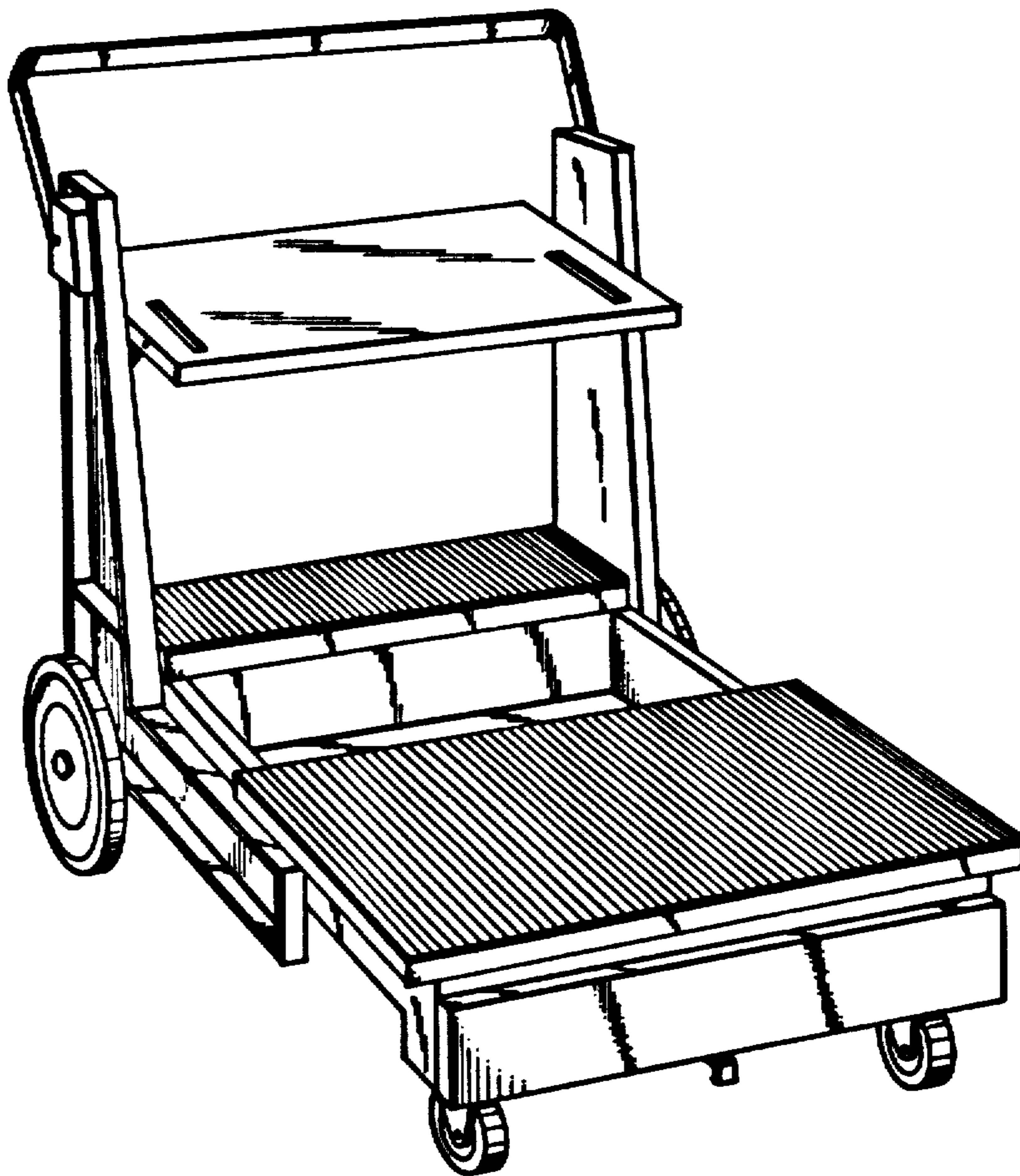
[57]

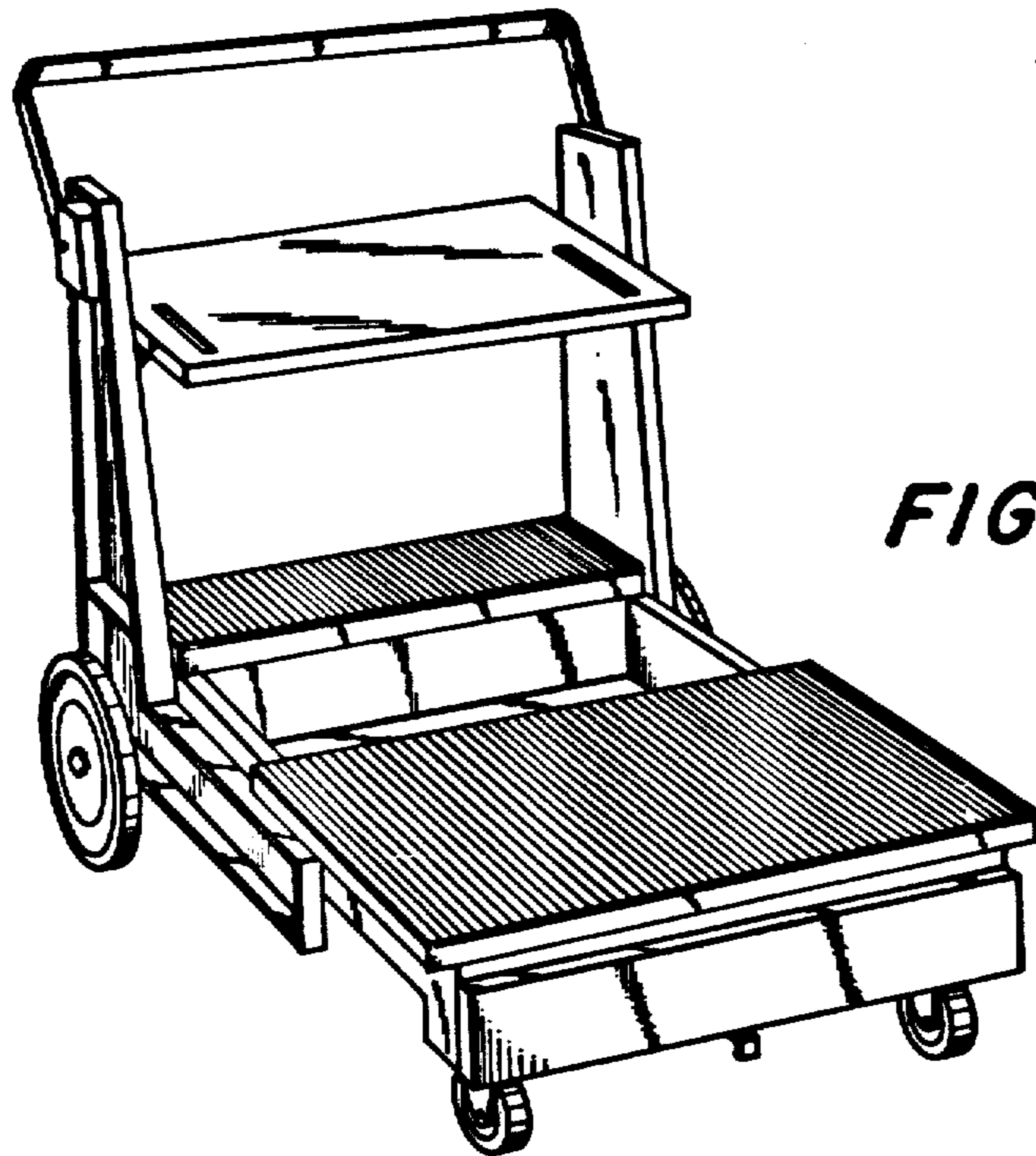
CLAIM

The ornamental design for a multiple use service cart, substantially as shown and described.

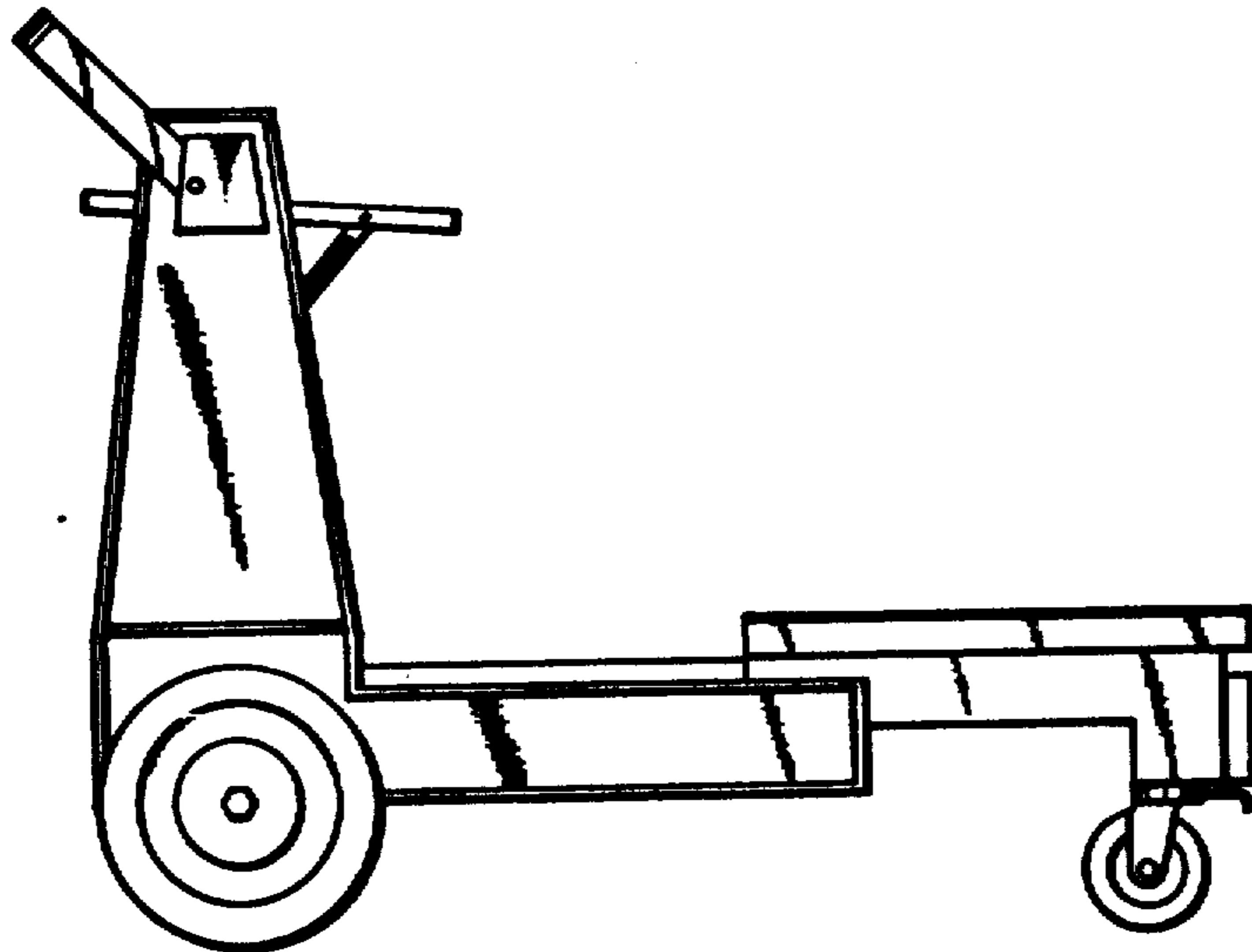
DESCRIPTION

FIG. 1 is a front perspective view of a multiple use service cart embodying our new design; FIG. 2 is a side elevational view thereof, the opposite side being a mirror image of the side shown herein; FIG. 3 is a front elevational view thereof; FIG. 4 is a rear elevational view thereof; and FIG. 5 is a top plan view thereof.





*FIG. 1*



*FIG. 2*

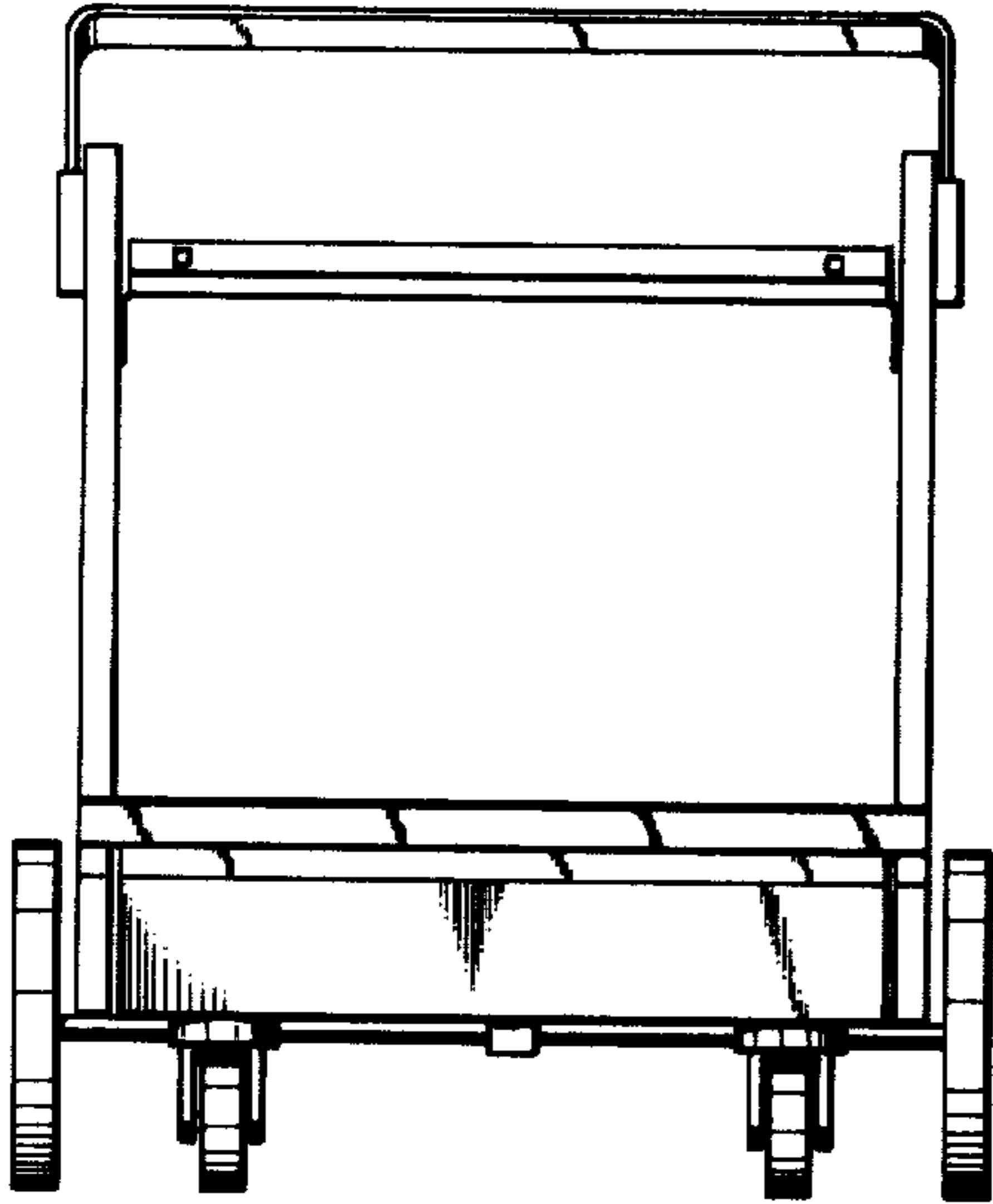


FIG. 3

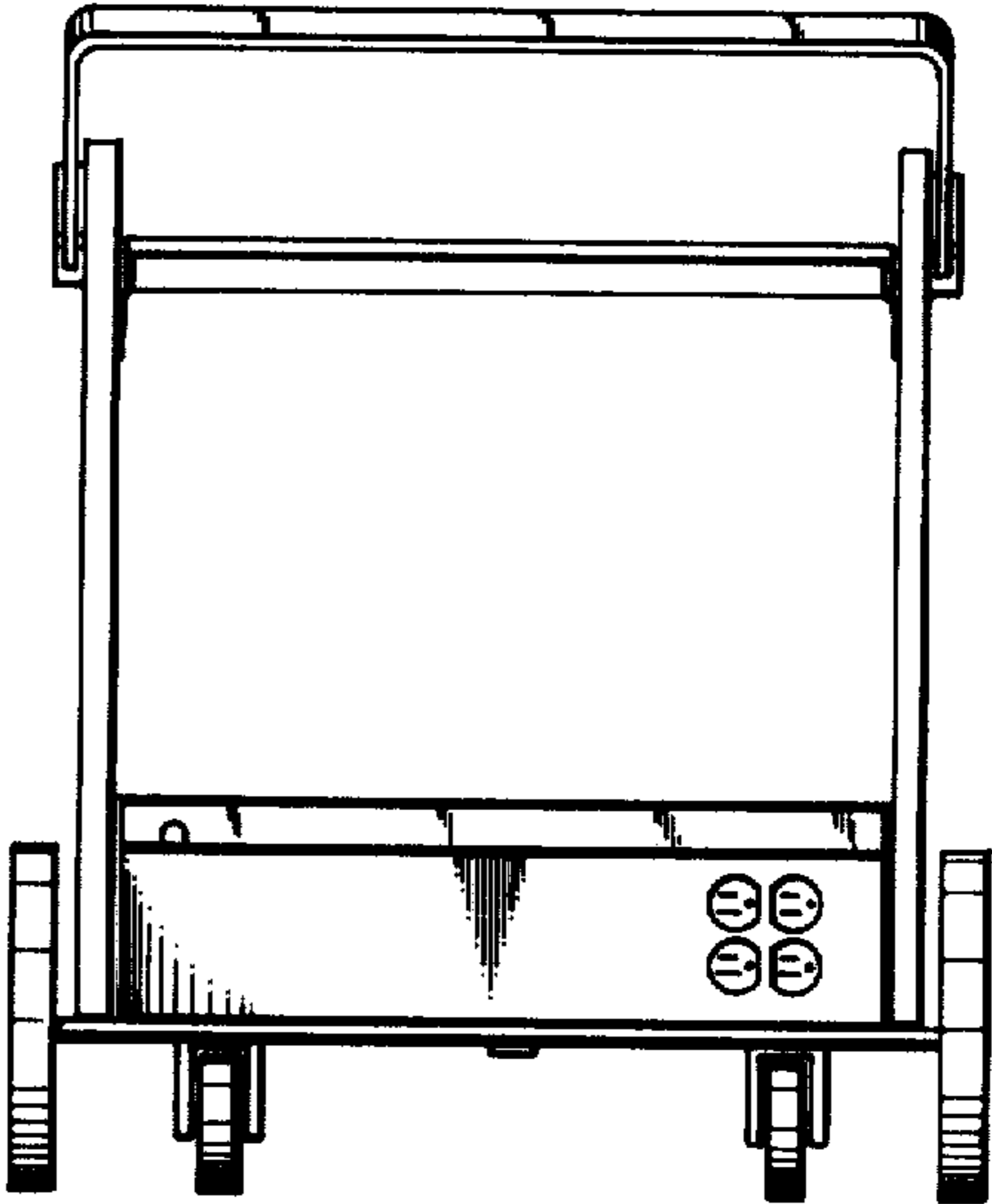


FIG. 4

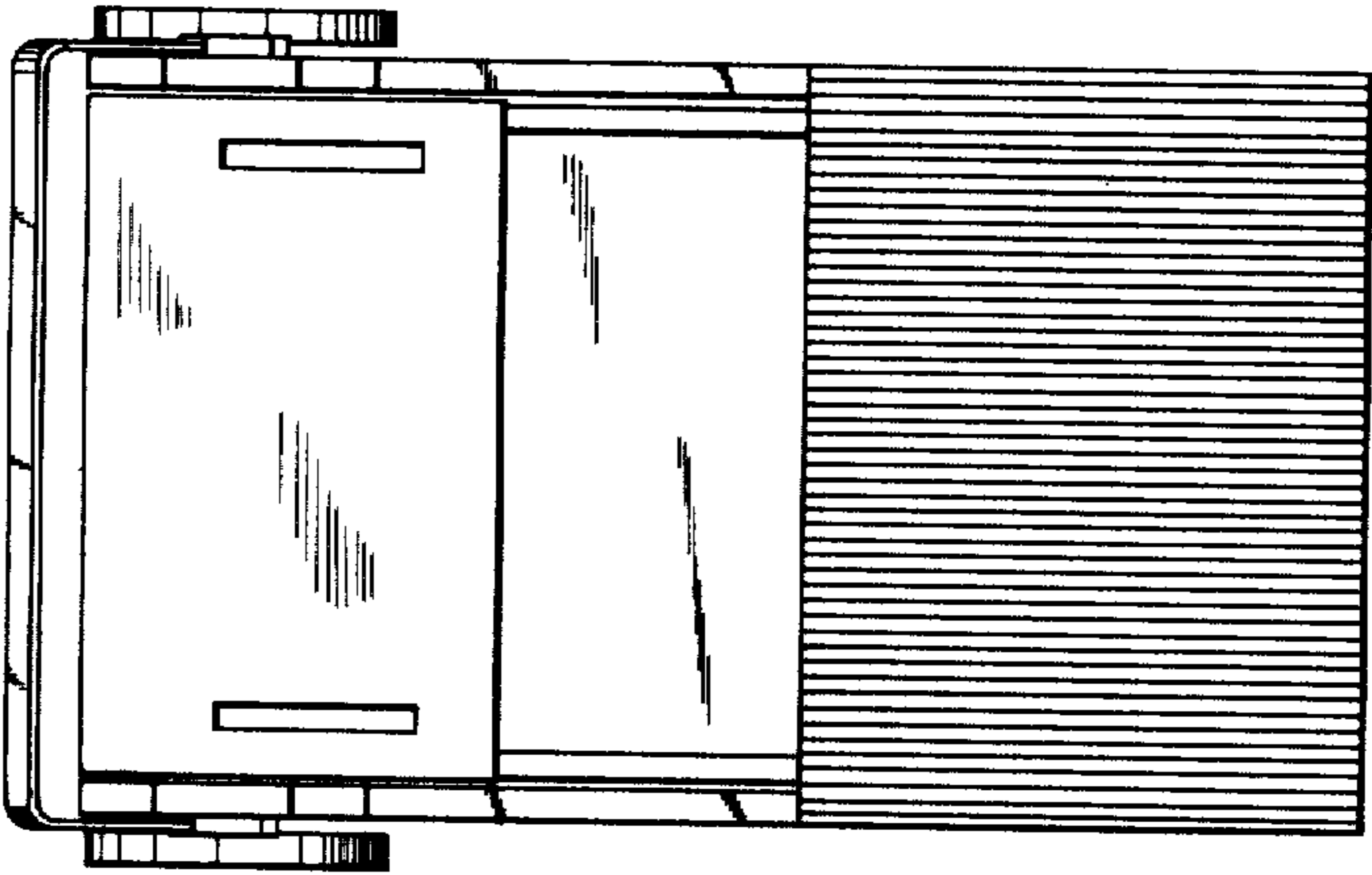


FIG. 5