

[54] **ROAD MARKER**

[76] Inventor: **Mendel King**, 46 Primley Park Ave.,  
Leeds 17, Yorkshire, England

[\*\*] Term: **14 Years**

[21] Appl. No.: **660,277**

[22] Filed: **Feb. 23, 1976**

[30] **Foreign Application Priority Data**

Sept. 5, 1975 United Kingdom ..... 972467/75

[51] Int. Cl. .... **D10-06**

[52] U.S. Cl. .... **D10/113**

[58] **Field of Search** ..... D10/111, 113; 404/9,  
404/10, 11, 12, 13, 14, 15, 16; 350/97, 99,  
100, 101, 103, 104, 105, 107, 108

[56] **References Cited**

**U.S. PATENT DOCUMENTS**

3,502,008 3/1970 Macrae ..... 404/10  
3,850,536 11/1974 Kone ..... 404/11

**FOREIGN PATENT DOCUMENTS**

6,714,960 5/1968 Netherlands ..... 404/15

*Primary Examiner*—Susie J. Mercer  
*Attorney, Agent, or Firm*—Sherman & Shalloway

[57] **CLAIM**

The ornamental design for a road marker, as shown and described.

**DESCRIPTION**

FIG. 1 is a front perspective view of a road marker showing my new design, the center portion being in its normally upraised position;  
FIG. 2 is a perspective view thereof showing the center portion in its depressed position;  
FIG. 3 is a front elevational view thereof, the rear being identical;  
FIG. 4 is a side elevational view thereof;  
FIG. 5 is a top plan view thereof; and  
FIG. 6 is a bottom plan view thereof.

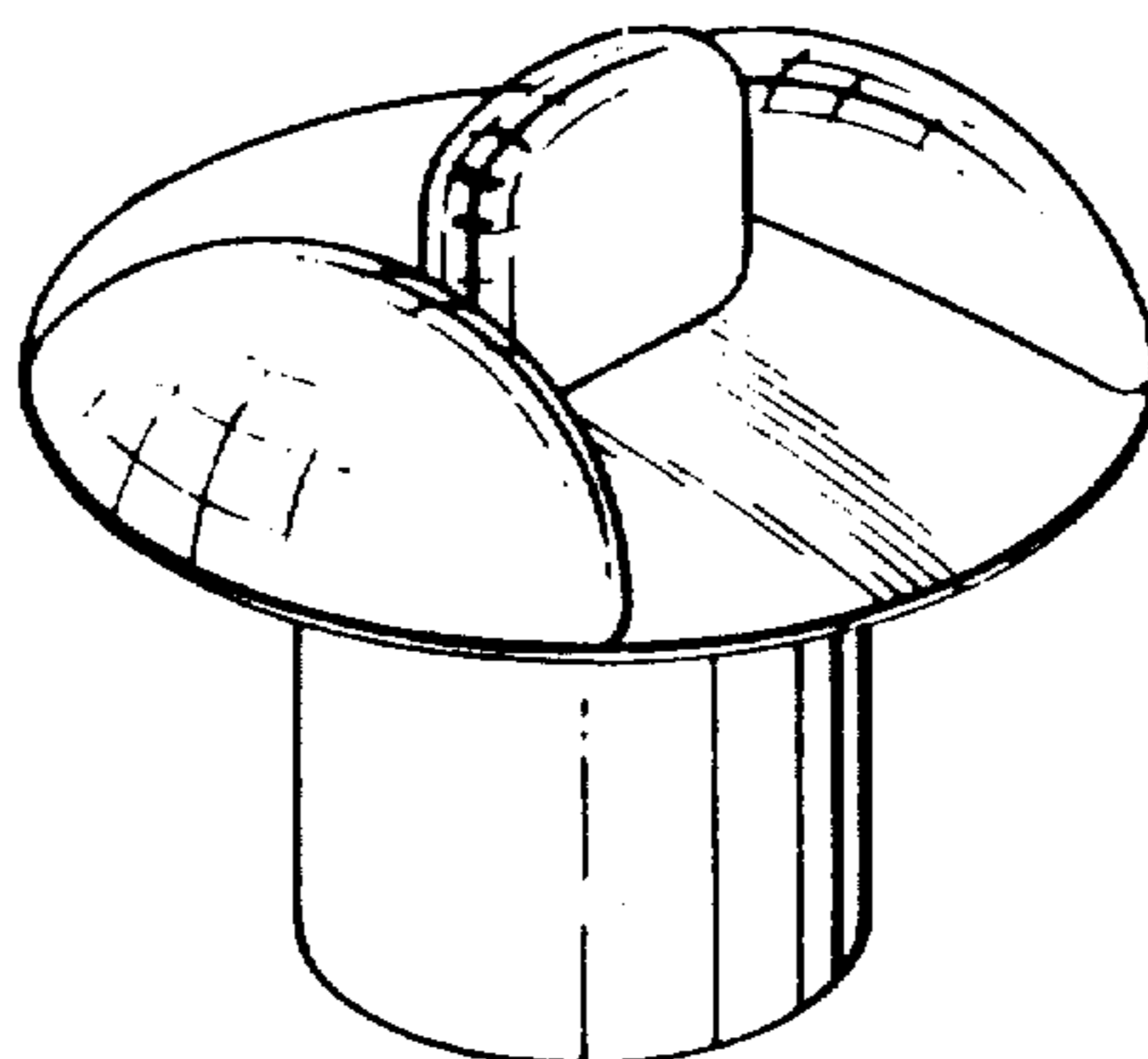


FIG. 1

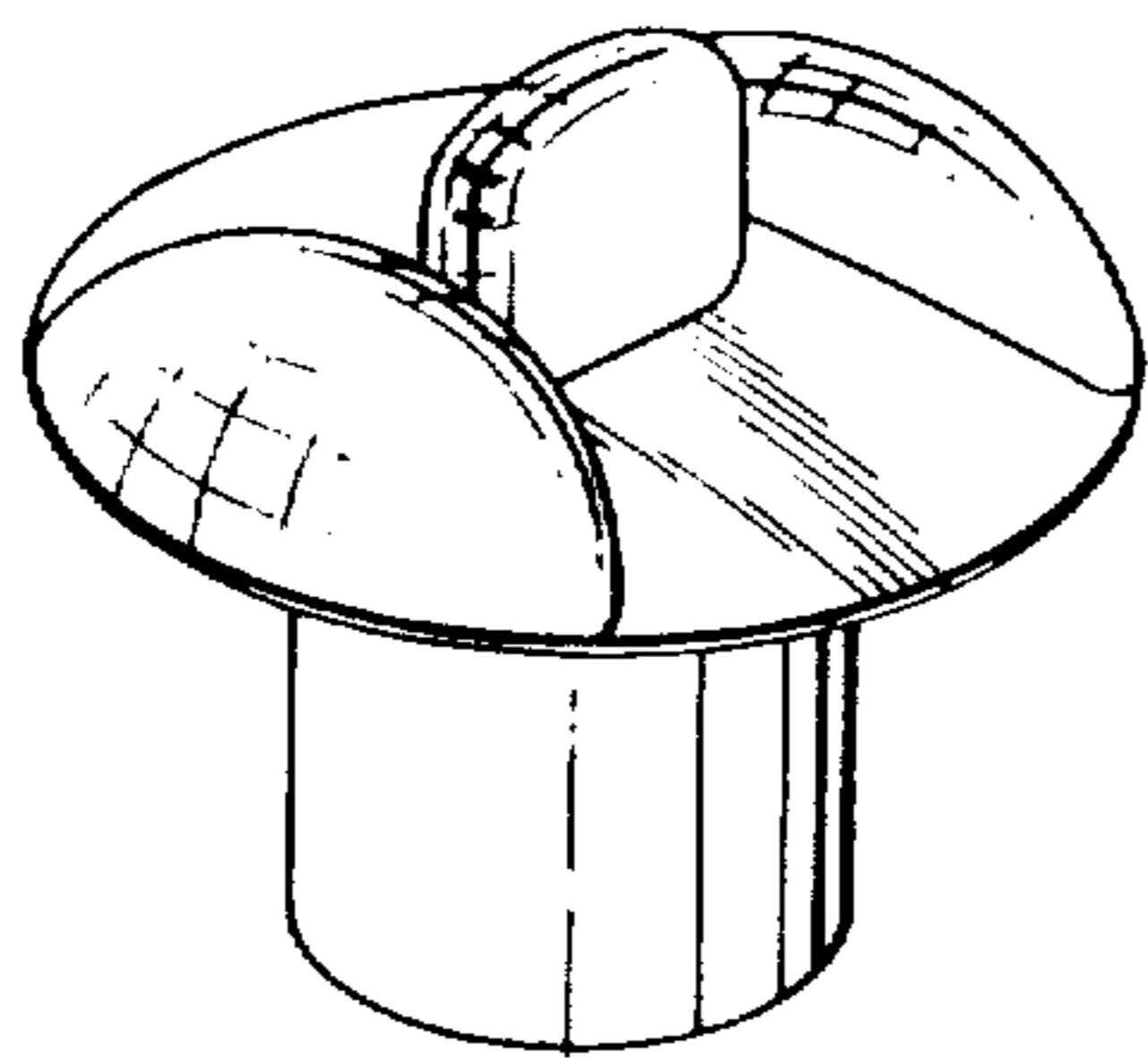


FIG. 2

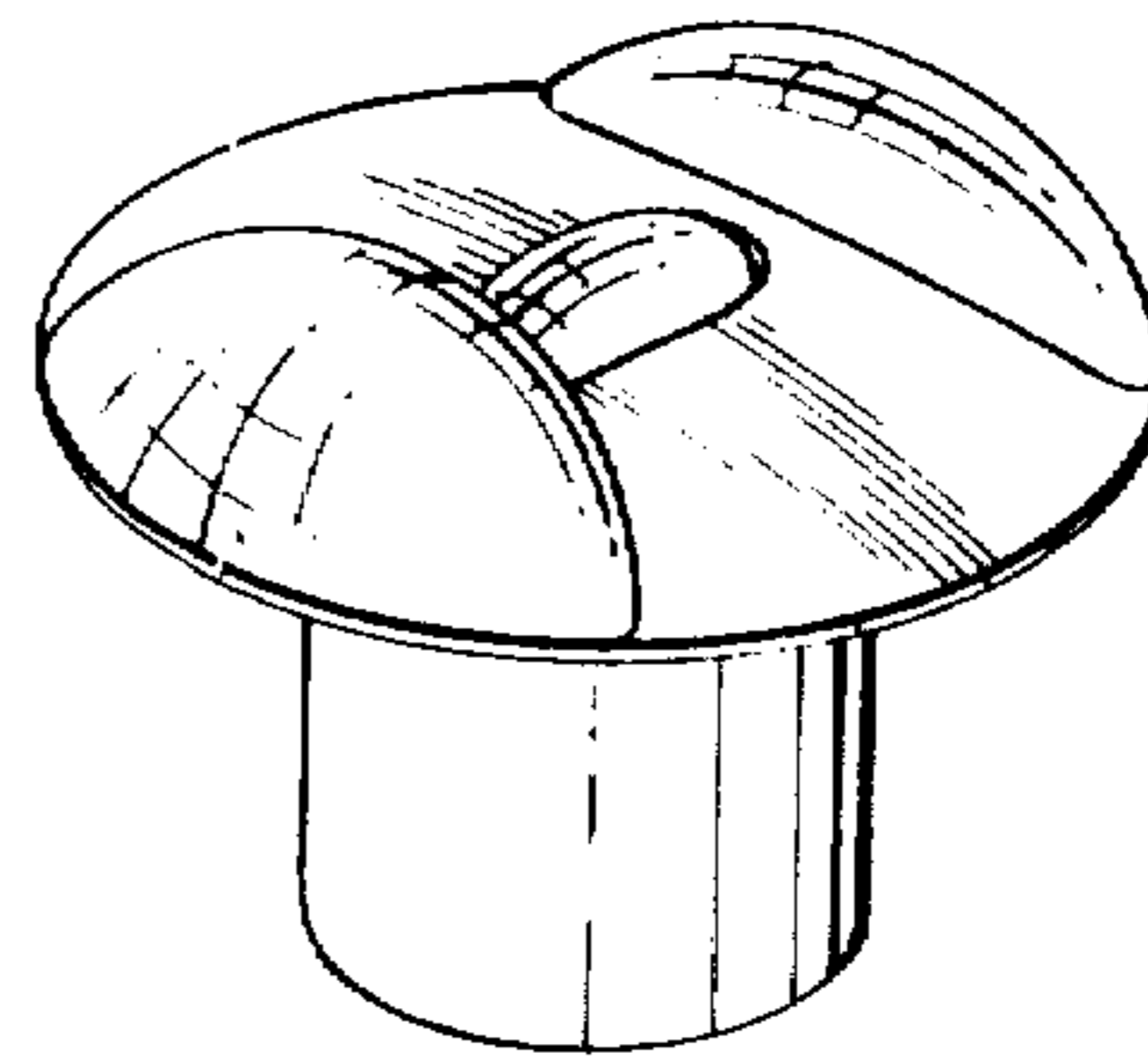


FIG. 3

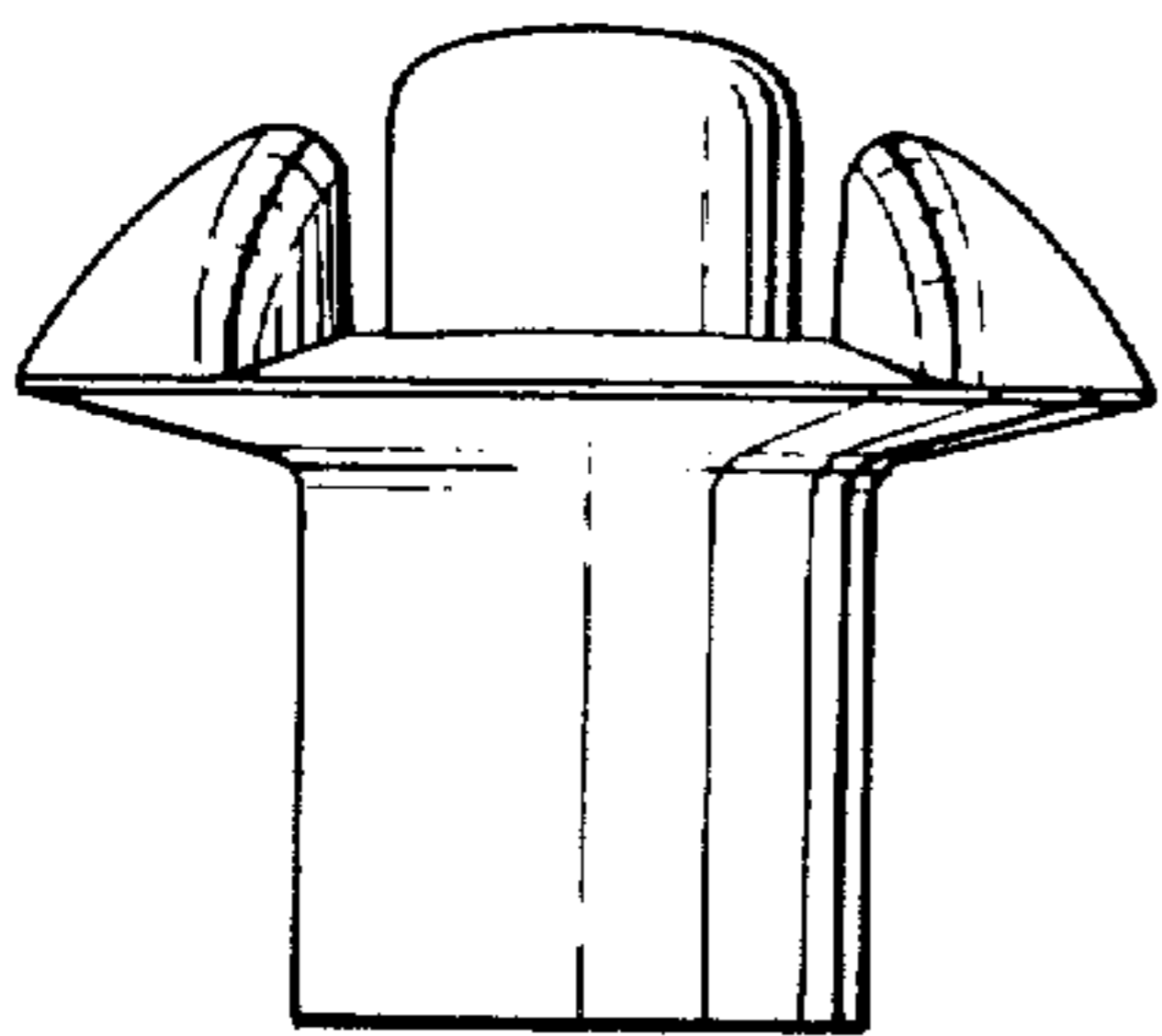


FIG. 4

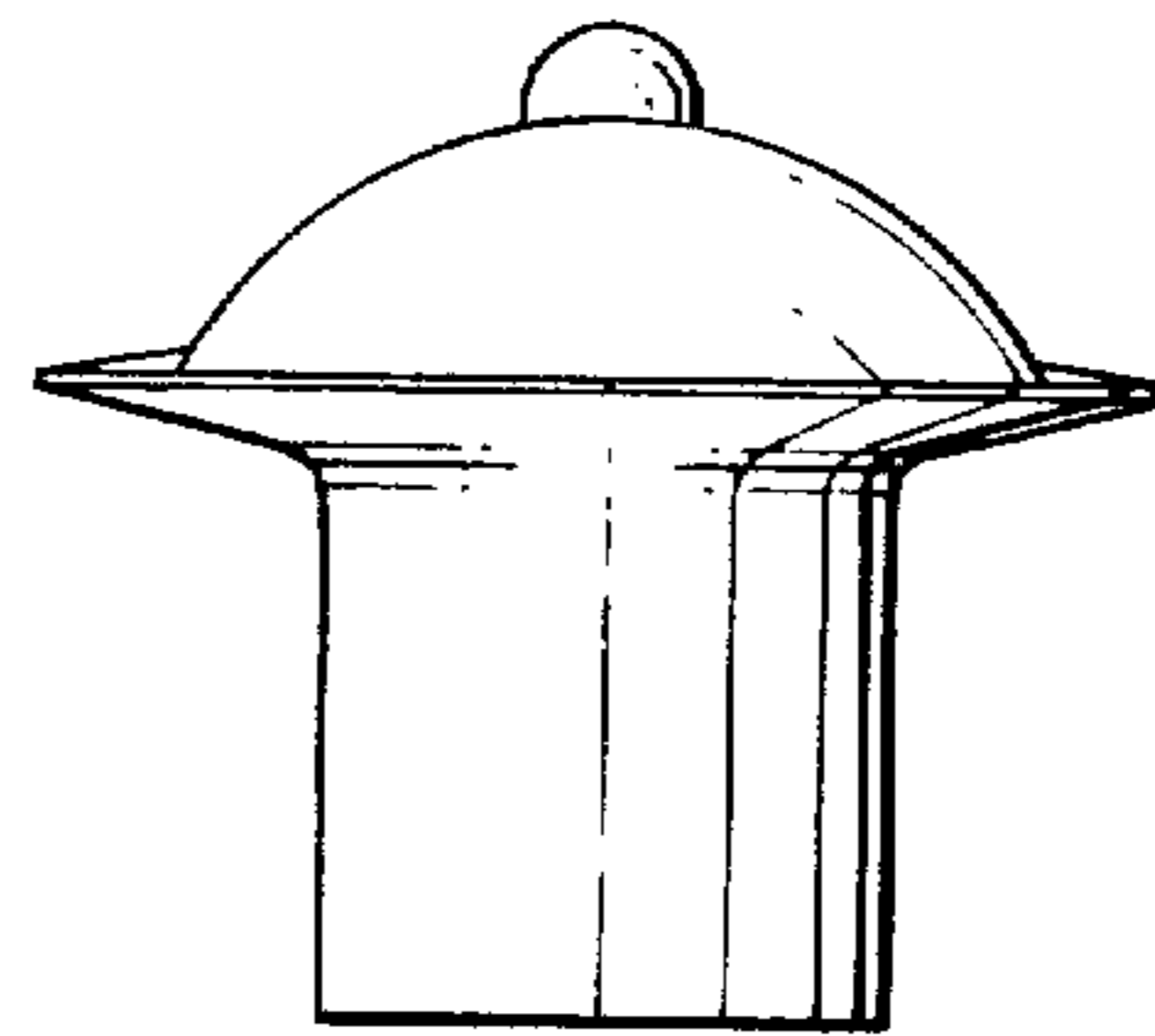


FIG. 5

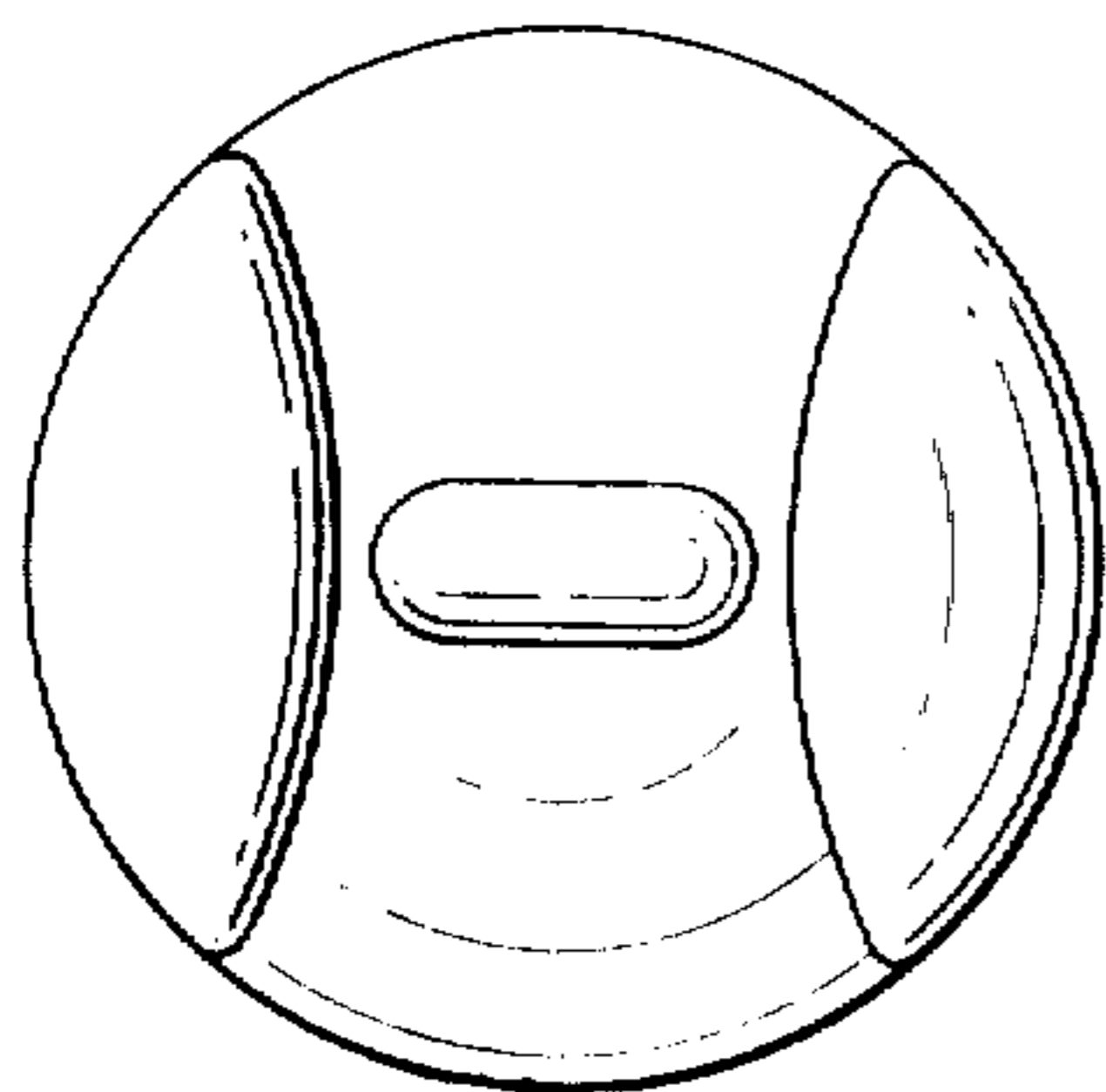


FIG. 6

