

- [54] INTRUSION ALARM
- [75] Inventors: **Aaron A. Galvin**, Lexington; **Francis R. Keeler**, Needham, both of Mass.
- [73] Assignee: **American District Telegraph Company**, New York, N.Y.
- [**] Term: **14 Years**
- [21] Appl. No.: **657,709**
- [22] Filed: **Feb. 12, 1976**
- [51] Int. Cl. **D10-05**
- [52] U.S. Cl. **D10/106**
- [58] Field of Search D10/106, 121; 340/213, 340/227 R, 227.1, 228 R, 228.1, 237 R, 237 S, 258 R, 258 B, 276, 283

[56] **References Cited**

OTHER PUBLICATIONS

Electronic Technician/Dealer, Aug. 1968, p. 82, intrusion alarm shown, copy in Signals box A13(A).

Sweets Architectural Catalog, vol. 12, 1972, Section 16.12Ae, p. 2, top of page.

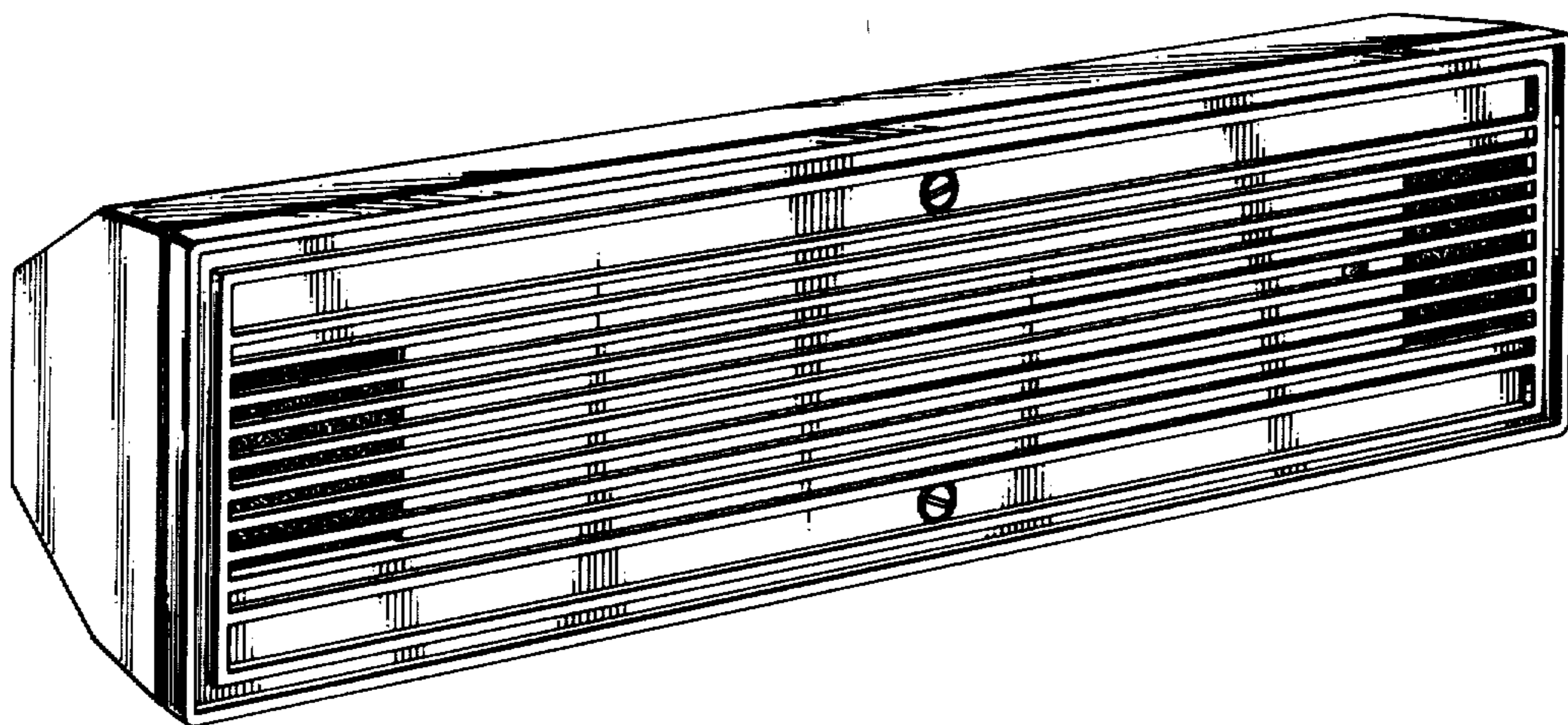
Primary Examiner—Wallace R. Burke
Assistant Examiner—Christine M. Nucker
Attorney, Agent, or Firm—Joseph Weingarten

[57] **CLAIM**

The ornamental design for an intrusion alarm, as shown.

DESCRIPTION

FIG. 1 is a pictorial view of the intrusion alarm embodying the novel design;
FIG. 2 is a front elevation view of the intrusion alarm of FIG. 1;
FIG. 3 is a side elevation of the intrusion alarm of FIG. 1;
FIG. 4 is a top view of the intrusion alarm of FIG. 1; and
FIG. 5 is a rear elevation view of the intrusion alarm of FIG. 1.



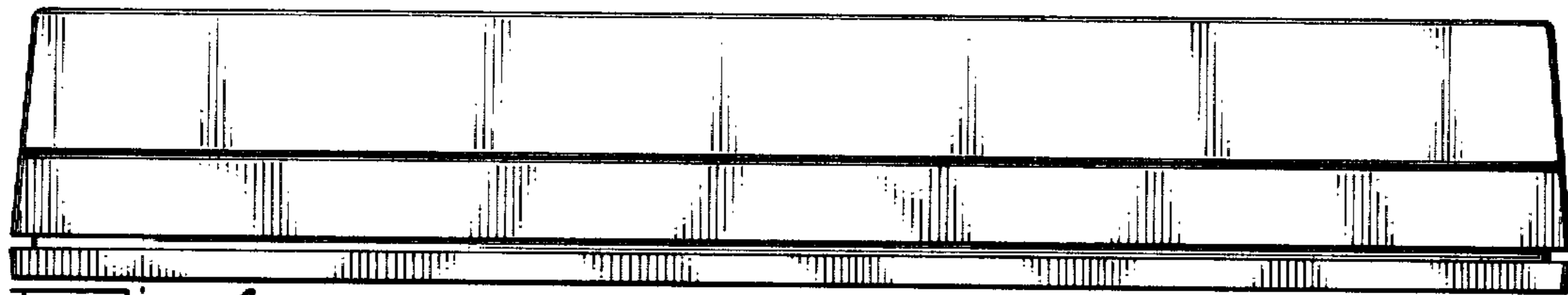
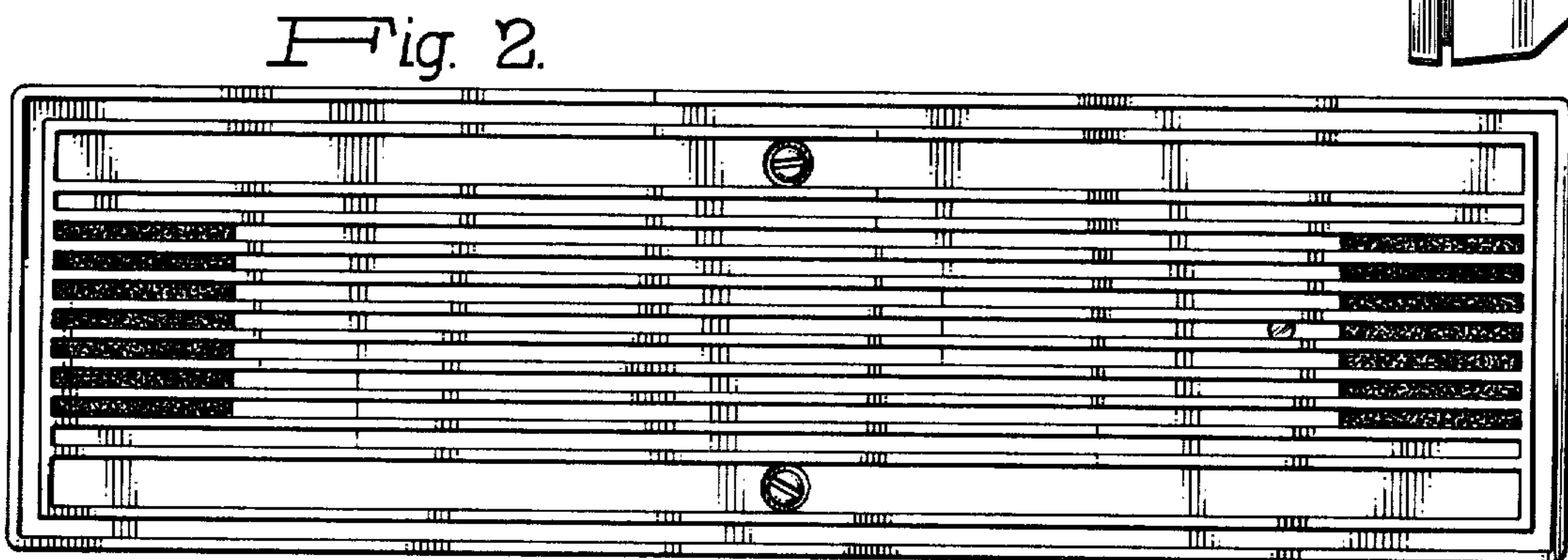
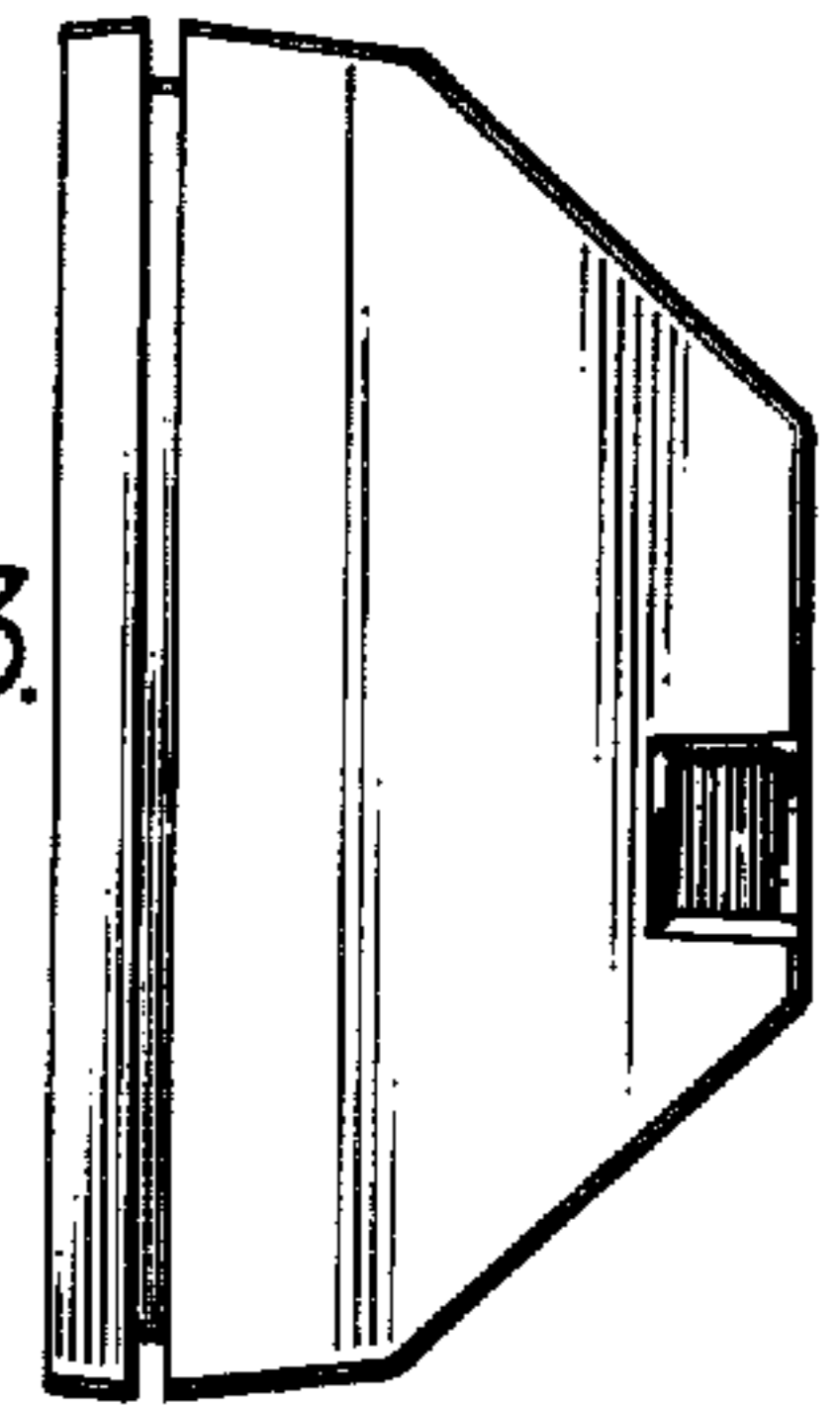
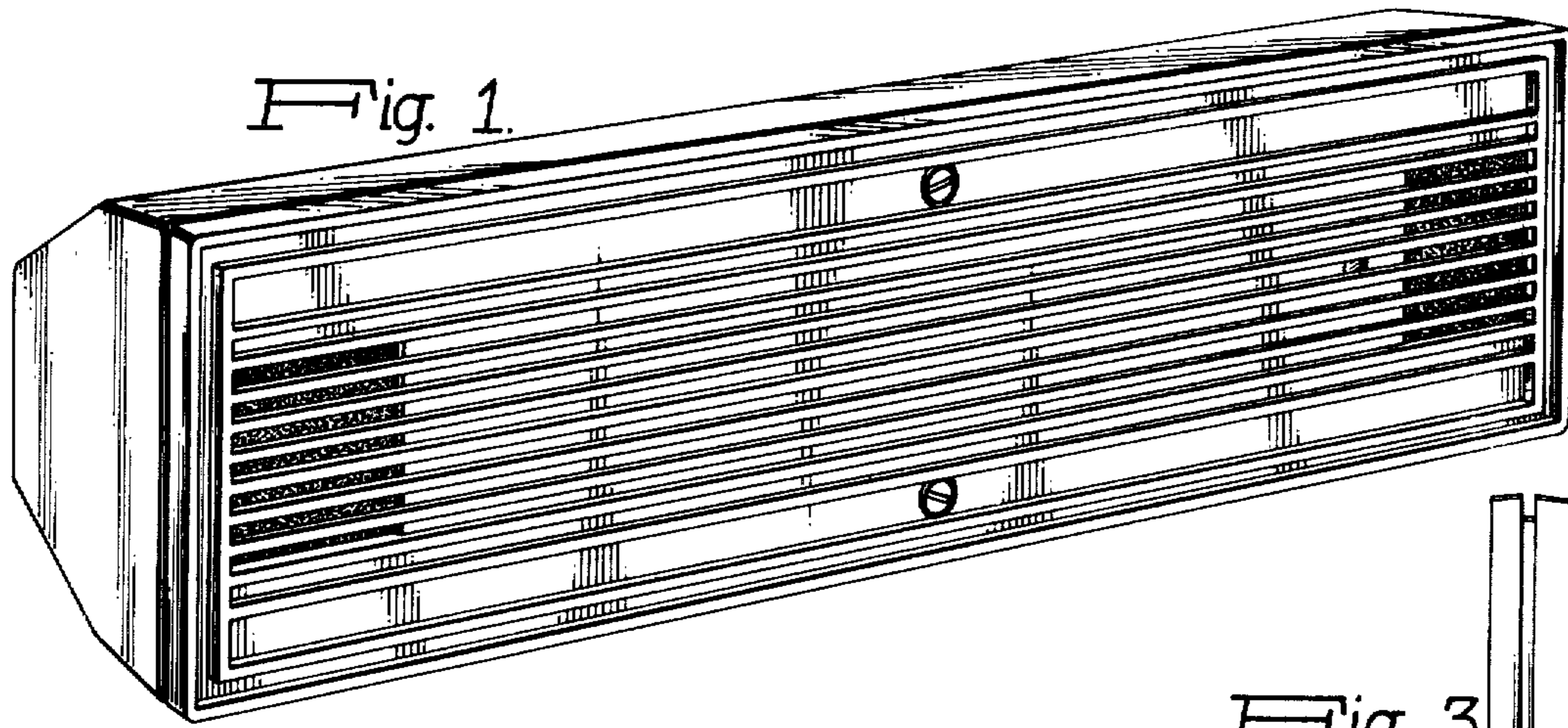


Fig. 4.

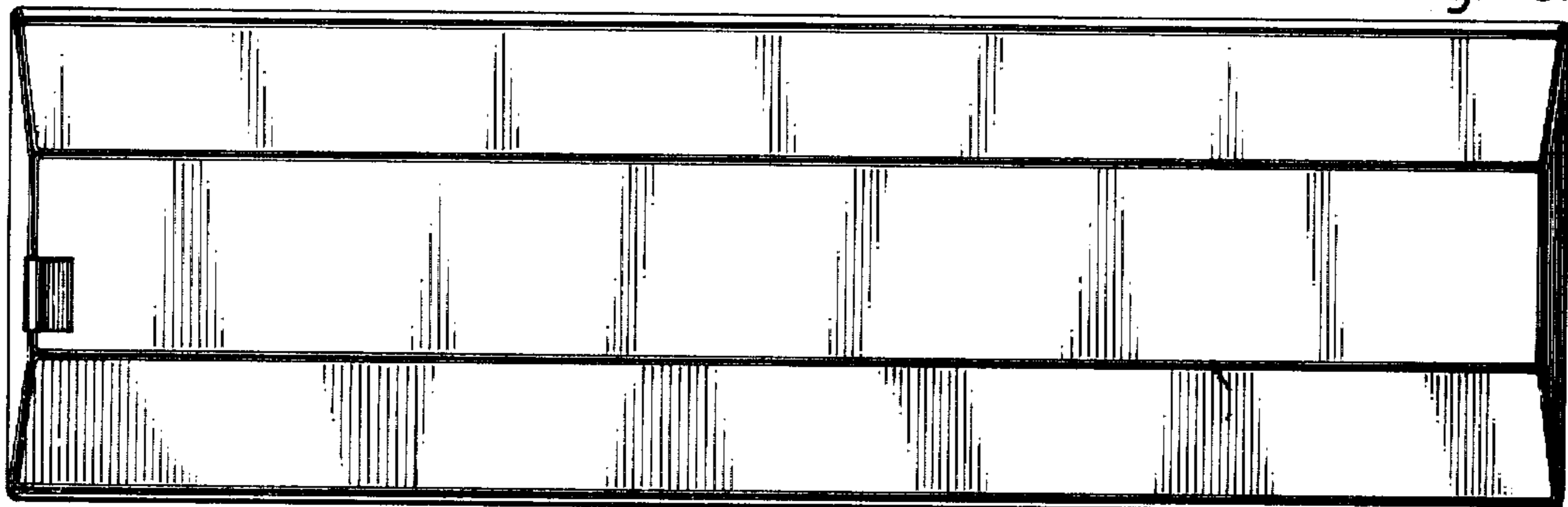


Fig. 5.