

[54] **SCREW PLUG MOUNTING FOR AN ELECTRIC IMMERSION HEATER**

[76] Inventors: **Robert D. Shirey**, 207 Ennerdale Drive, Pittsburgh, Pa. 15208; **Joseph L. Lohman**, 108 Ringold Ave., Pittsburgh, Pa. 15205

[**] Term: **14 Years**

[21] Appl. No.: **669,153**

[22] Filed: **Mar. 22, 1976**

[51] Int. Cl. **D8—08**

[52] U.S. Cl. **D23/90**

[58] Field of Search 220/288, 367, 303; 137/284; 85/1 R; D8/267, 264, 274, 273

[56]

References Cited

U.S. PATENT DOCUMENTS

1,279,651	9/1918	Campbell	220/303
1,569,881	1/1926	Reid	220/367 X
3,138,173	6/1964	Hartman	220/367 X

Primary Examiner—William N. Wertman
Attorney, Agent, or Firm—Michael Williams

[57]

CLAIM

The ornamental design for a screw plug mounting for an electric immersion heater, substantially as shown.

DESCRIPTION

FIG. 1 is a perspective view of a screw plug mounting for an electric immersion heater, showing our new design;

FIG. 2 is a top plan view of said mounting, and

FIG. 3 is a sectional view corresponding to the line 3—3 of FIG. 2.

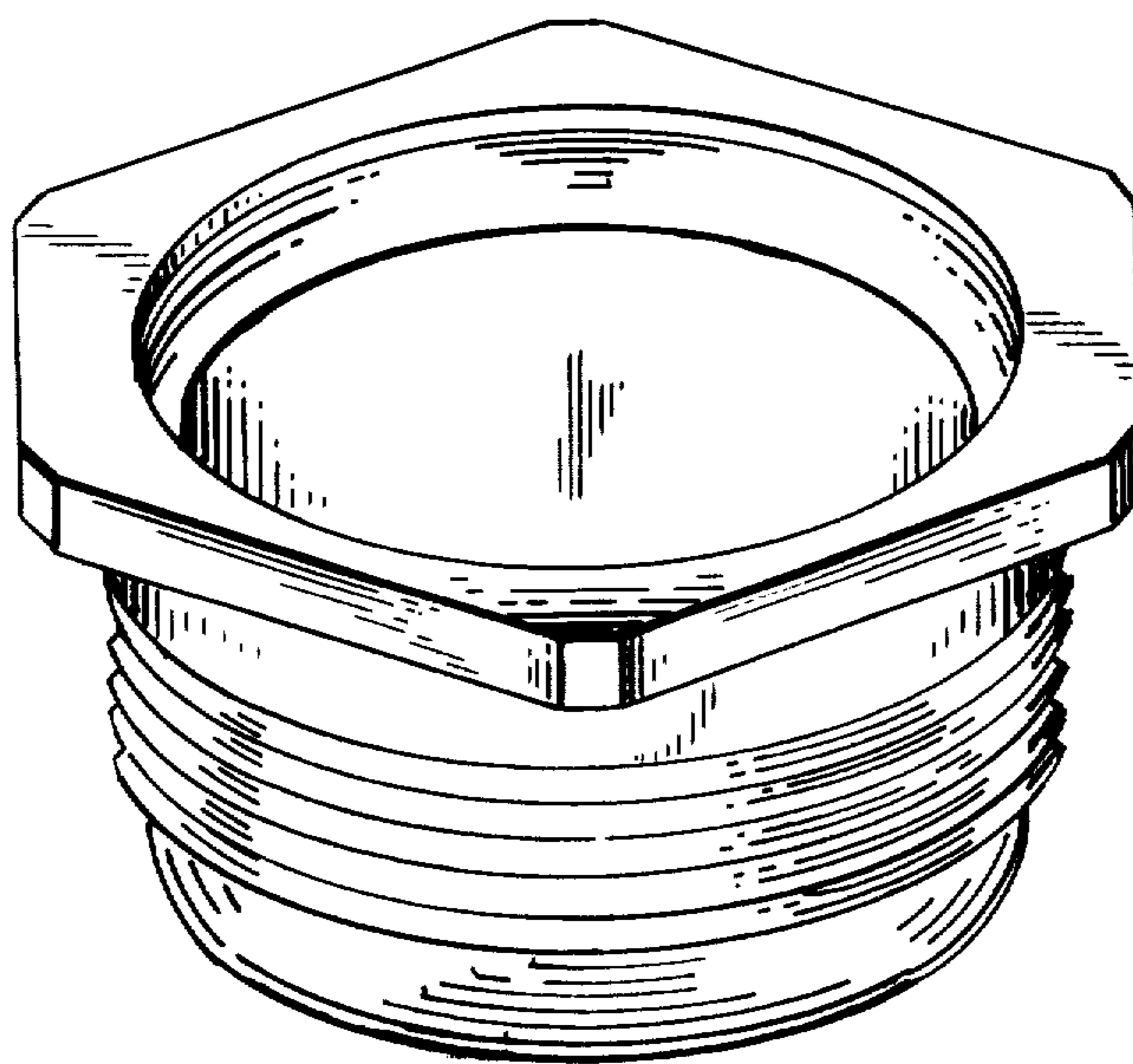


Fig. 1.

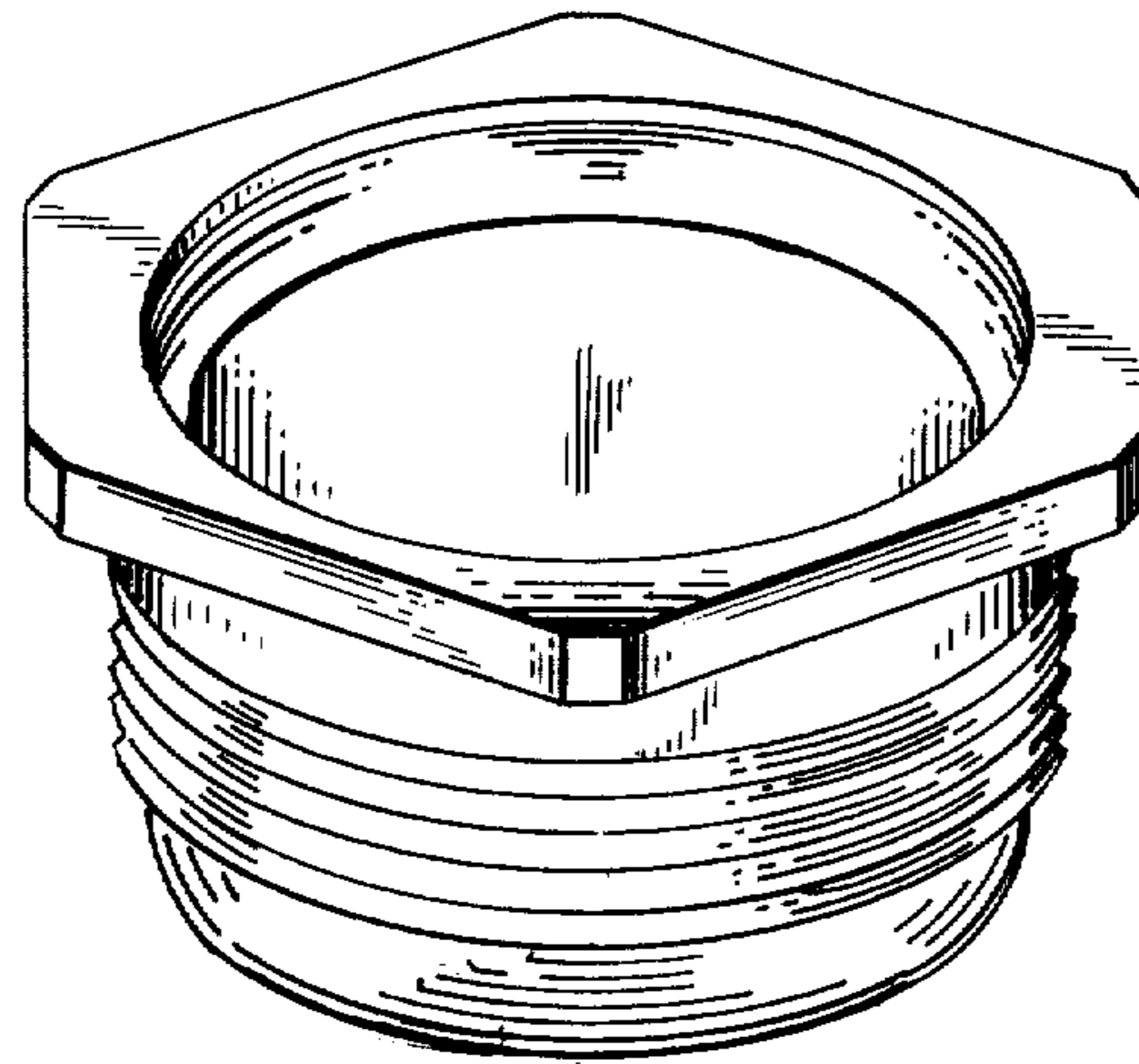


Fig. 2.

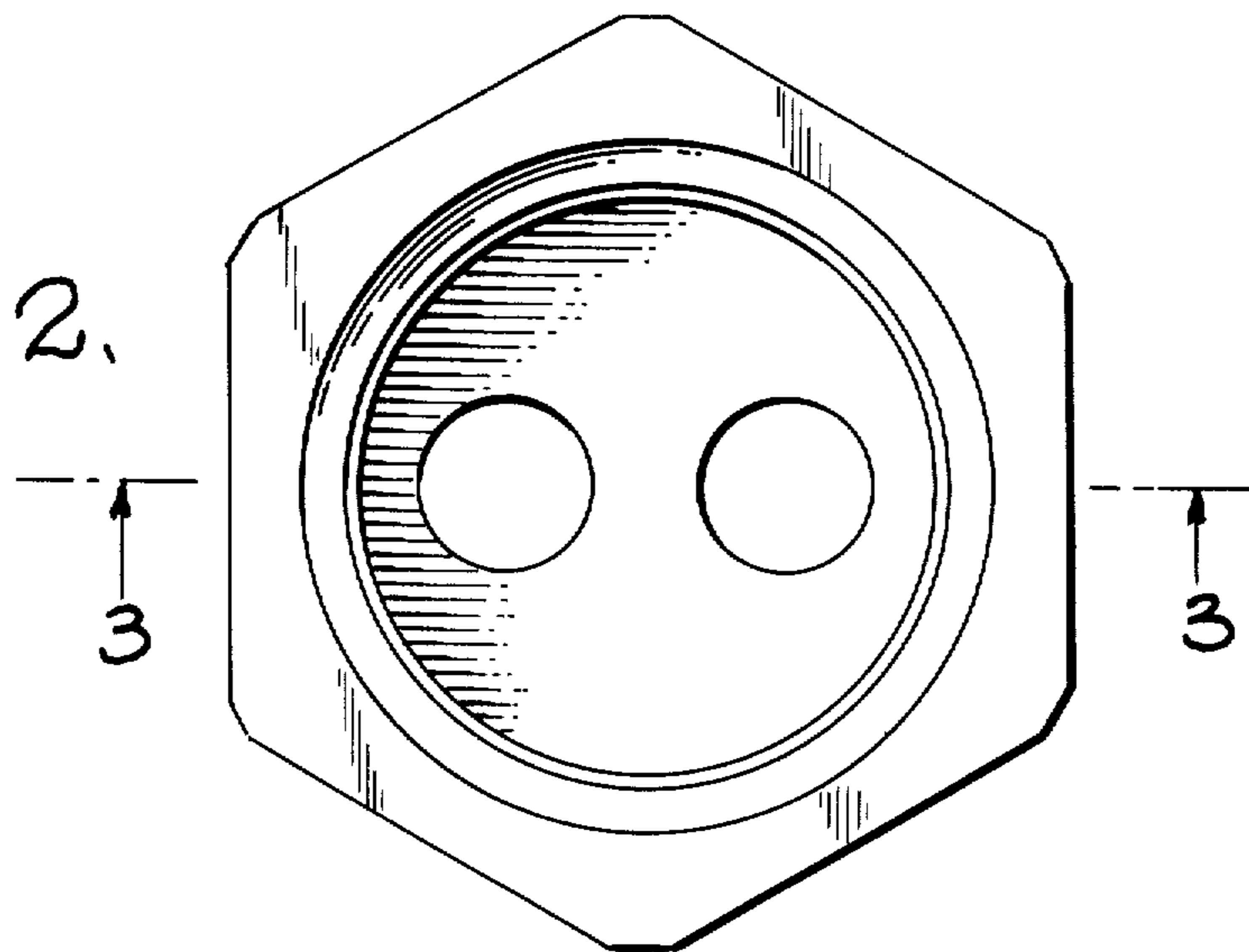


Fig. 3.

