

[54] EGG CARTON

[75] Inventor: Jørgen Nilas Petersen, Lyngby, Denmark

[73] Assignee: Aktieselskabet Brodrene Hartmann, Lyngby, Denmark

[**] Term: 14 Years

[21] Appl. No.: 528,668

[22] Filed: Dec. 2, 1974

[51] Int. Cl. D9-03

[52] U.S. Cl. D9/190

[58] Field of Search D9/190; 229/2.5

[56] References Cited

U.S. PATENT DOCUMENTS

2,924,368	2/1960	Lord et al.	D9/190 X
3,184,133	5/1965	Boyd et al.	229/2.5
3,289,911	12/1966	Boyd et al.	229/2.5
3,458,108	7/1969	Howarth et al.	229/2.5
3,572,578	4/1969	Rohdin	D9/190 X
3,715,071	2/1973	Flynn	229/2.5
3,741,461	6/1973	Hassing-Hansen	229/2.5

Primary Examiner—Robert C. Spangler
Attorney, Agent, or Firm—Willis H. Taylor, Jr.

[57] CLAIM

The ornamental design for an egg carton, substantially as shown and described.

DESCRIPTION

FIG. 1 is a top front perspective view of an egg carton showing my new design;
 FIG. 2 is a top, rear perspective view showing the end not seen in FIG. 1;
 FIG. 3 is a perspective view similar to FIG. 1 but taken from the front;
 FIG. 4 is a bottom perspective view showing the bottom, front and one end;
 FIG. 5 is an exterior perspective view of the carton in an open position;
 FIG. 6 is a view similar to FIG. 5 but taken from the opposite side;
 FIG. 7 is a view similar to FIG. 5 but taken more from the front;
 FIG. 8 is an exterior perspective view of the carton in an open position taken from one end; and
 FIG. 9 is a plan view of the interior of the carton in an open position.

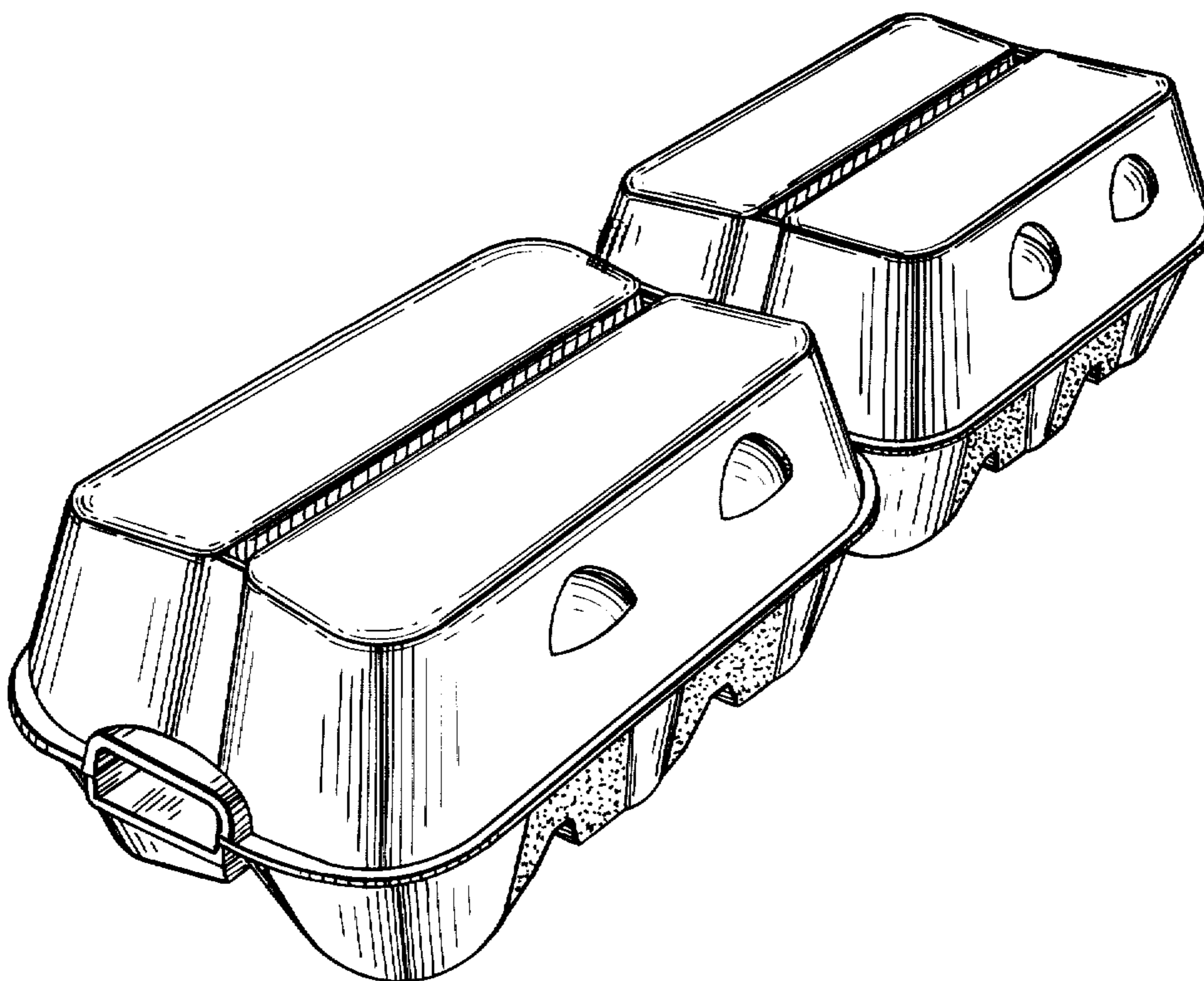


FIG. 1

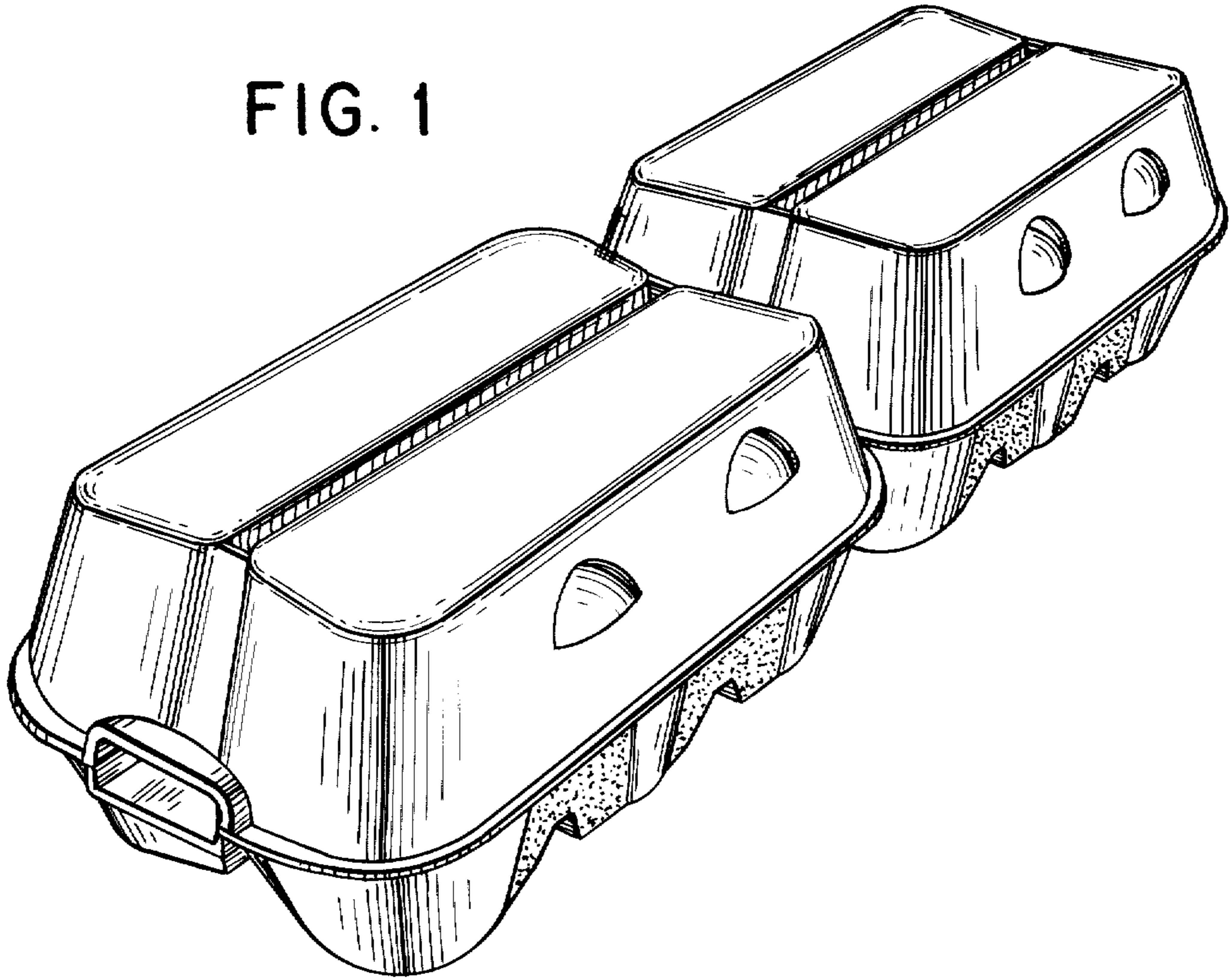


FIG. 2

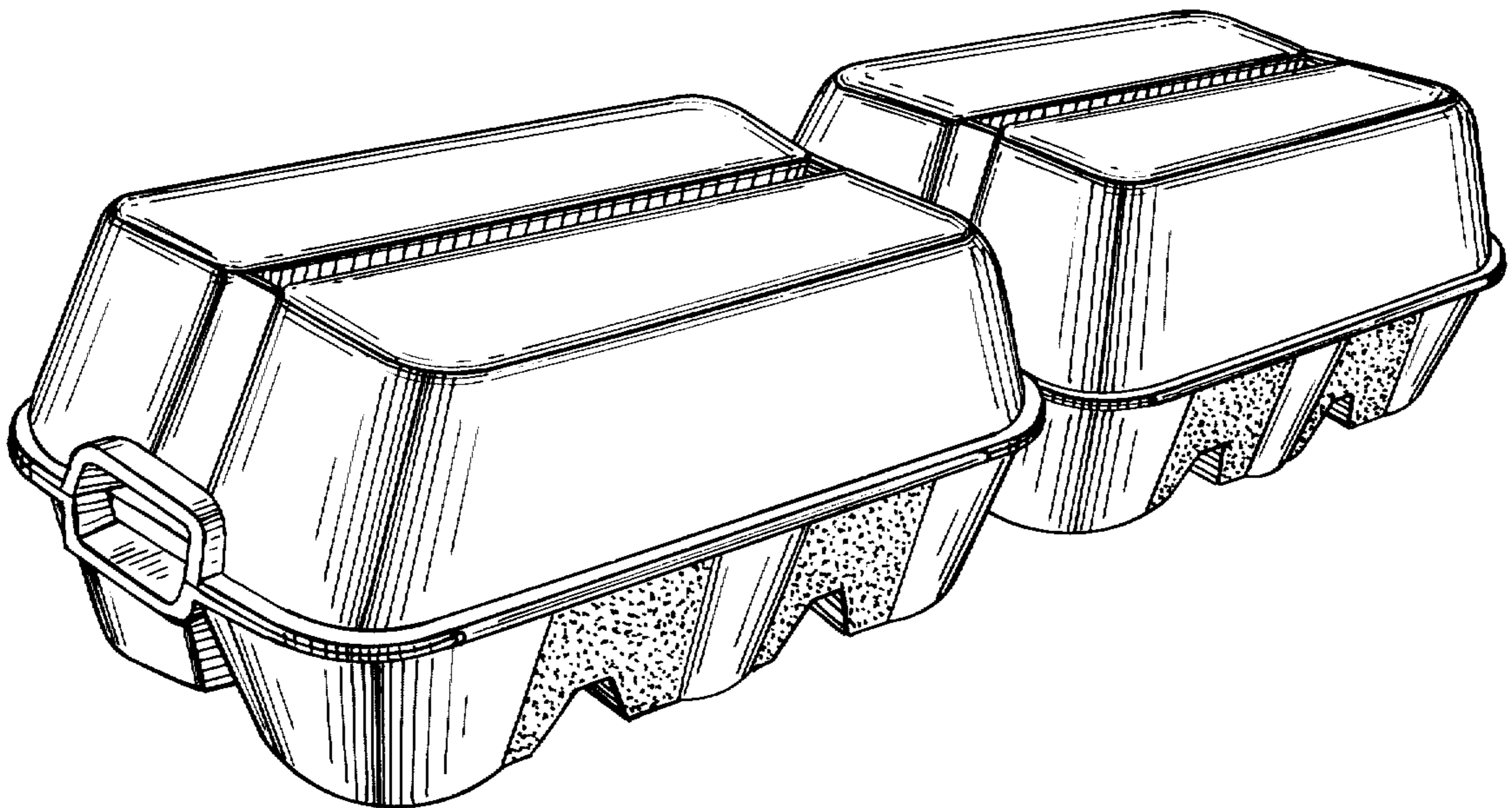


FIG. 3

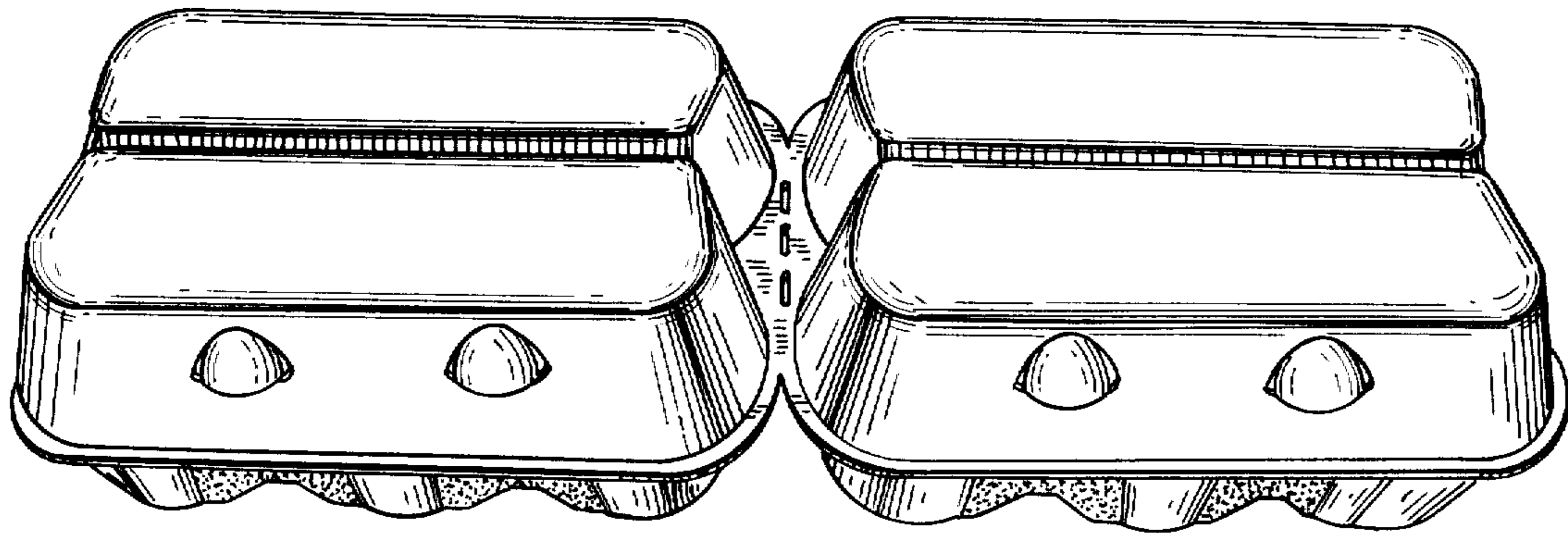


FIG. 4

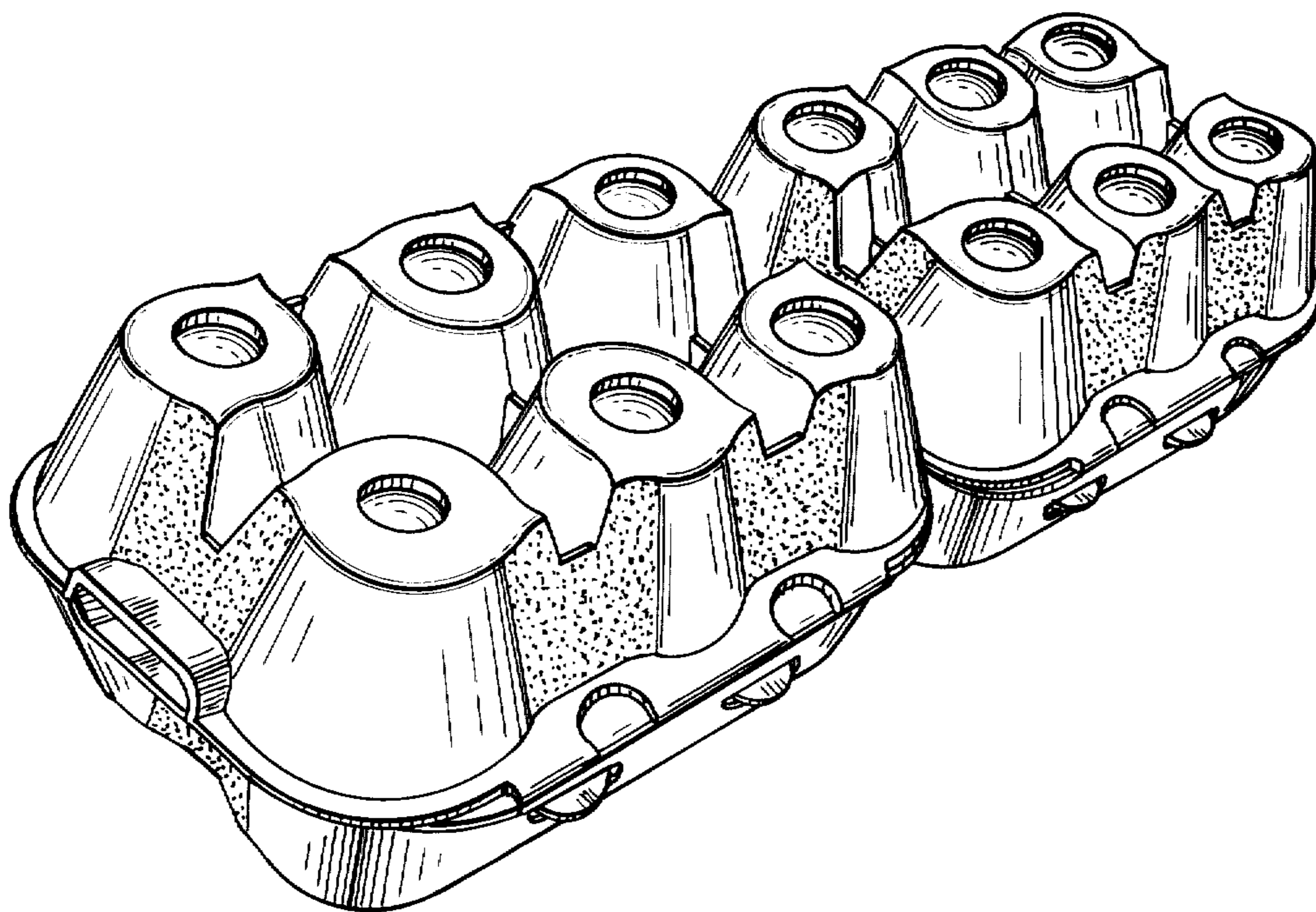


FIG. 5

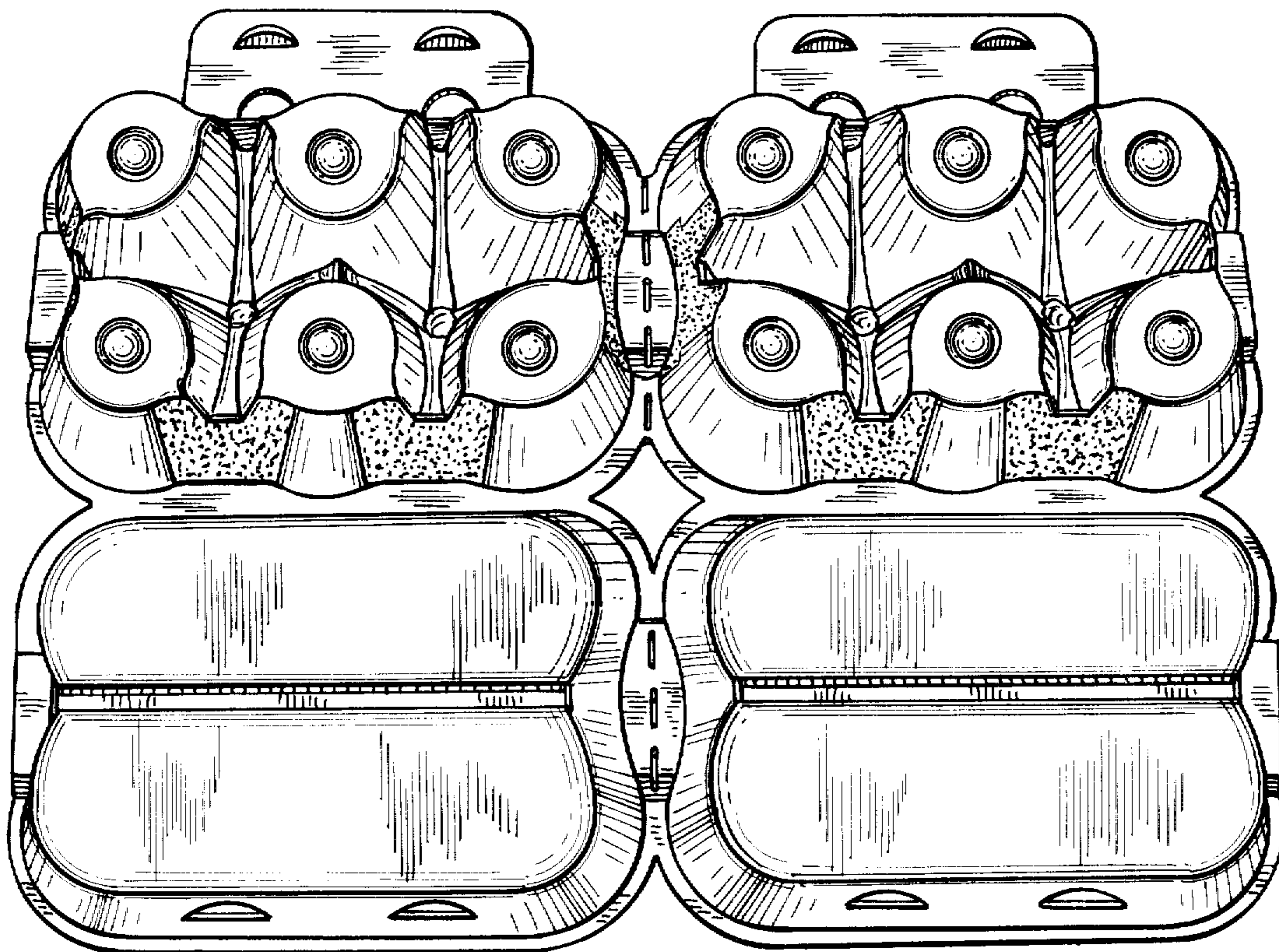


FIG. 6

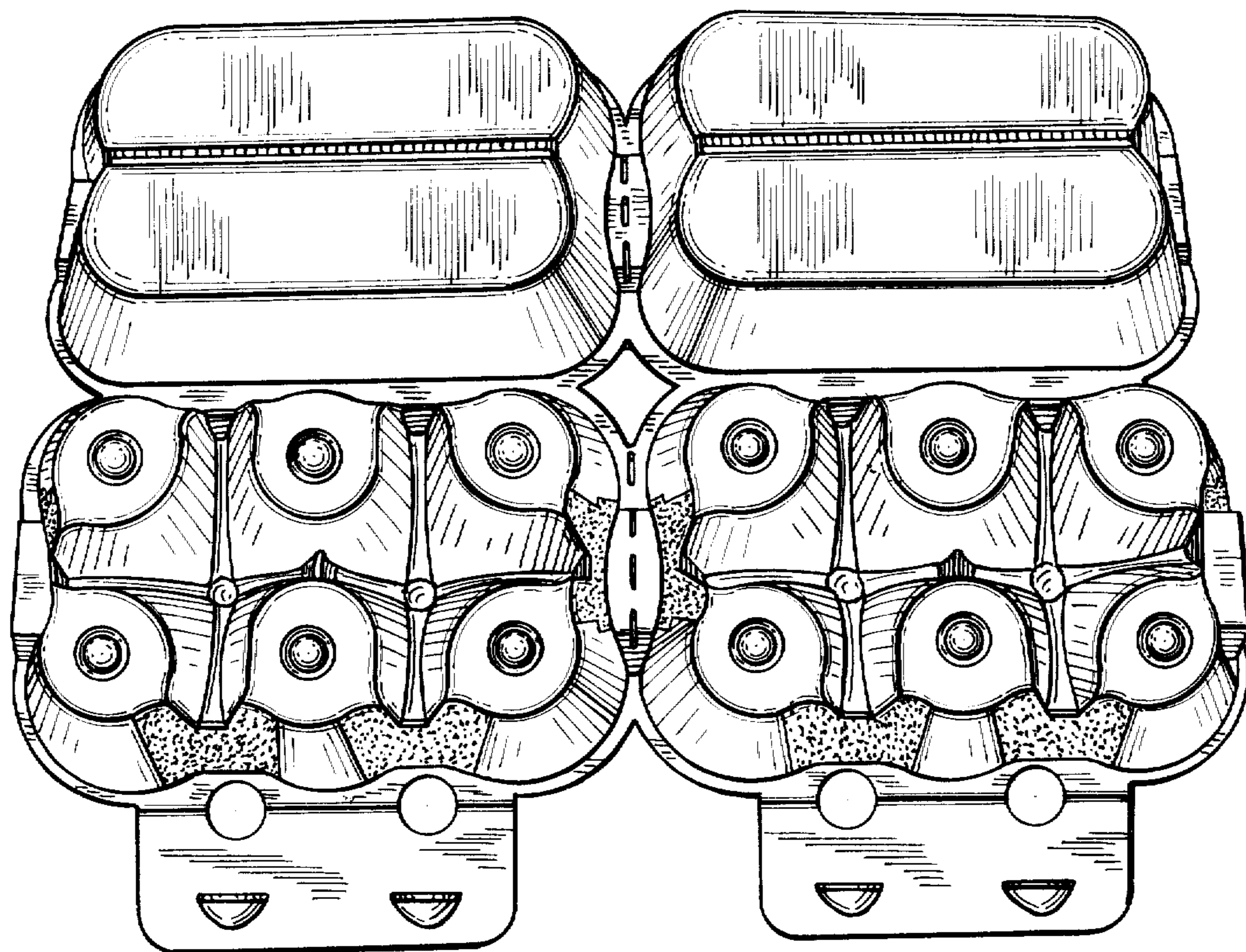


FIG. 7

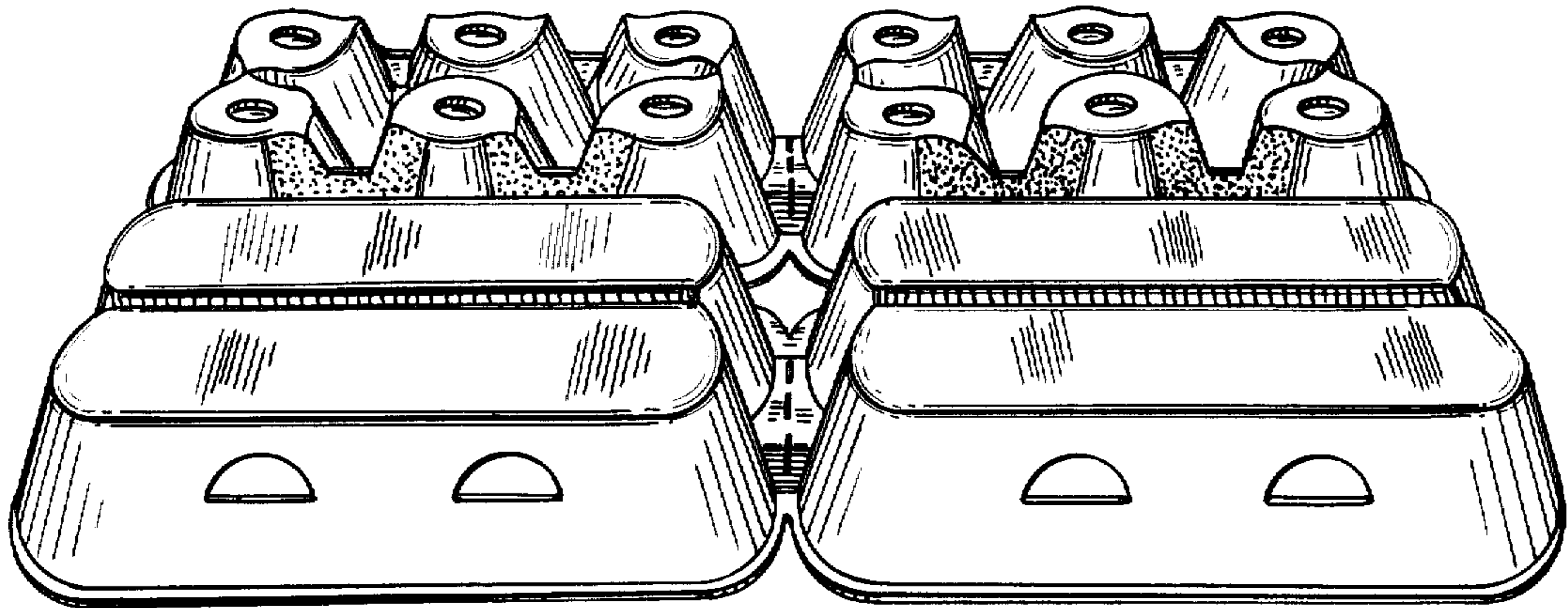


FIG. 8

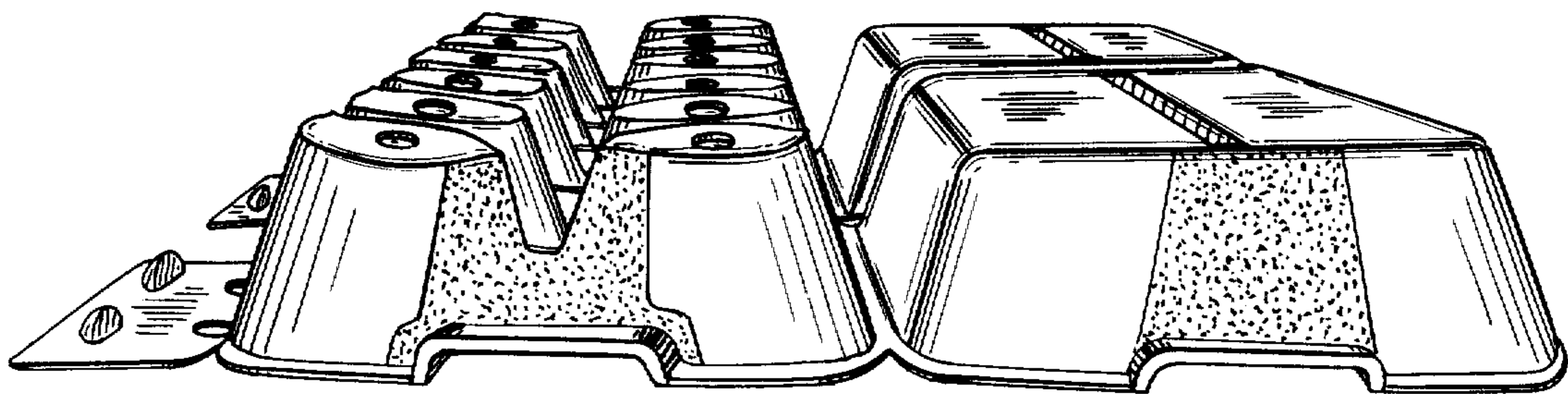


FIG. 9

