

[54] SKATE BOARD ADJUSTMENT TOOL

[76] Inventor: Albert J. Hess, 8837 Brookdale Drive, Garden Grove, Calif. 92644

[**] Term: 14 Years

[21] Appl. No.: 628,080

[22] Filed: Nov. 3, 1975

[51] Int. Cl. D8-05

[52] U.S. Cl. D8/87

[58] Field of Search D8/26, 87, 105; 81/90 R; 7/1 G

[56] References Cited

U.S. PATENT DOCUMENTS

3,276,299	10/1966	Halburian	D8/26 UX
3,578,046	5/1971	Curran	81/90 R X

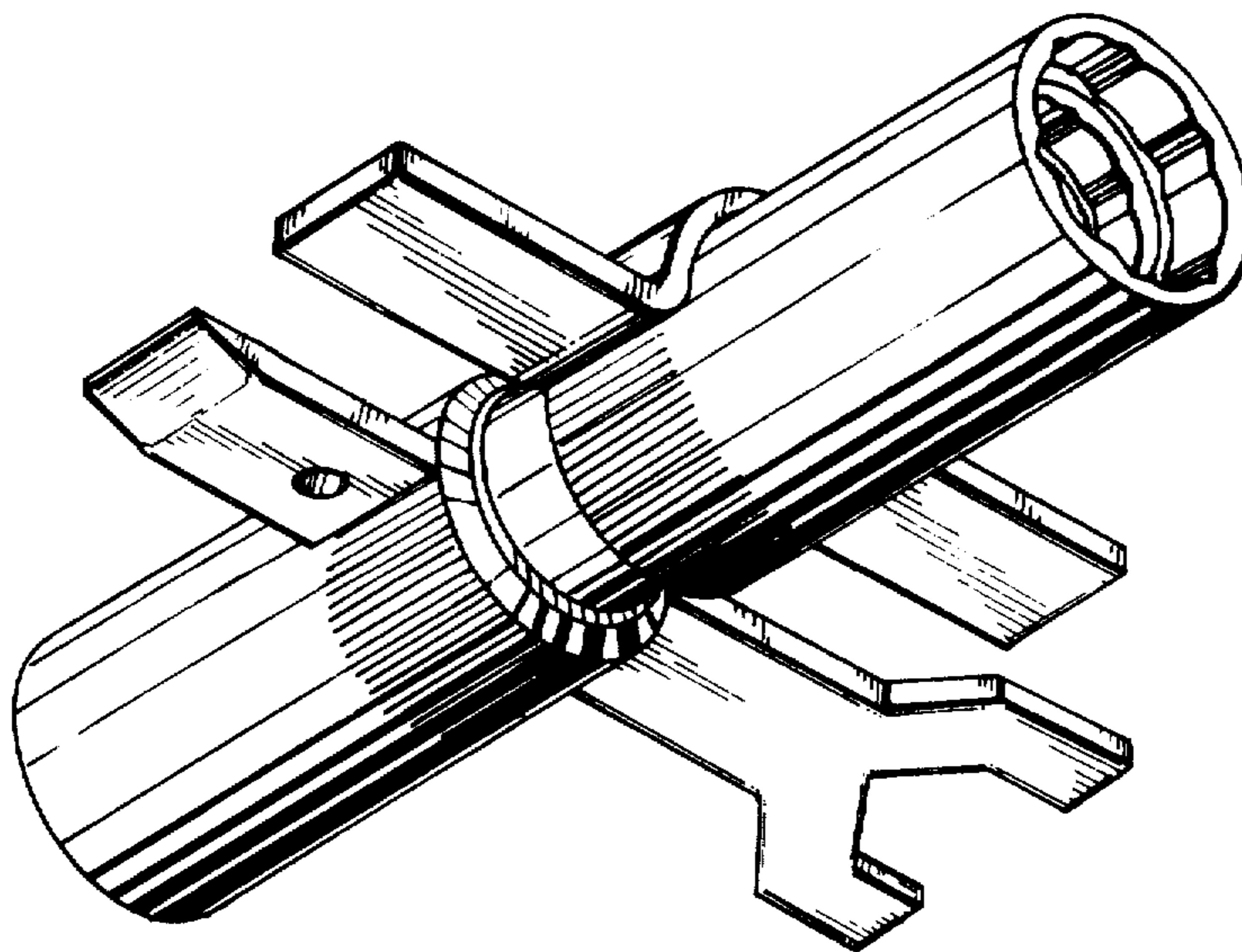
Primary Examiner—Alan P. Douglas
Attorney, Agent, or Firm—Harvey C. Nienow

[57] CLAIM

The ornamental design for a skate board adjustment tool, as shown and described.

DESCRIPTION

FIG. 1 is a perspective view of my new skate board adjustment tool;
FIG. 2 is a side view thereof;
FIG. 3 is a top view thereof;
FIG. 4 is a view of the opposite side thereof;
FIG. 5 is a bottom view thereof; and
FIGS. 6 and 7 are the views of the front and rear thereof, respectively.



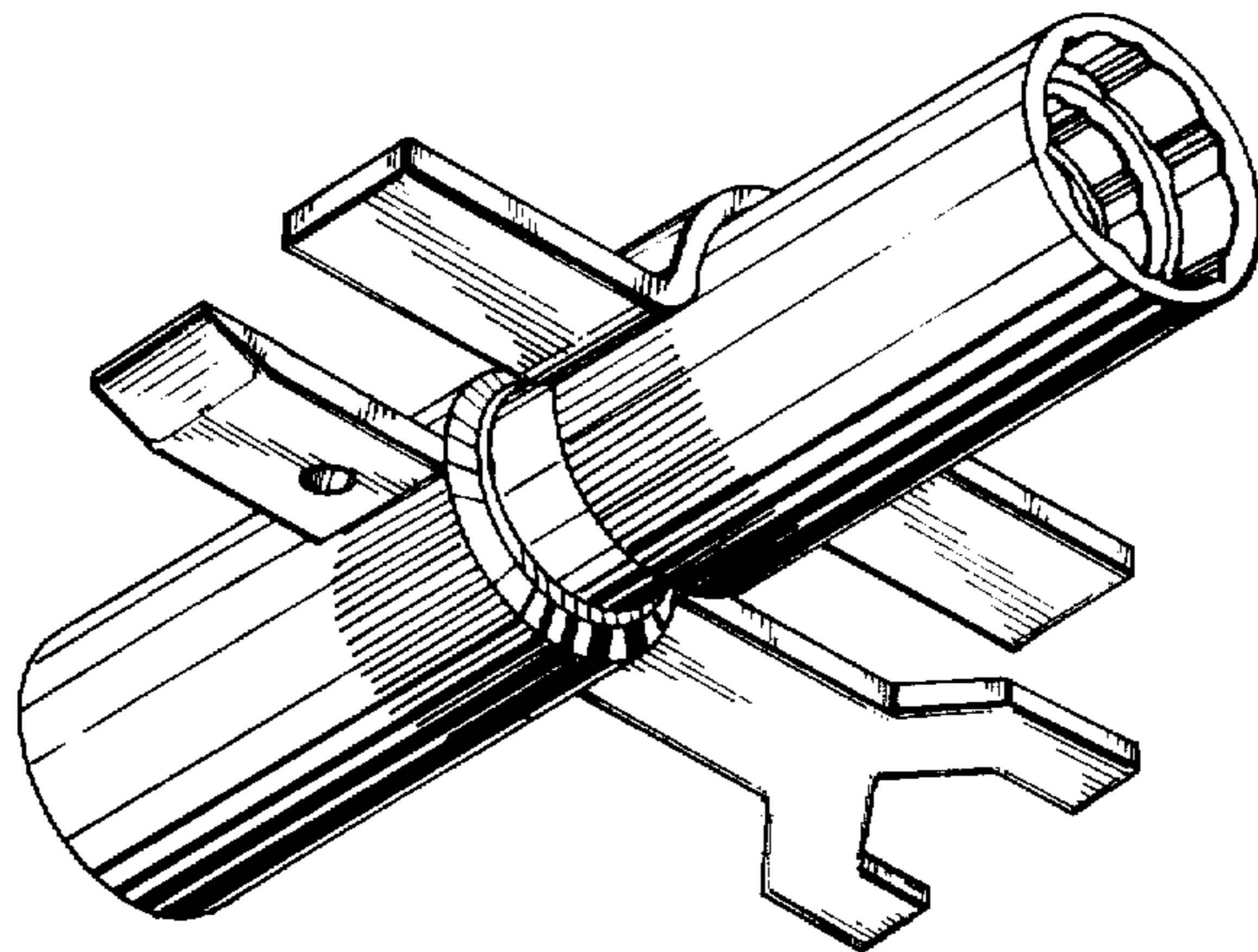


FIG. 1



FIG. 2

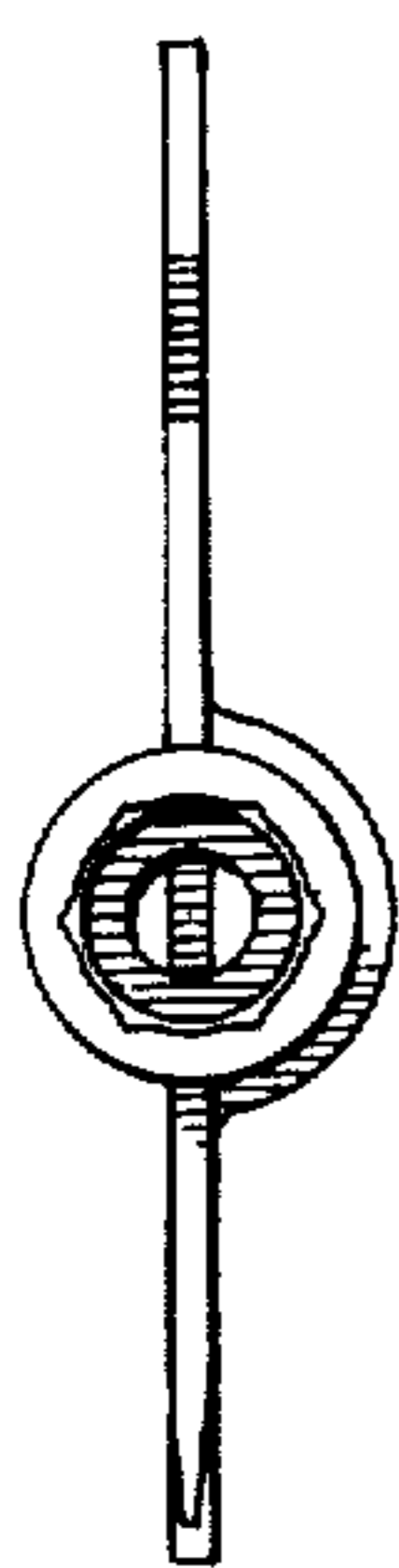


FIG. 6

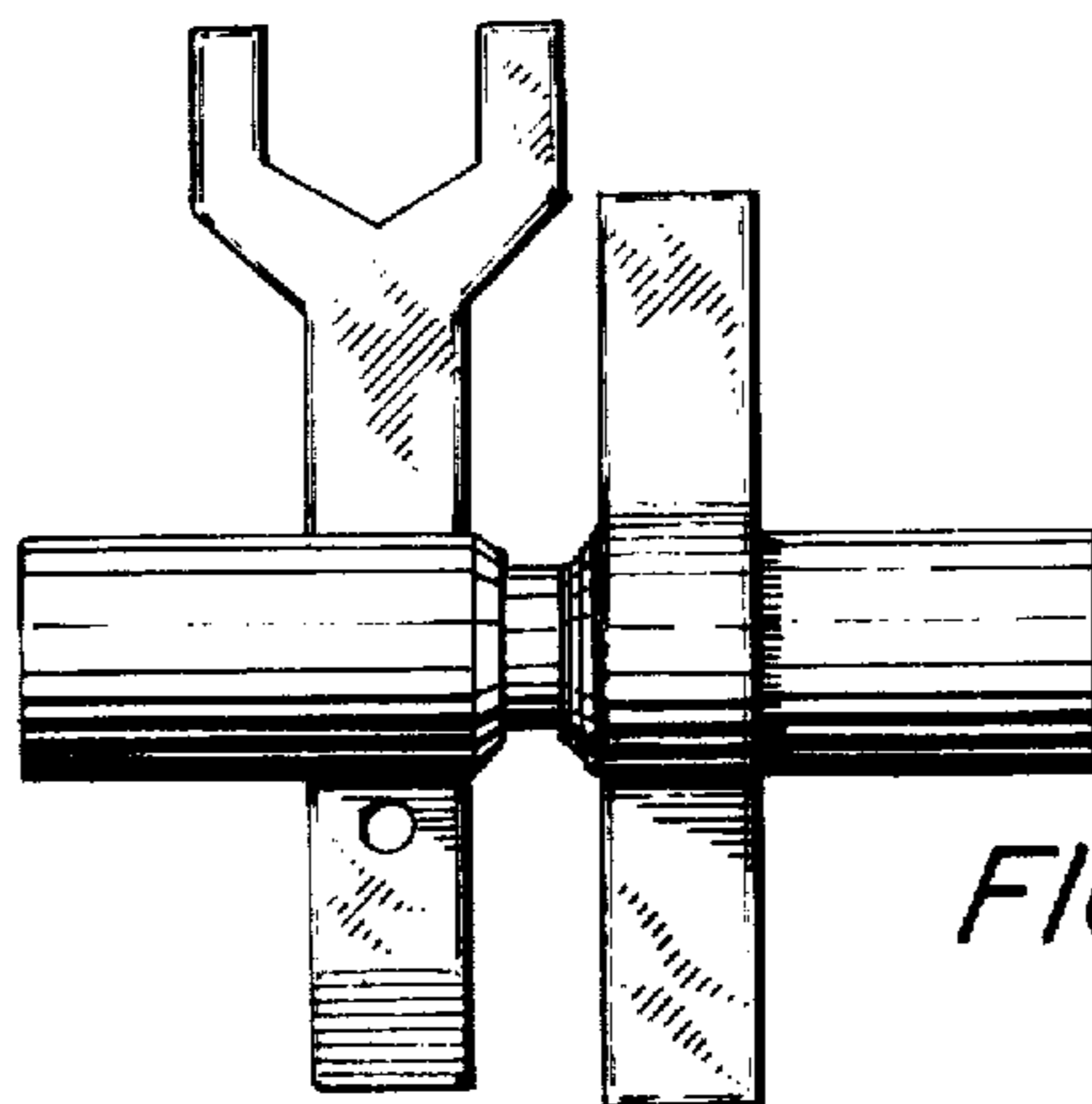


FIG. 3

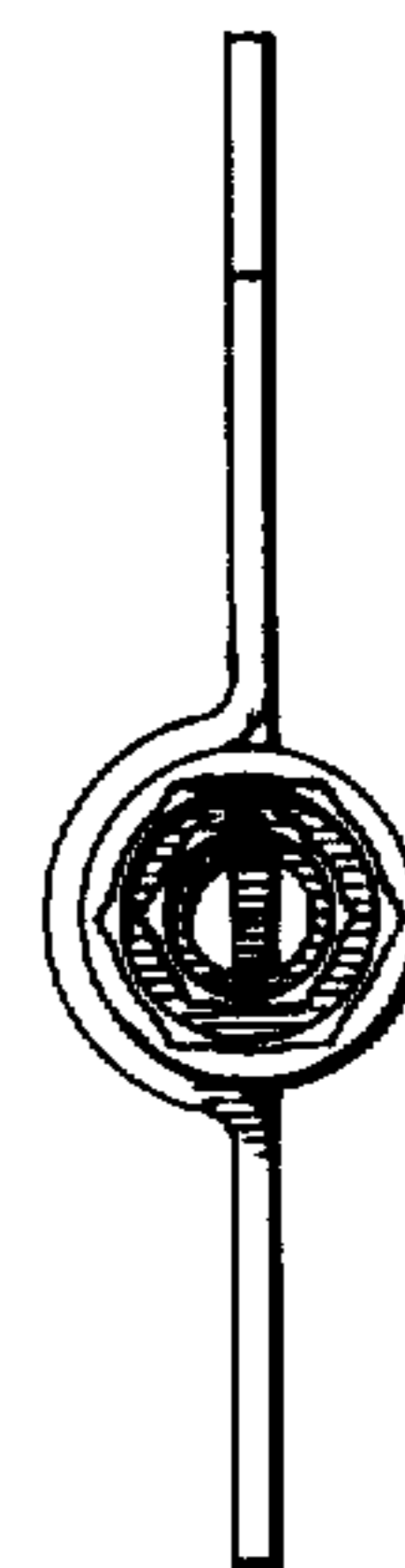


FIG. 7



FIG. 4

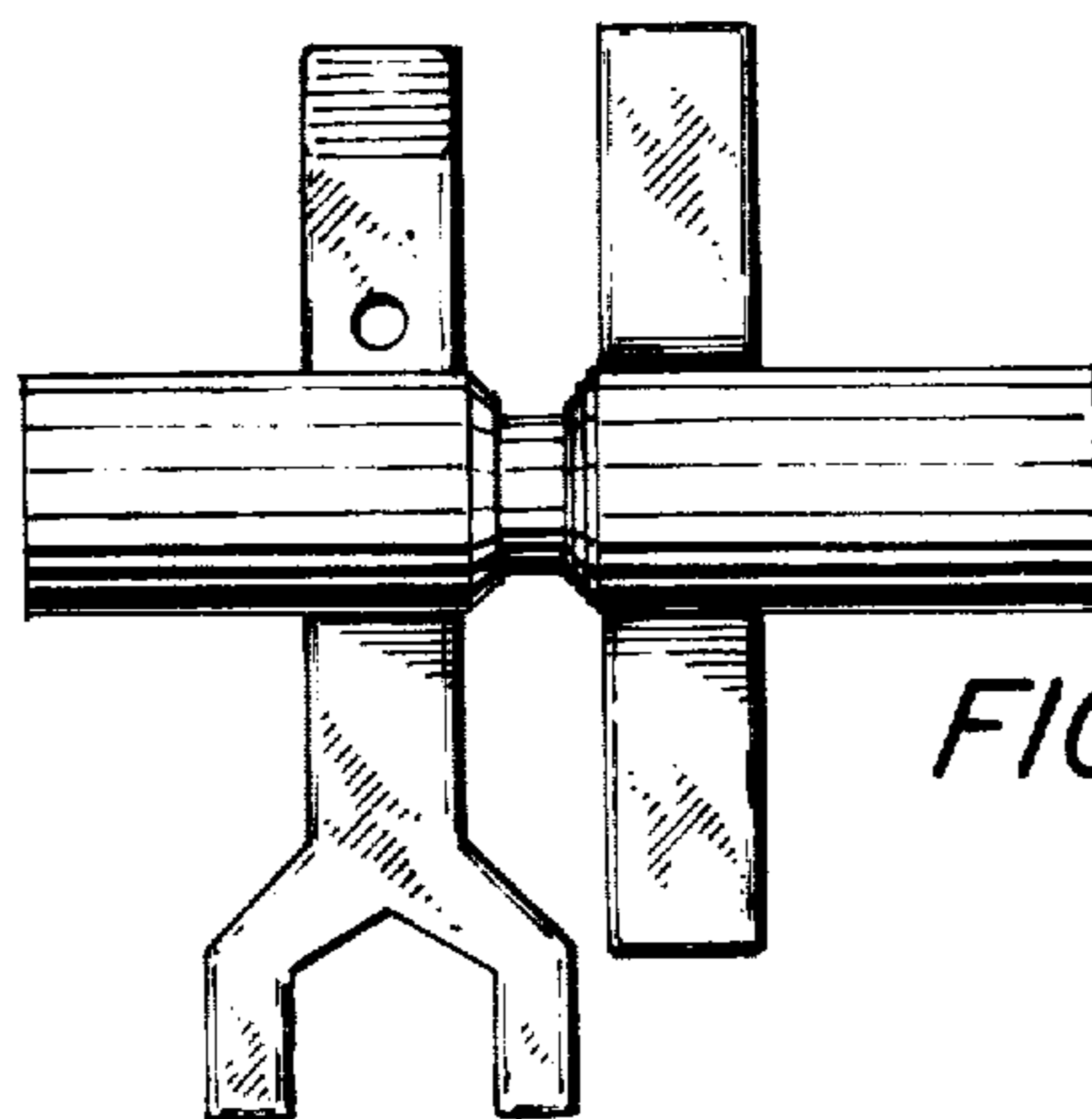


FIG. 5