

[54] **DRILL GUIDE**

[76] Inventor: **Ronald Price Hickman**, "Badgers",
Middle St., Nazeing, Waltham
Abbey, Essex, England

[**] Term: **14 Years**

[21] Appl. No.: **606,334**

[22] Filed: **Aug. 20, 1975**

[30] **Foreign Application Priority Data**

Feb. 21, 1975 United Kingdom 969979/75

[51] Int. Cl. **D8-05**

[52] U.S. Cl. **D8/14**

[58] Field of Search **D8/14; 408/115**

[56] **References Cited**

U.S. PATENT DOCUMENTS

3,775,620 11/1973 Stoutenberg 408/115
3,804,546 4/1974 Boyajian 408/115
D. 228,612 10/1973 Covey D8/14

Primary Examiner—Alan P. Douglas

Attorney, Agent, or Firm—Granville M. Brumbaugh

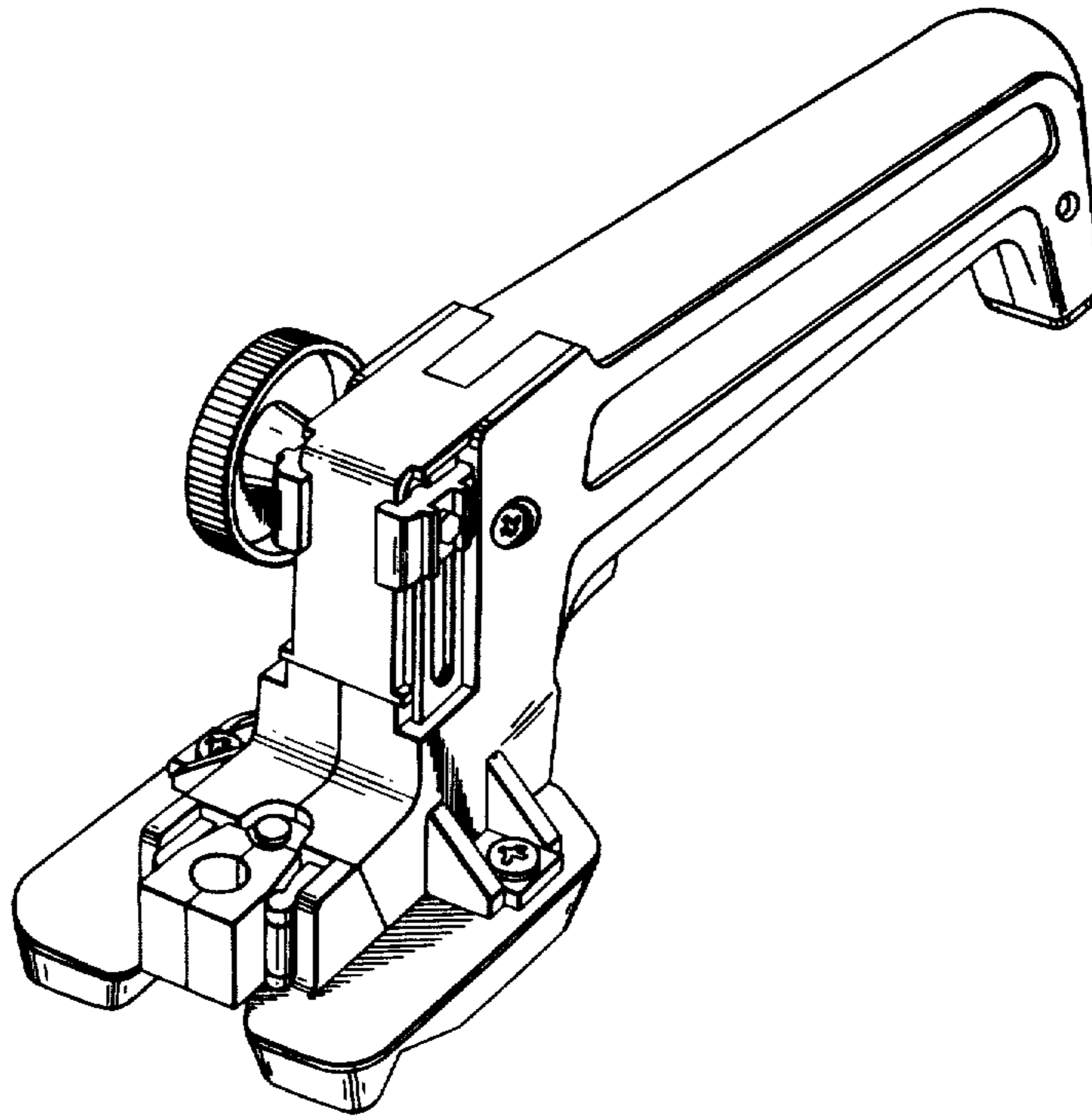
[57] **CLAIM**

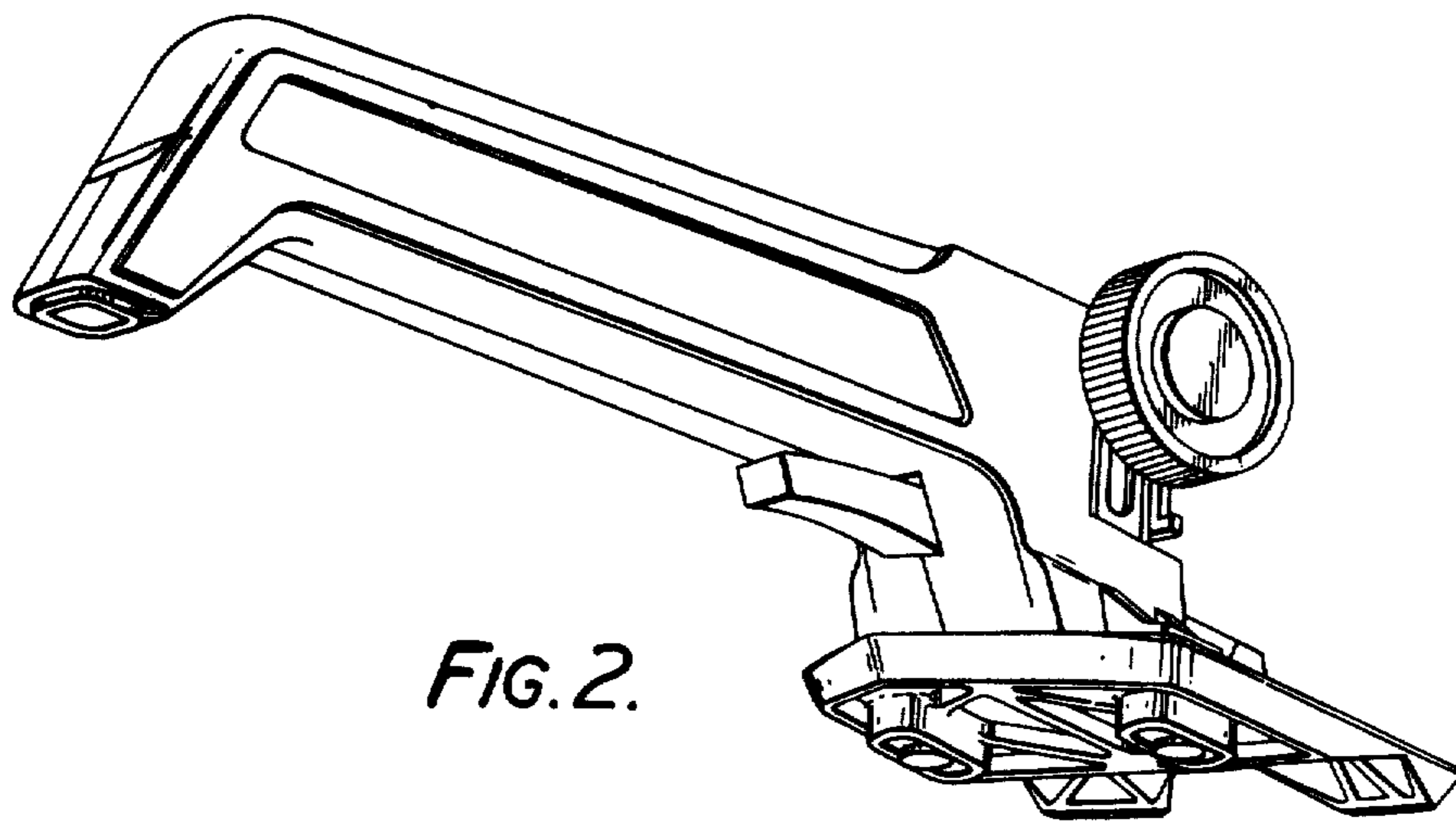
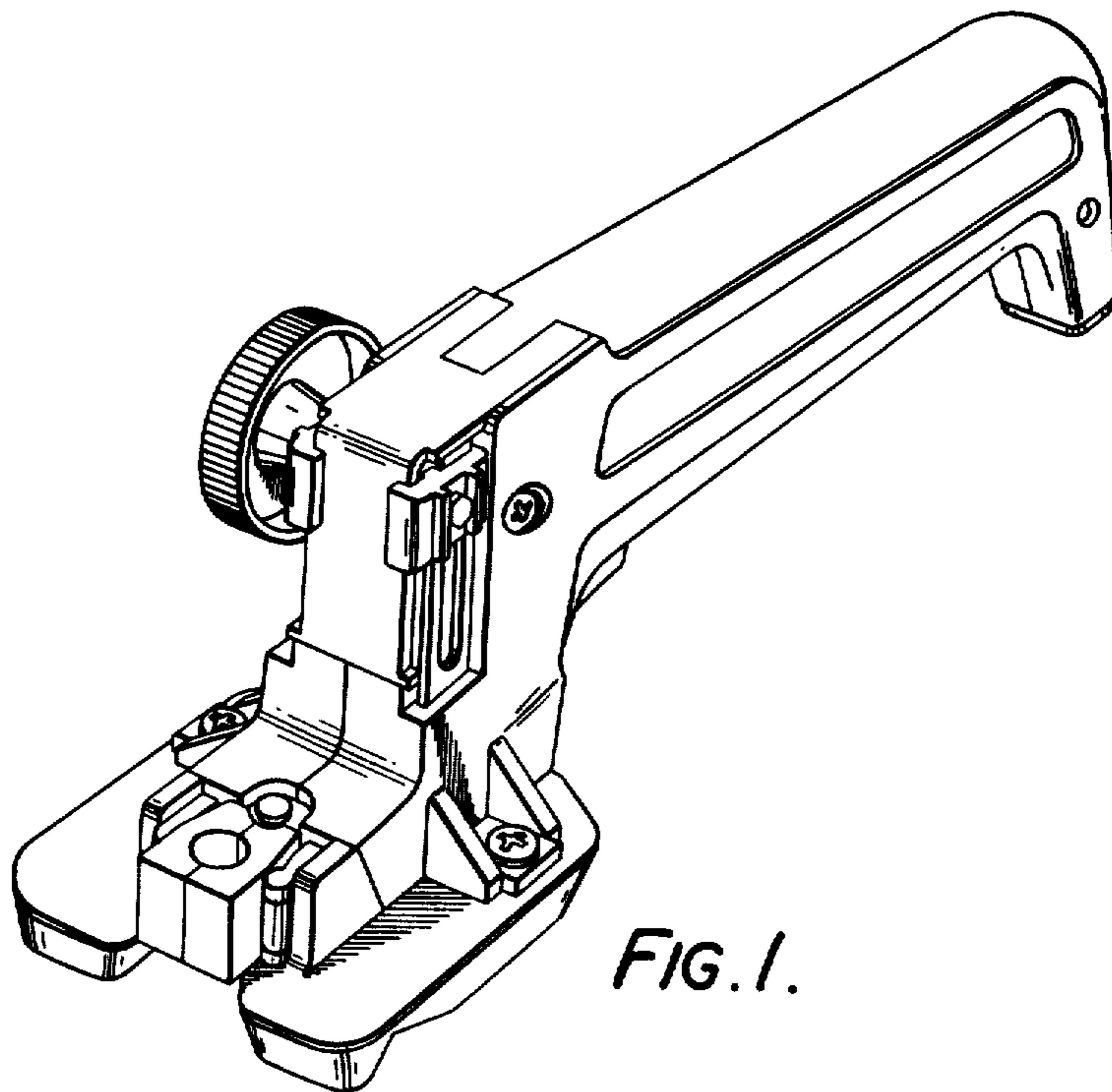
The ornamental design for a drill guide, substantially as shown and described.

DESCRIPTION

FIG. 1 is a perspective view of a drill guide according to this invention from the front and one side;

FIG. 2 is a perspective view of a drill guide according to this invention from the rear and the other side.





UNITED STATES PATENT AND TRADEMARK OFFICE
CERTIFICATE OF CORRECTION

PATENT NO. : D243,505
DATED : March 1, 1977
INVENTOR(S) : Ronald Price Hickman

It is certified that error appears in the above-identified patent and that said Letters Patent are hereby corrected as shown below:

In the Heading:

Page 1, line 1, change "[76]" to --[75]--;

Page 1, line 4, after "Abbey, Essex, England"

insert as a new paragraph:

-- [73] Assignee: Inventec International Limited
Point Robert, Sark, Channel Islands--.

Signed and Sealed this

First Day of November 1977

[SEAL]

Attest:

RUTH C. MASON
Attesting Officer

LUTRELLE F. PARKER
Acting Commissioner of Patents and Trademarks