

[54] BURNER ASSEMBLY FOR A PORTABLE COOKING STOVE

D. 236,867 9/1975 Horholt ..... D7/136

[76] Inventor: Ming Kong Chan, 58 Pau Chung St., Tokwawan, Kowloon, Hong Kong

Primary Examiner—Wallace R. Burke  
Assistant Examiner—Catherine Kemper  
Attorney, Agent, or Firm—Neil F. Markva

[\*\*] Term: 14 Years

[21] Appl. No.: 585,984

[22] Filed: June 11, 1975

[30] Foreign Application Priority Data

Feb. 21, 1975 United Kingdom ..... 969974/75

[51] Int. Cl. .... D7-04

[52] U.S. Cl. .... D7/136

[58] Field of Search ..... D7/107-110,  
D7/136; 126/39, 214

[56] References Cited

U.S. PATENT DOCUMENTS

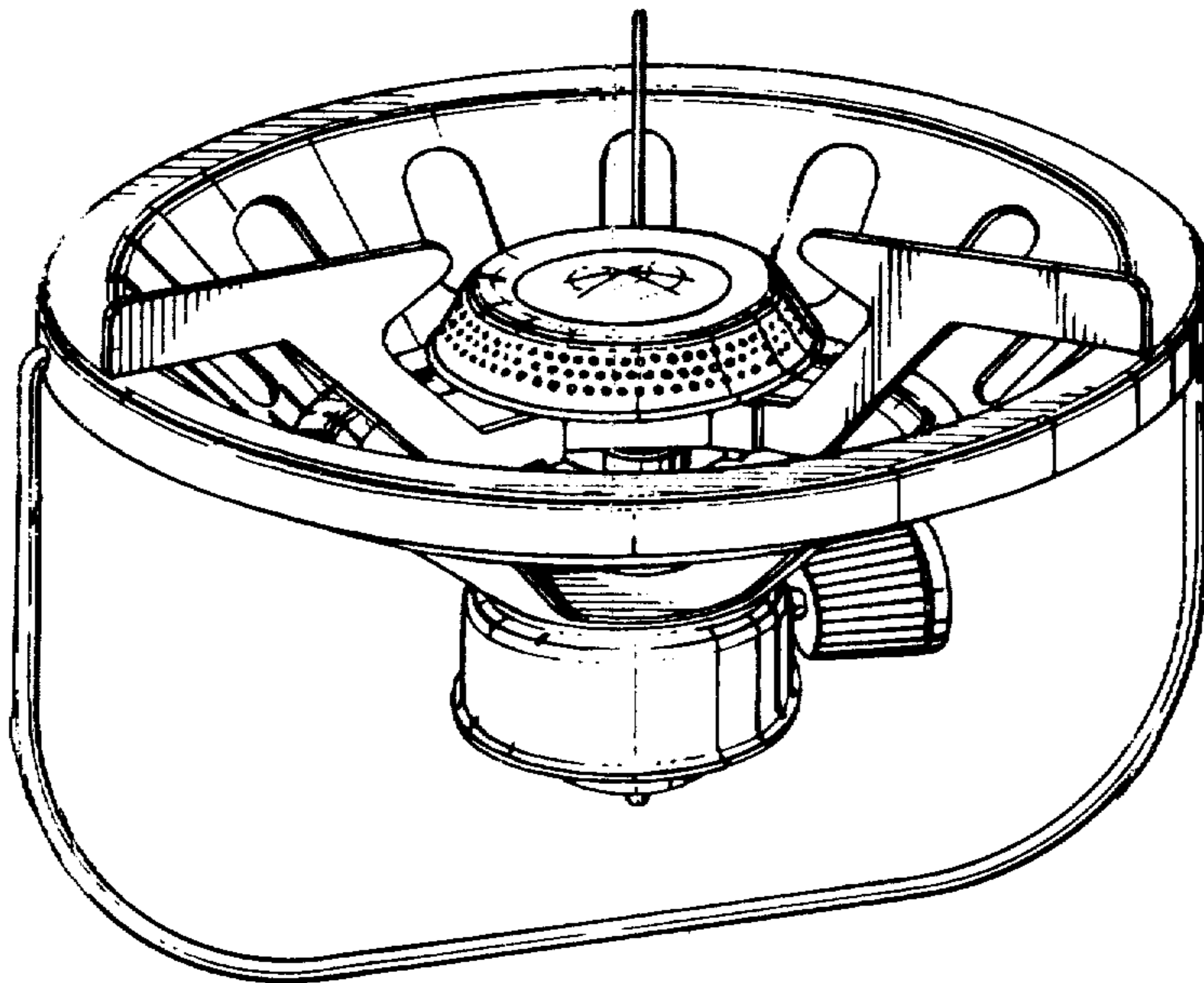
3,822,982 7/1974 Du Perow ..... 126/39 E X

[57] CLAIM

The ornamental design for a burner assembly for a portable cooking stove, substantially as shown and described.

DESCRIPTION

FIG. 1 is a front elevational view of a burner assembly for a portable cooking stove showing my new design; FIG. 2 is a side elevational view thereof; FIG. 3 is a top plan view thereof; FIG. 4 is a bottom plan view thereof; FIG. 5 is a top perspective view thereof; and FIG. 6 is a bottom perspective view thereof.



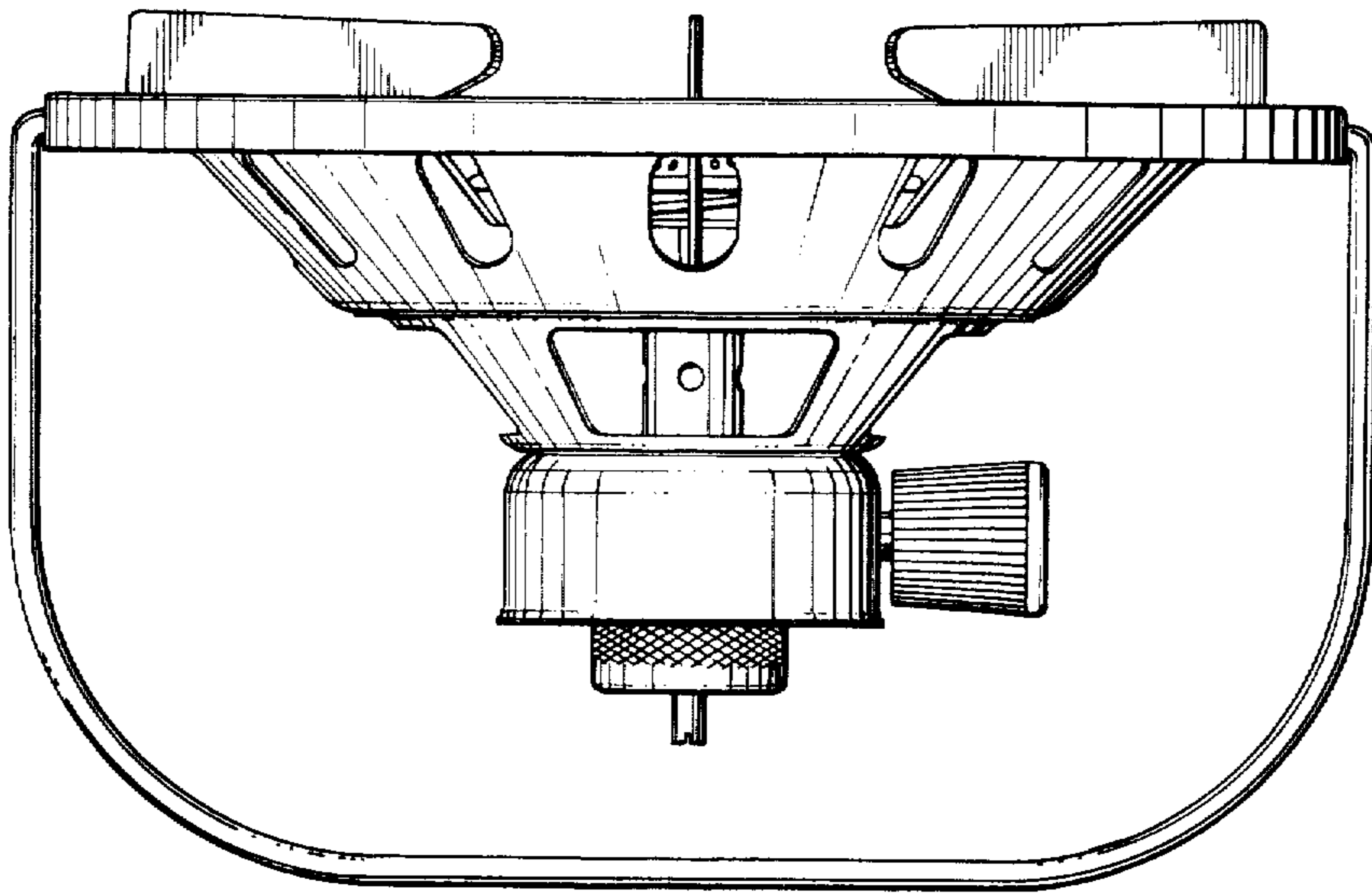


FIG. 1

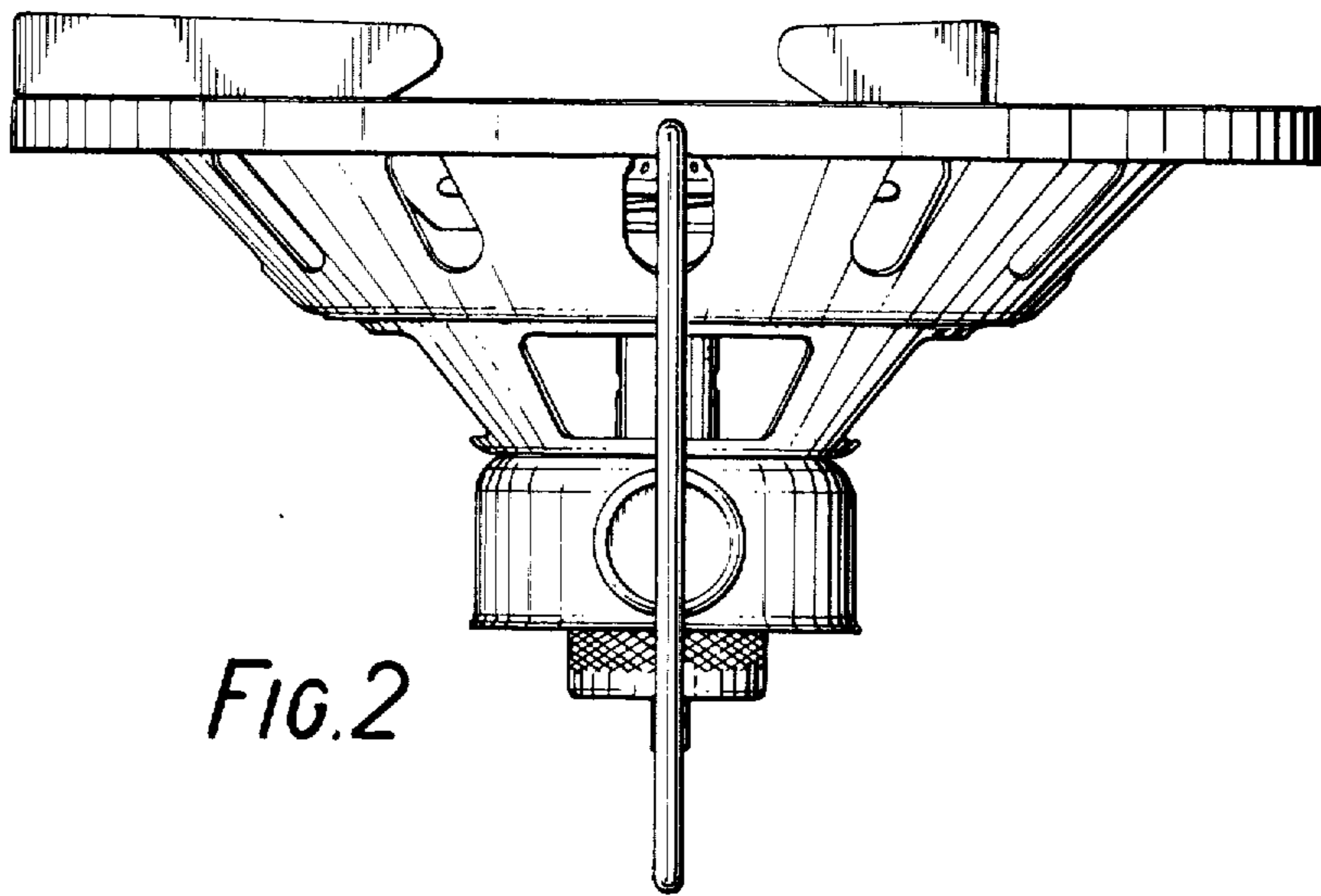


FIG. 2

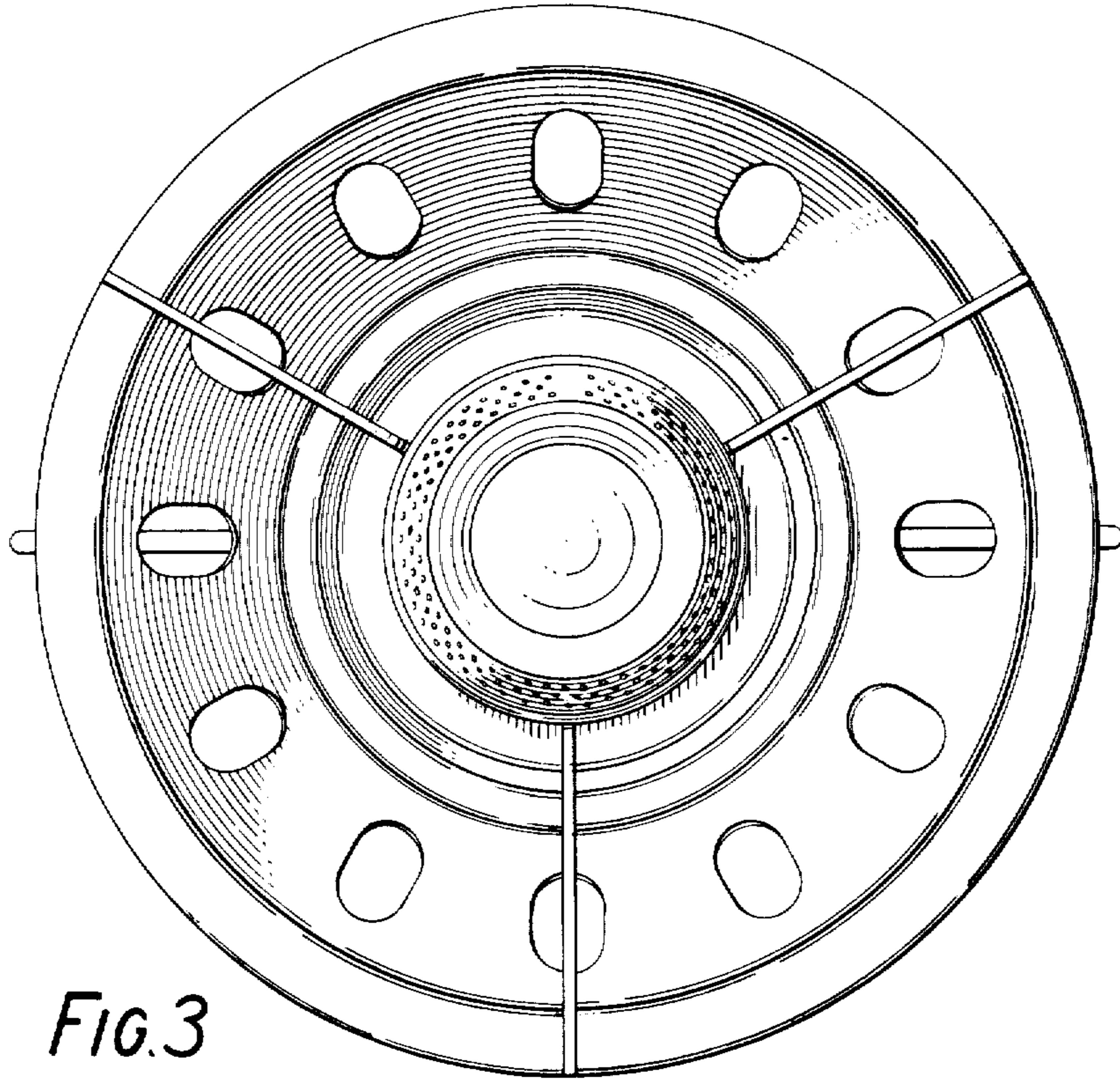


FIG. 3

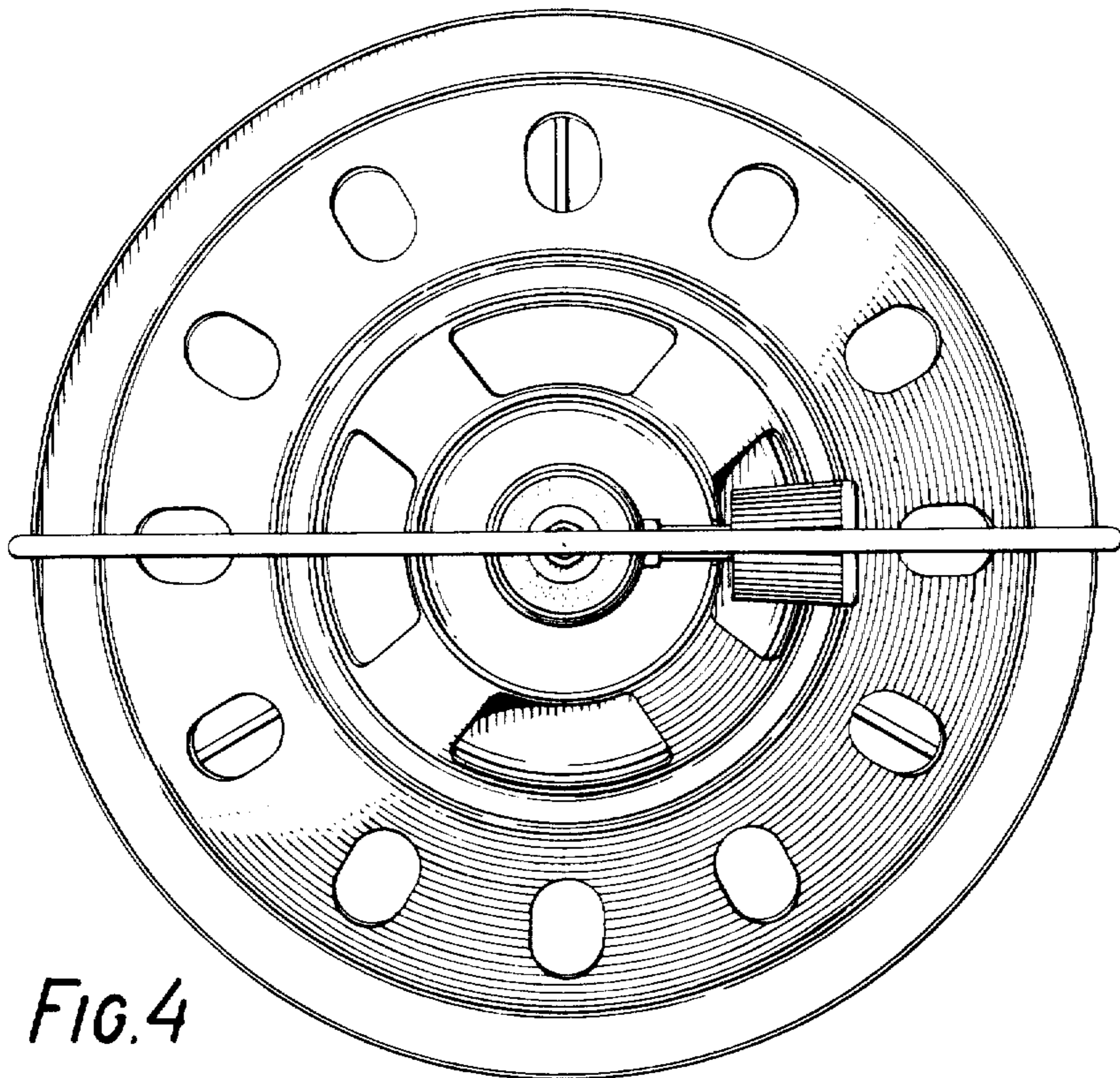


FIG. 4

FIG. 5

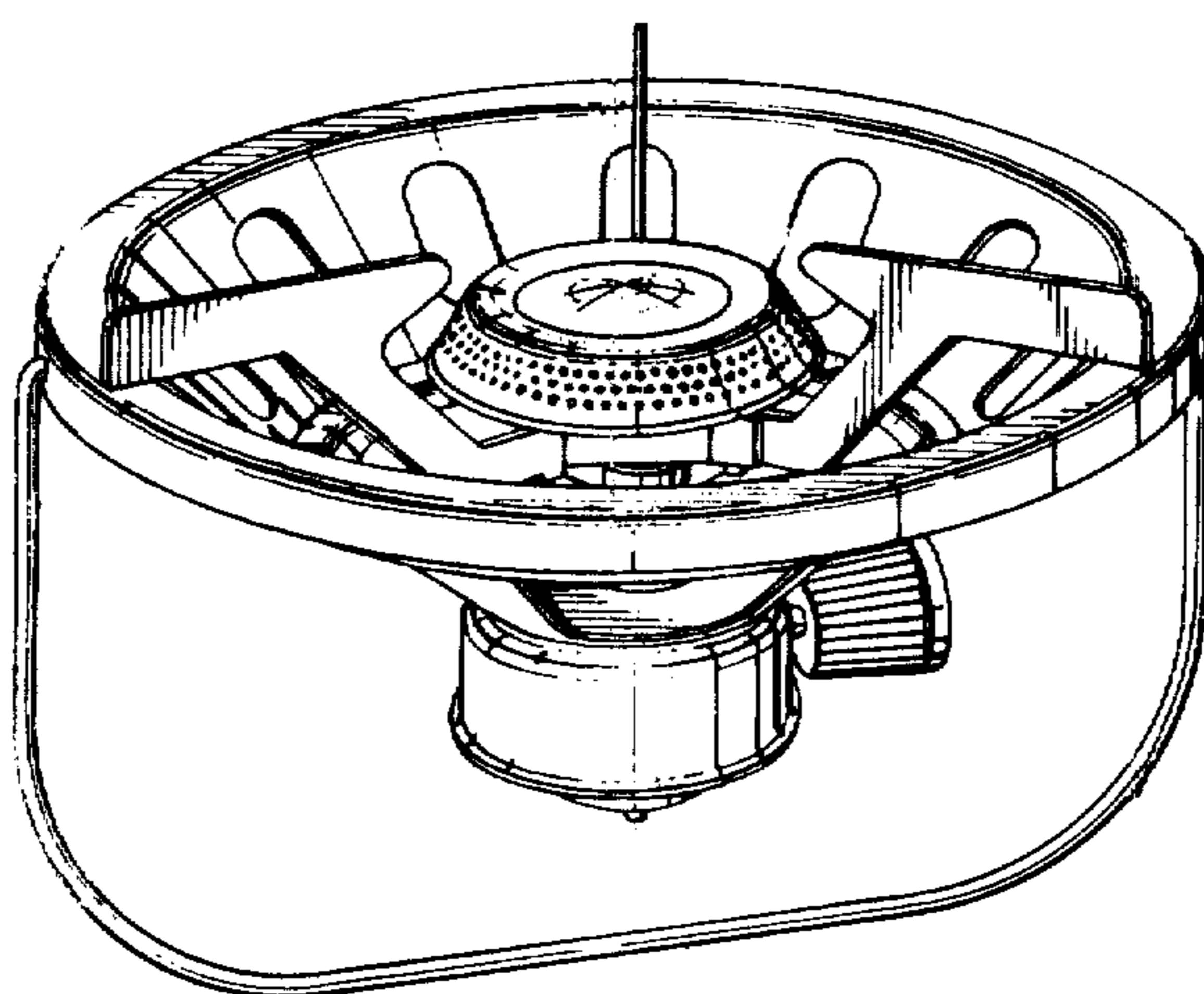


FIG. 6

