

[54] MEASURING CUP

[76] Inventor: Jack P. Cooper, 118 Riviera Drive South, Massapequa, Nassau, N.Y. 11758

[**] Term: 14 Years

[21] Appl. No.: 569,598

[22] Filed: Apr. 21, 1975

[51] Int. Cl. D10-04

[52] U.S. Cl. D7/50

[58] Field of Search D7/9, 64, 65, 50; 73/426

[56] References Cited

U.S. PATENT DOCUMENTS

- D. 70,329 1/1926 Johnson D7/9
- D. 139,416 8/1944 Ekonomon D7/64
- D. 163,117 2/1949 Hobbs D7/64

- D. 174,365 3/1955 Wilson D7/50
- D. 220,845 6/1971 Mascetti D7/9
- D. 227,535 7/1973 Grimes D7/64

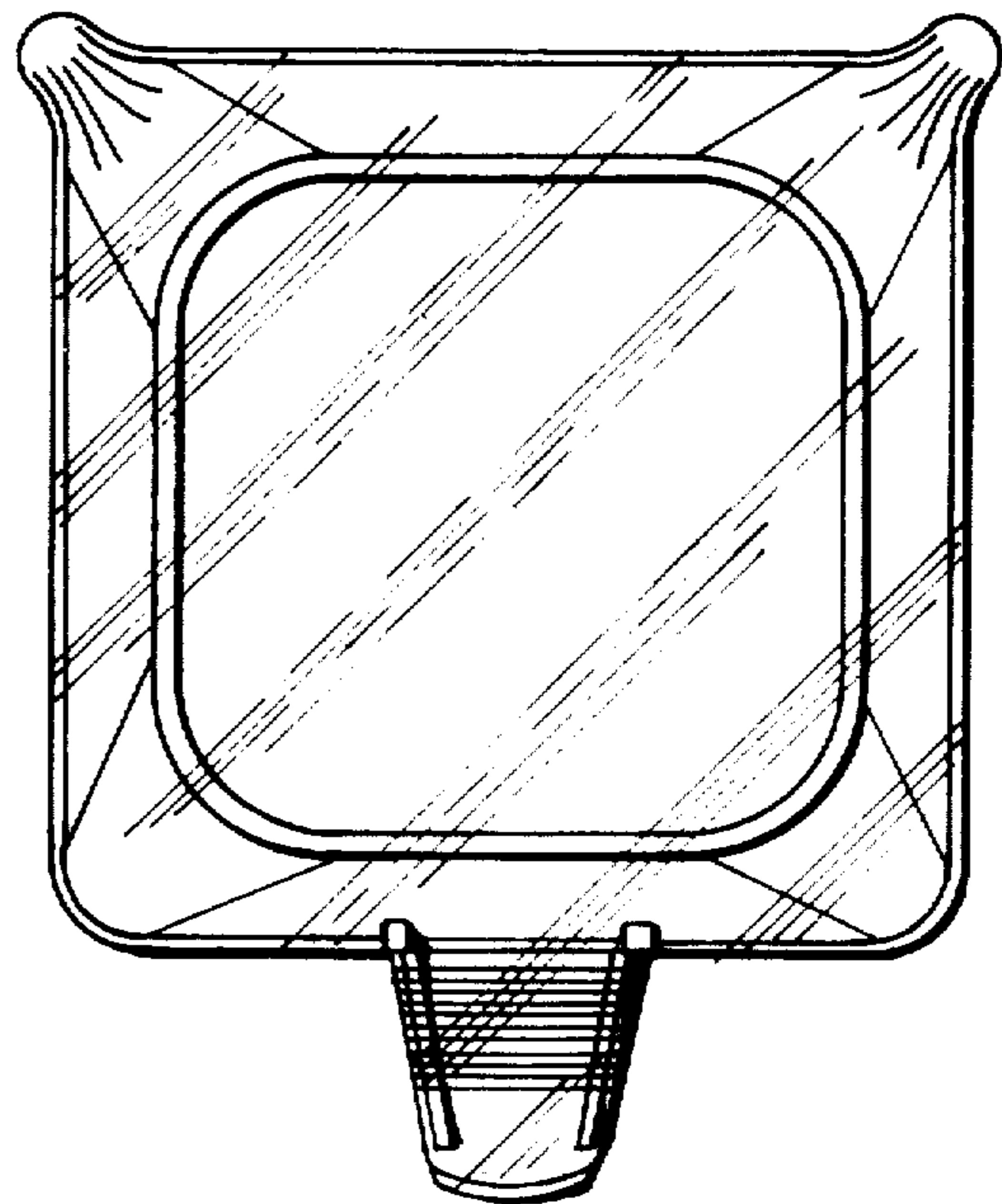
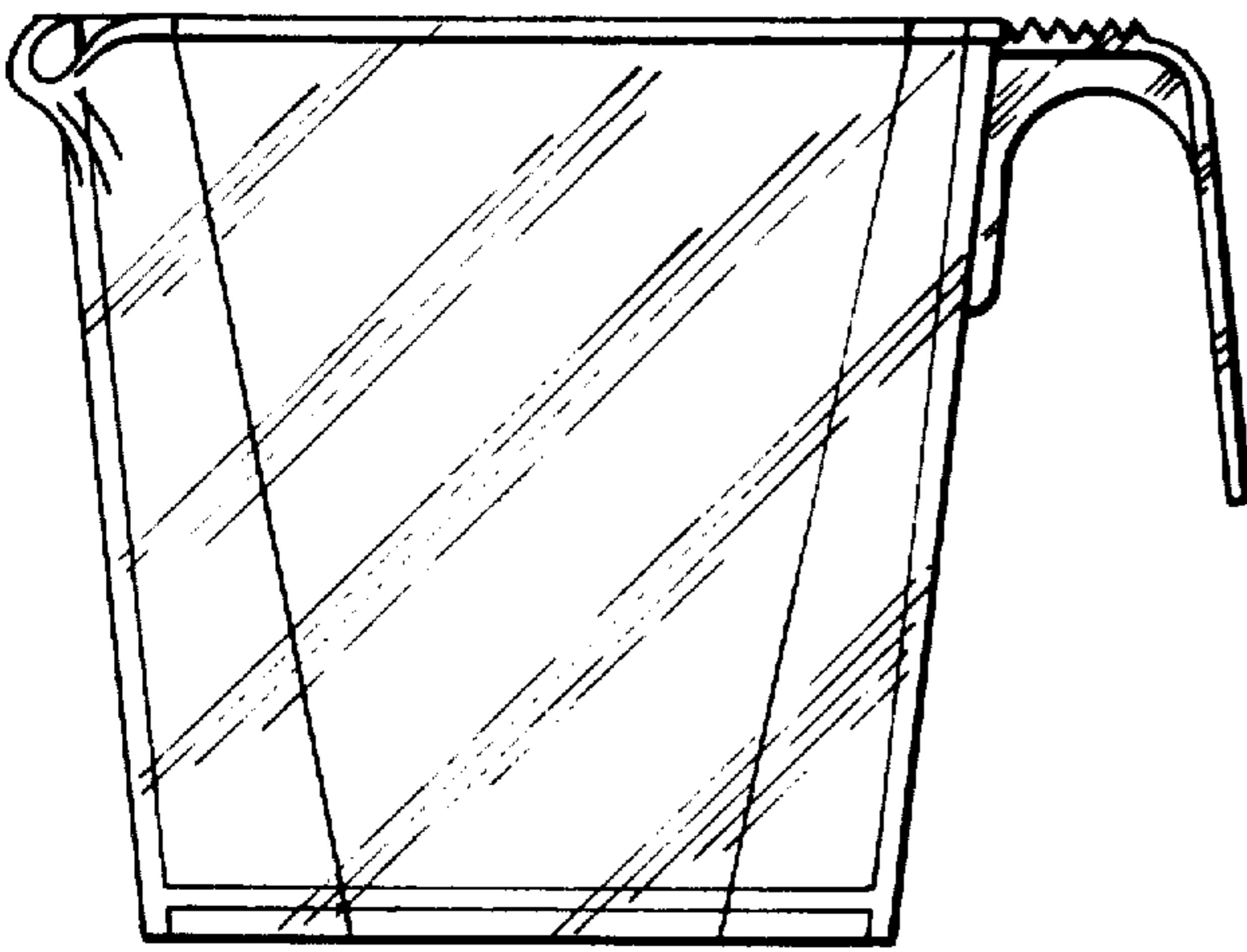
Primary Examiner—Winifred E. Herrmann

[57] CLAIM

The ornamental design for a measuring cup, substantially as shown and described.

DESCRIPTION

FIG. 1 is a right side elevational view of a measuring cup showing my new design;
 FIG. 2 is a front view thereof;
 FIG. 3 is a top plan view thereof;
 FIG. 4 is a rear elevational view thereof; and
 FIG. 5 is a bottom plan view thereof.
 The side opposite that shown is the same as the side that is shown.



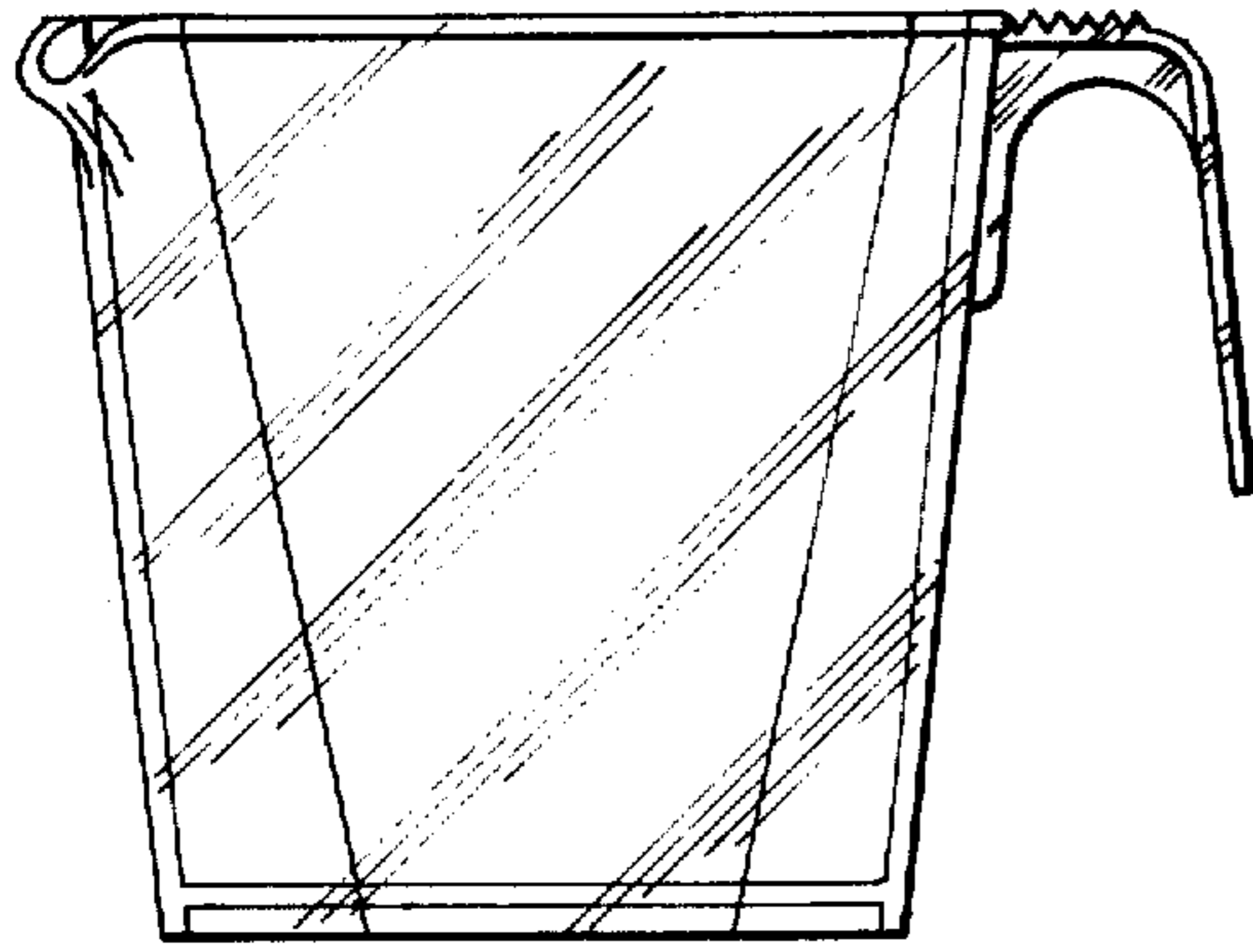


Fig. 1

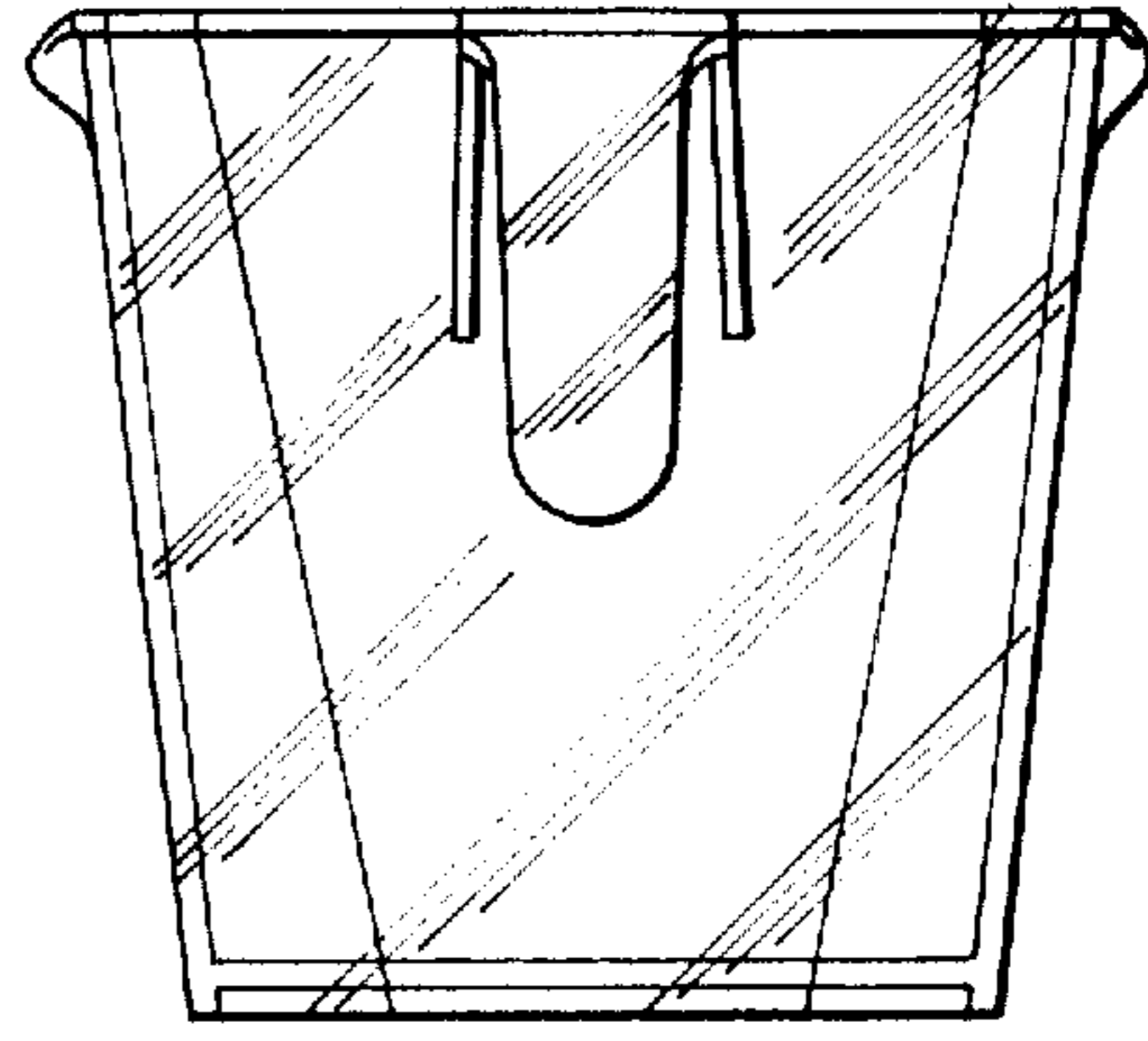


Fig. 4

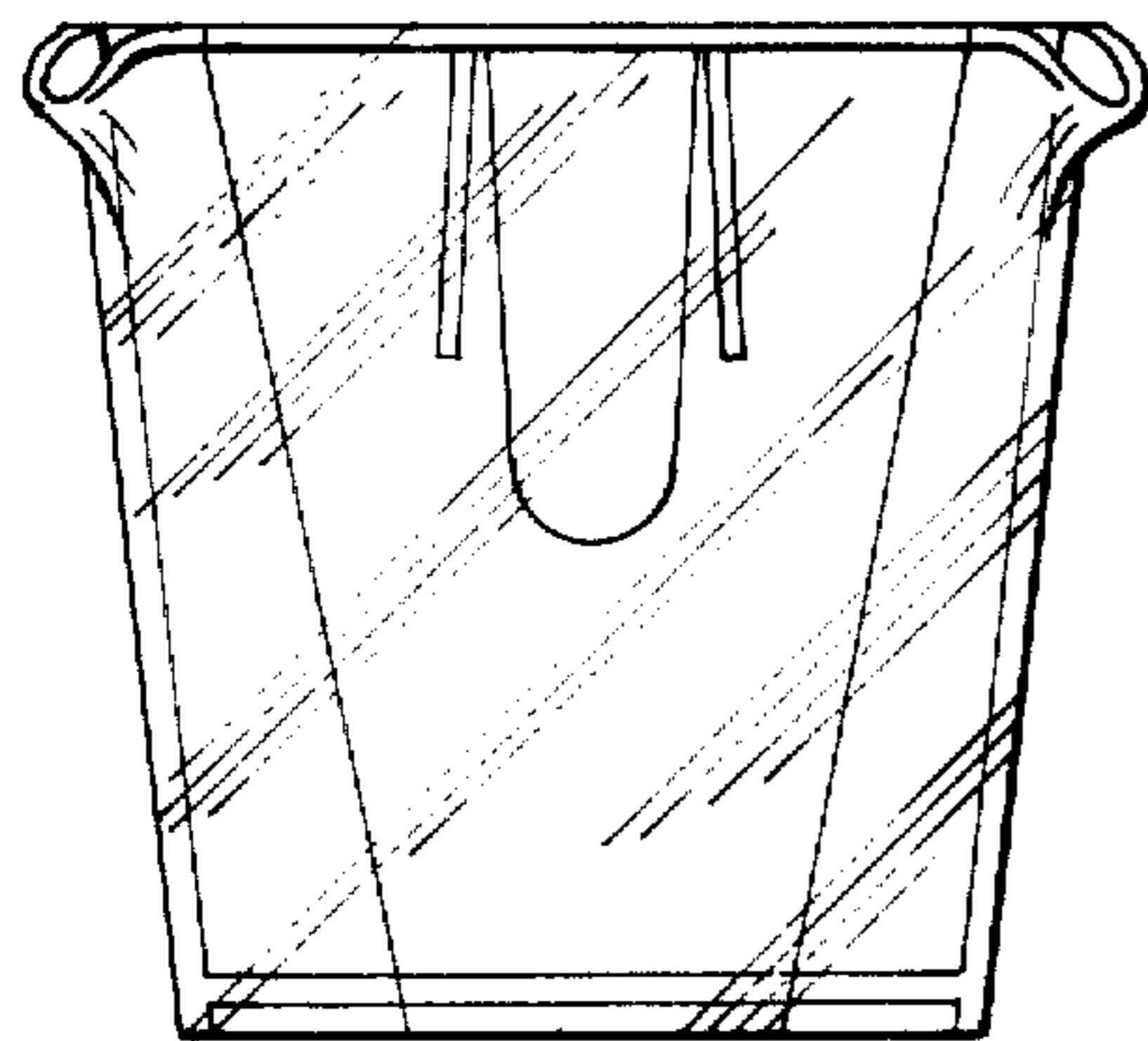


Fig. 2

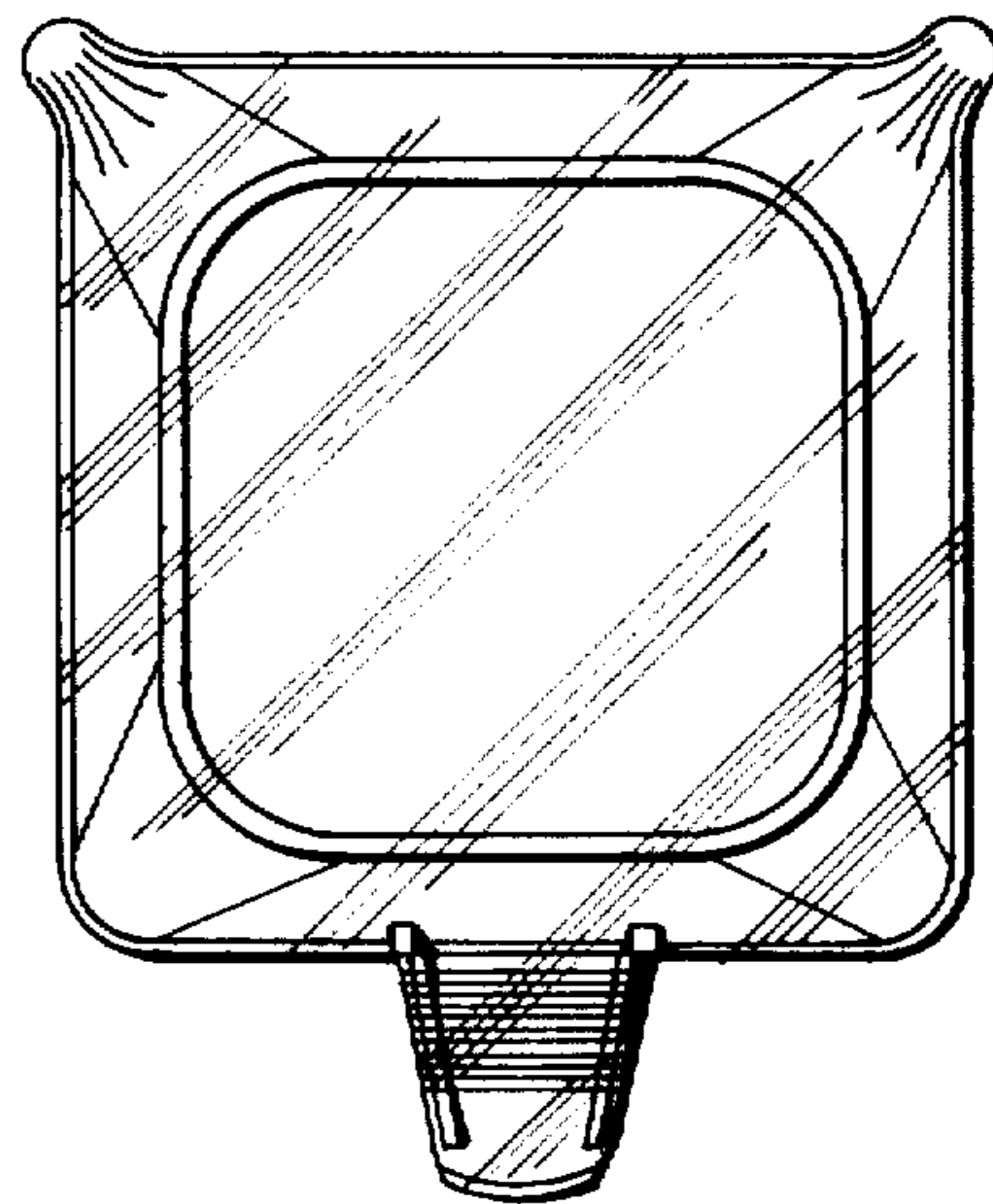


Fig. 5

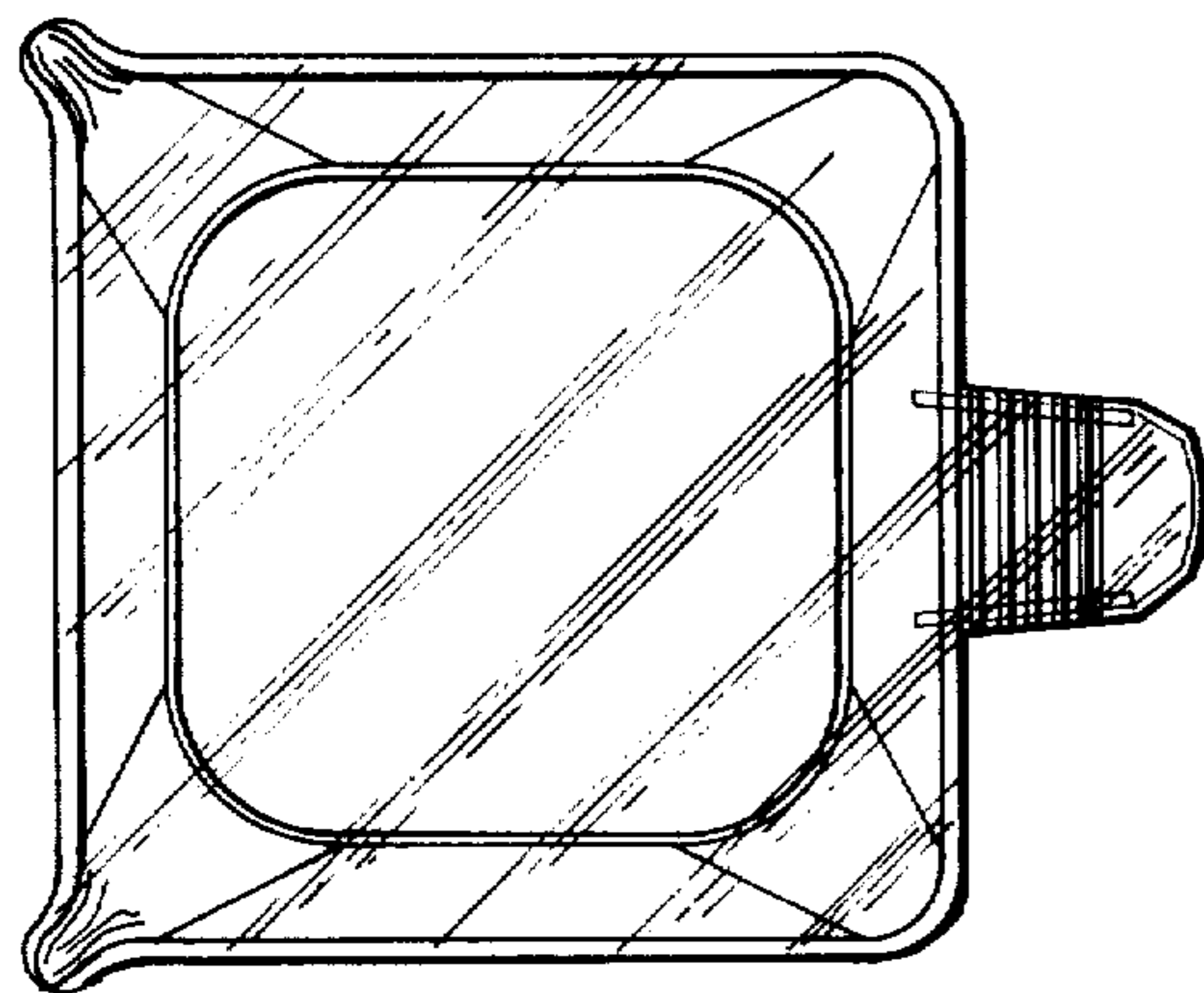


Fig. 3