

[54] CLOTHES HANGER BODY
 [76] Inventor: José Brufau, 19, Santa Magdalena
 Sofia St., Barcelona, Spain
 [**] Term: 3½ Years
 [21] Appl. No.: 416,411
 [22] Filed: Nov. 16, 1973
 [51] Int. Cl. D6—08
 [52] U.S. Cl. D6/257
 [58] Field of Search D6/247-257,
 D6/223; 46/26; 223/98

2,941,706 6/1960 Seegrist 223/98

Primary Examiner—William N. Wertman
Attorney, Agent, or Firm—Thomas B. Graham

[57] CLAIM

The ornamental design for a clothes hanger body, as shown.

DESCRIPTION

FIG. 1 is a top end view of the clothes hanger body;
 FIG. 2 is a plan view of the clothes hanger body;
 FIG. 3 is a side view of the clothes hanger body;
 FIG. 4 is a bottom end view of the clothes hanger body;
 FIG. 5 is a section on 5 — 5 of FIG. 2 of the clothes
 hanger body; and
 FIG. 6 is a perspective view of the clothes hanger body.

[56] **References Cited**
 U.S. PATENT DOCUMENTS
 853,756 5/1907 Betis 46/26 X

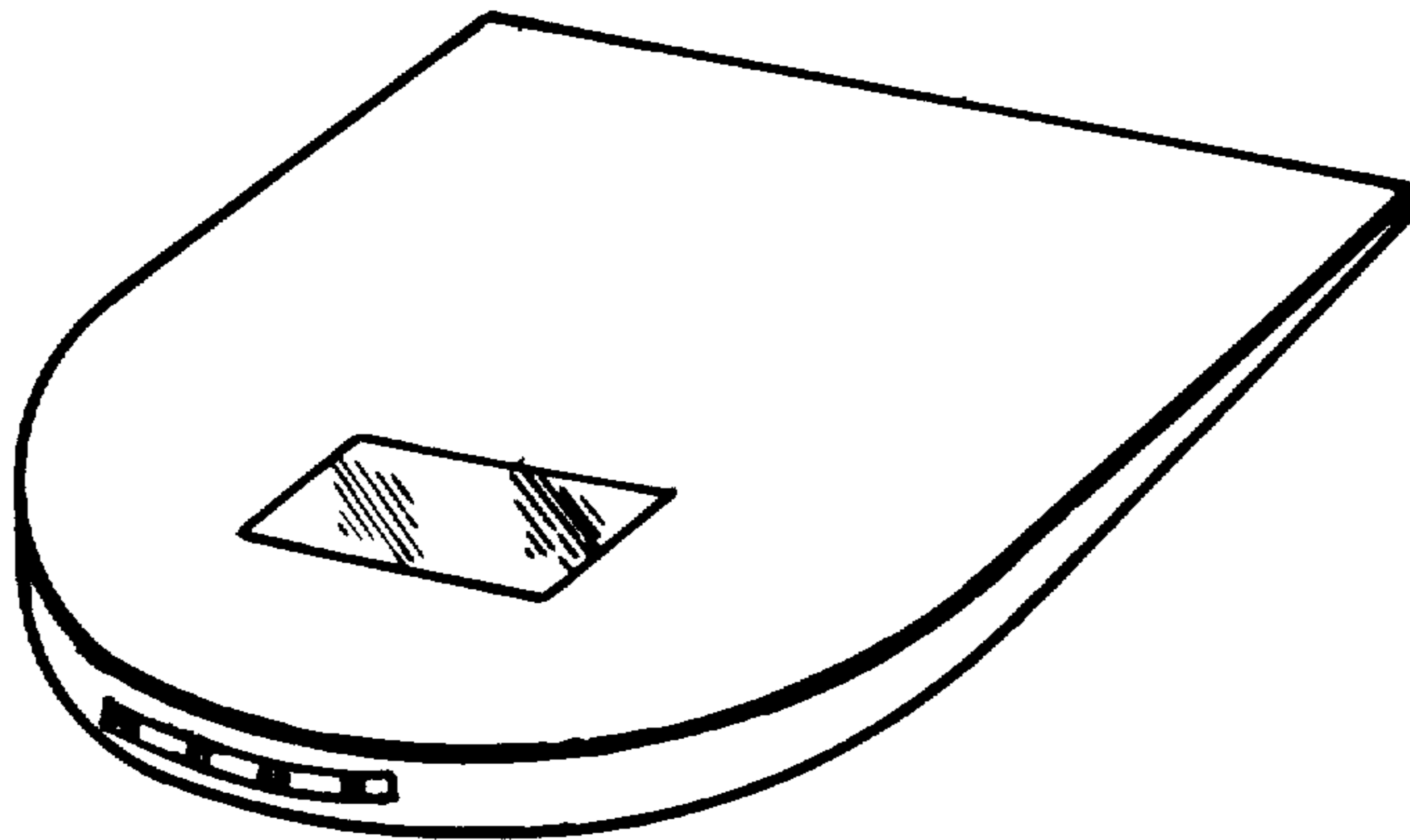


FIG.1



FIG.3



FIG.2

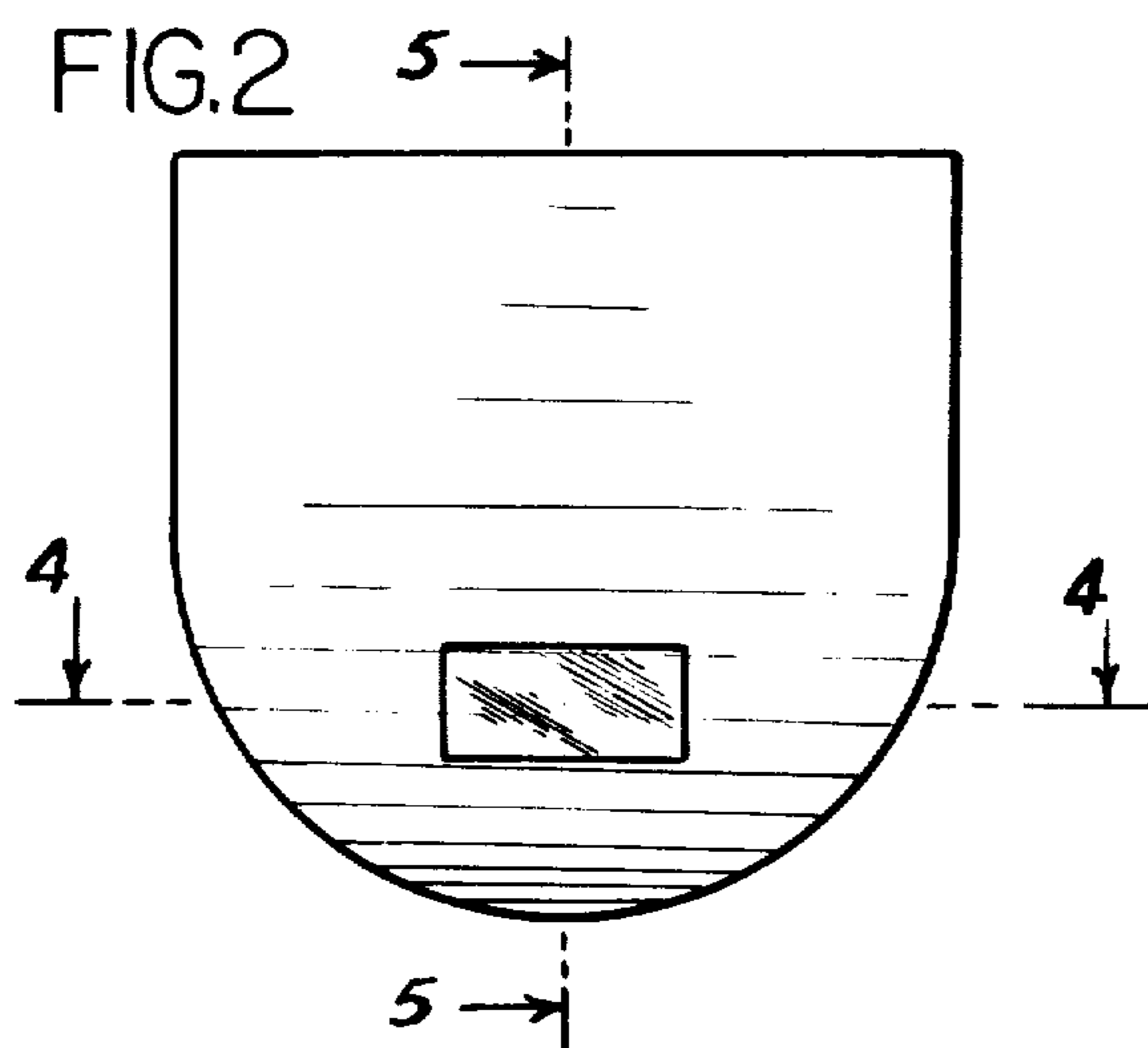


FIG.5



FIG.4



FIG.6

