

[54] DISPLAY STAND

[76] Inventor: Michael Stewart Gorwits, 32 Allerton Grove, Leeds LS17 6RQ, England

[**] Term: 14 Years

[21] Appl. No.: 688,913

[22] Filed: May 21, 1976

[51] Int. Cl. D6-04; D20-02

[52] U.S. Cl. D6/140

[58] Field of Search D6/85, 104, 114, 127, D6/128, 146, 157, 167, 172, 173, 176, 181, 184, 186, 188, 194, 140; D19/90, 91; 248/441 R, 460

[56] References Cited

U.S. PATENT DOCUMENTS

1,266,694	5/1918	Lieber	248/441 R
2,421,232	5/1947	Applegate	248/460
3,057,591	10/1962	Weimer	248/460
D. 227,326	6/1973	Venuta	D6/184

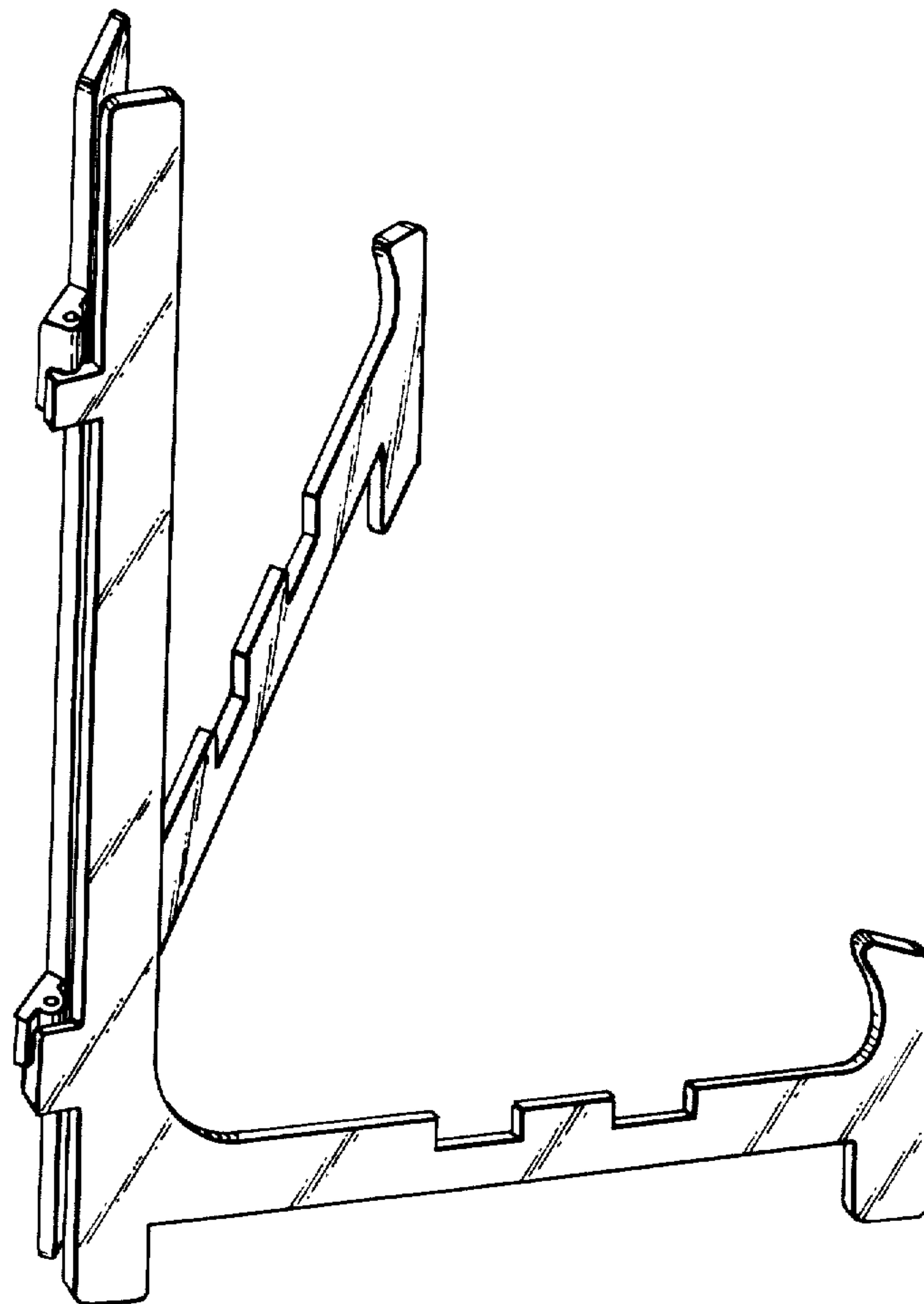
Primary Examiner—Wallace R. Burke
Assistant Examiner—B. J. Bullock
Attorney, Agent, or Firm—Eric H. Waters

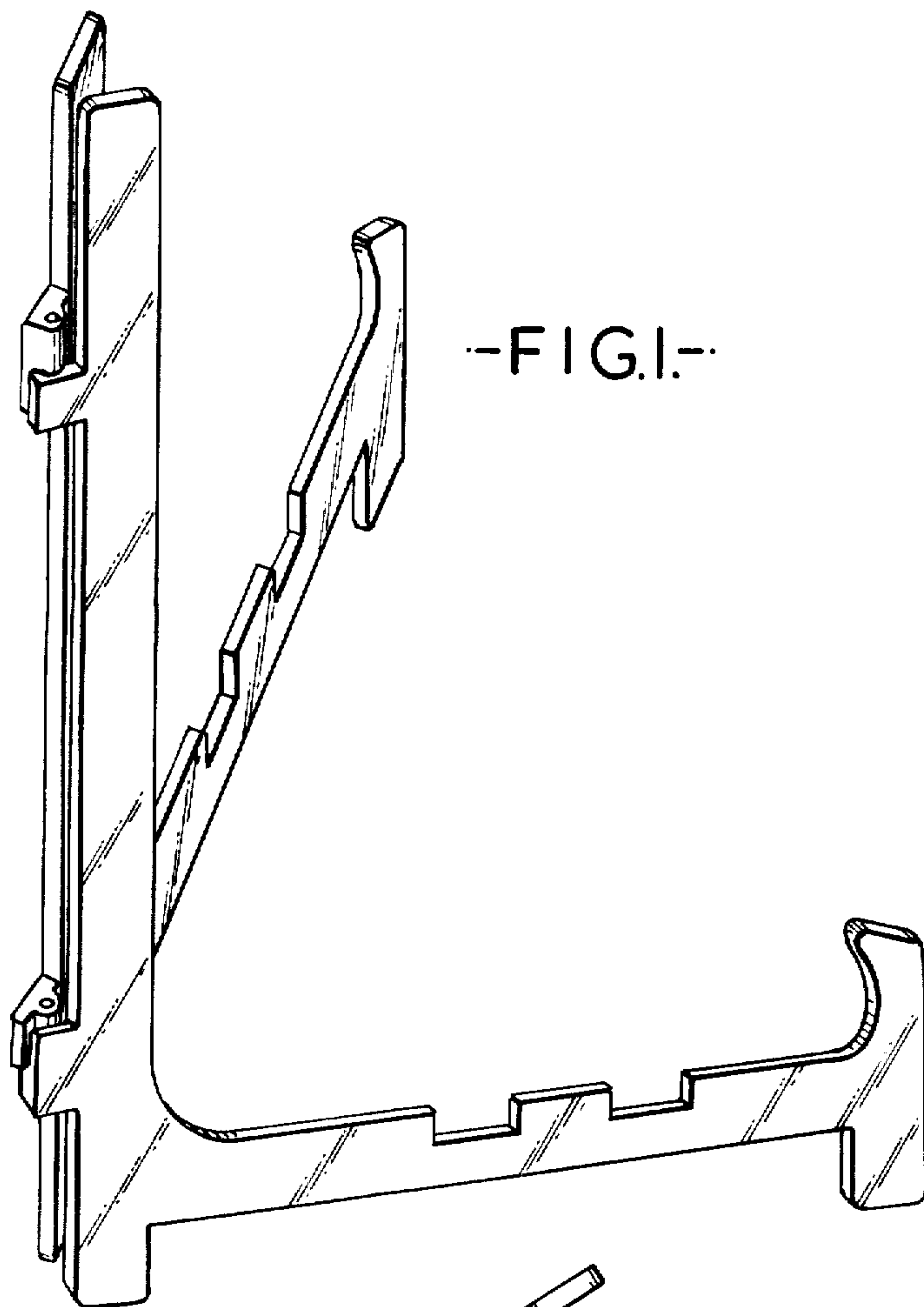
[57] CLAIM

The ornamental design for a display stand, as shown and described.

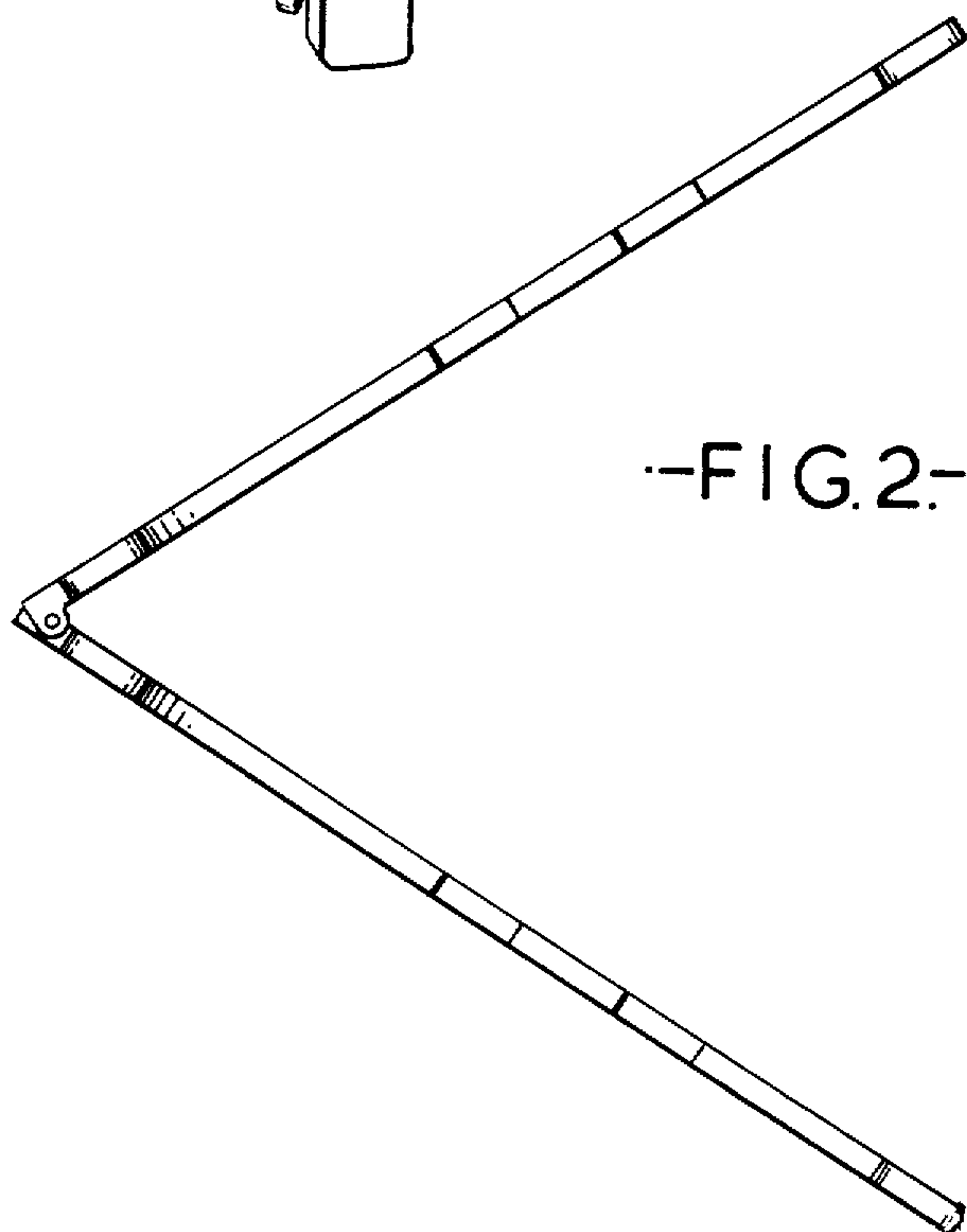
DESCRIPTION

FIG. 1 is a perspective view of a display stand showing my new design;
FIG. 2 is a top plan view of FIG. 1;
FIG. 3 is a rear elevational view of FIG. 1;
FIG. 4 is a perspective view of FIG. 1, in the closed position;
FIG. 5 is a perspective view of a second embodiment of the design of FIG. 1;
FIG. 6 is a top plan view of FIG. 5;
FIG. 7 is a rear elevational view of FIG. 5;
FIG. 8 is a perspective view of FIG. 5 in the closed position.

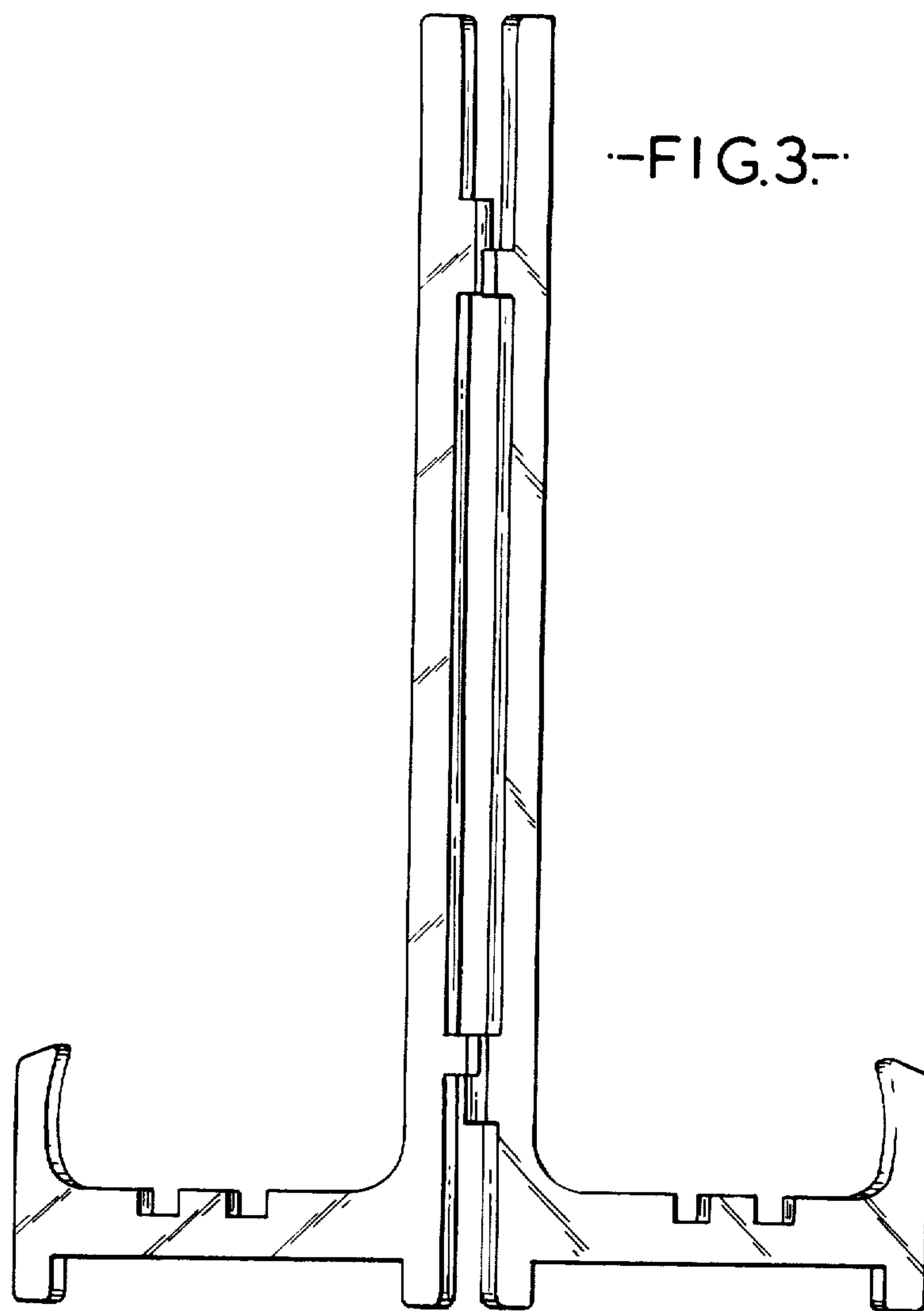




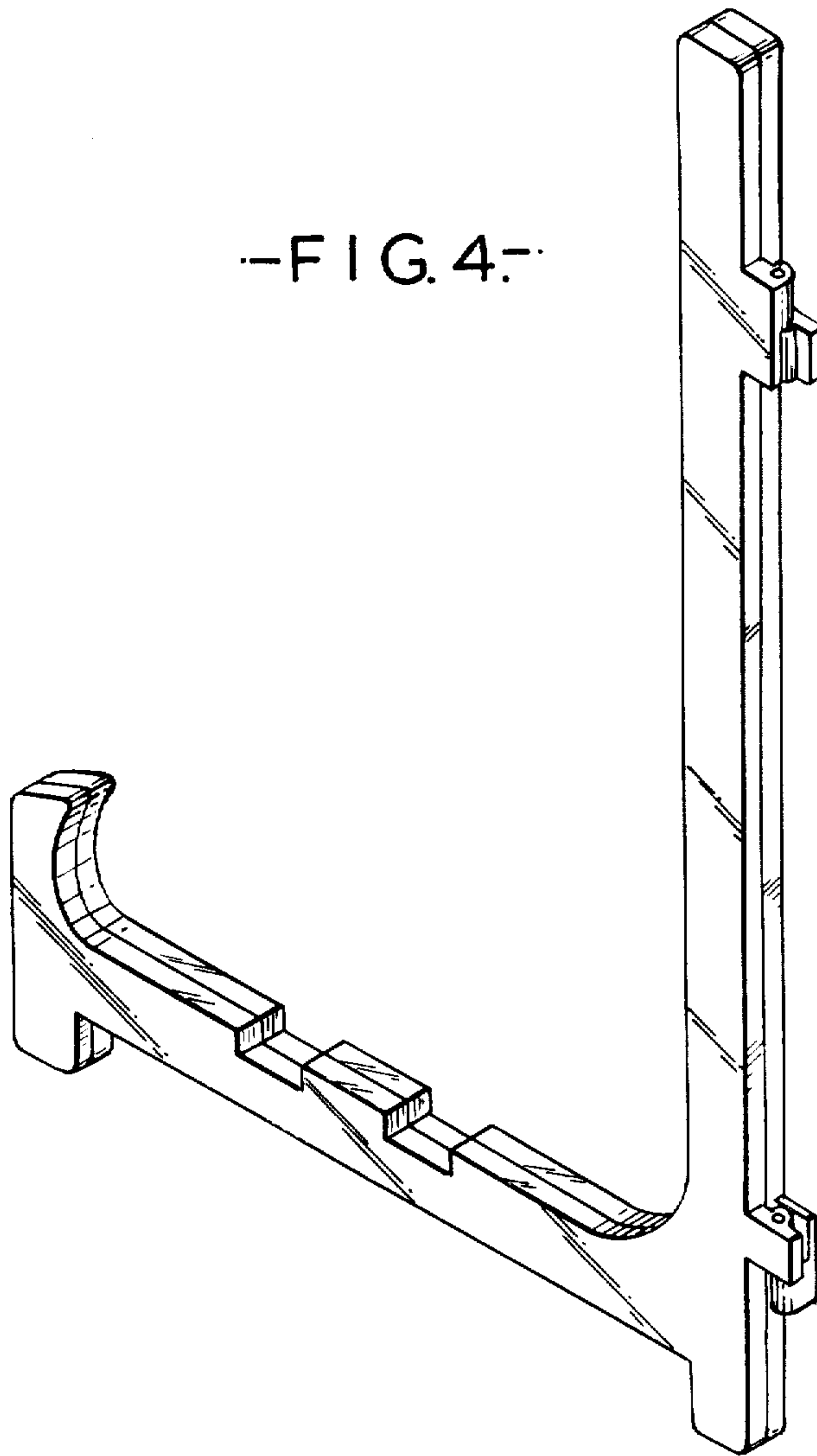
-FIG.1-

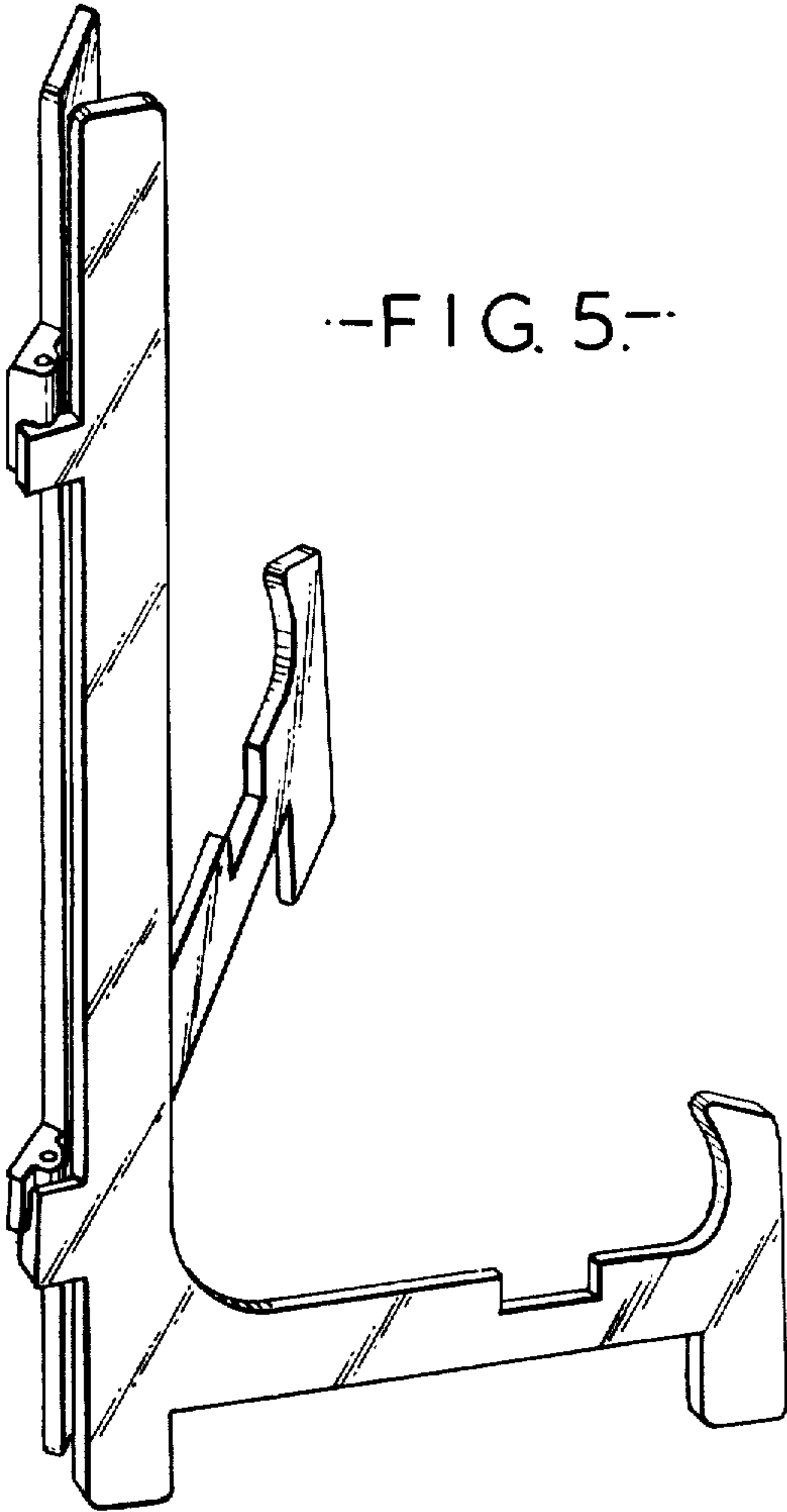


-FIG.2-

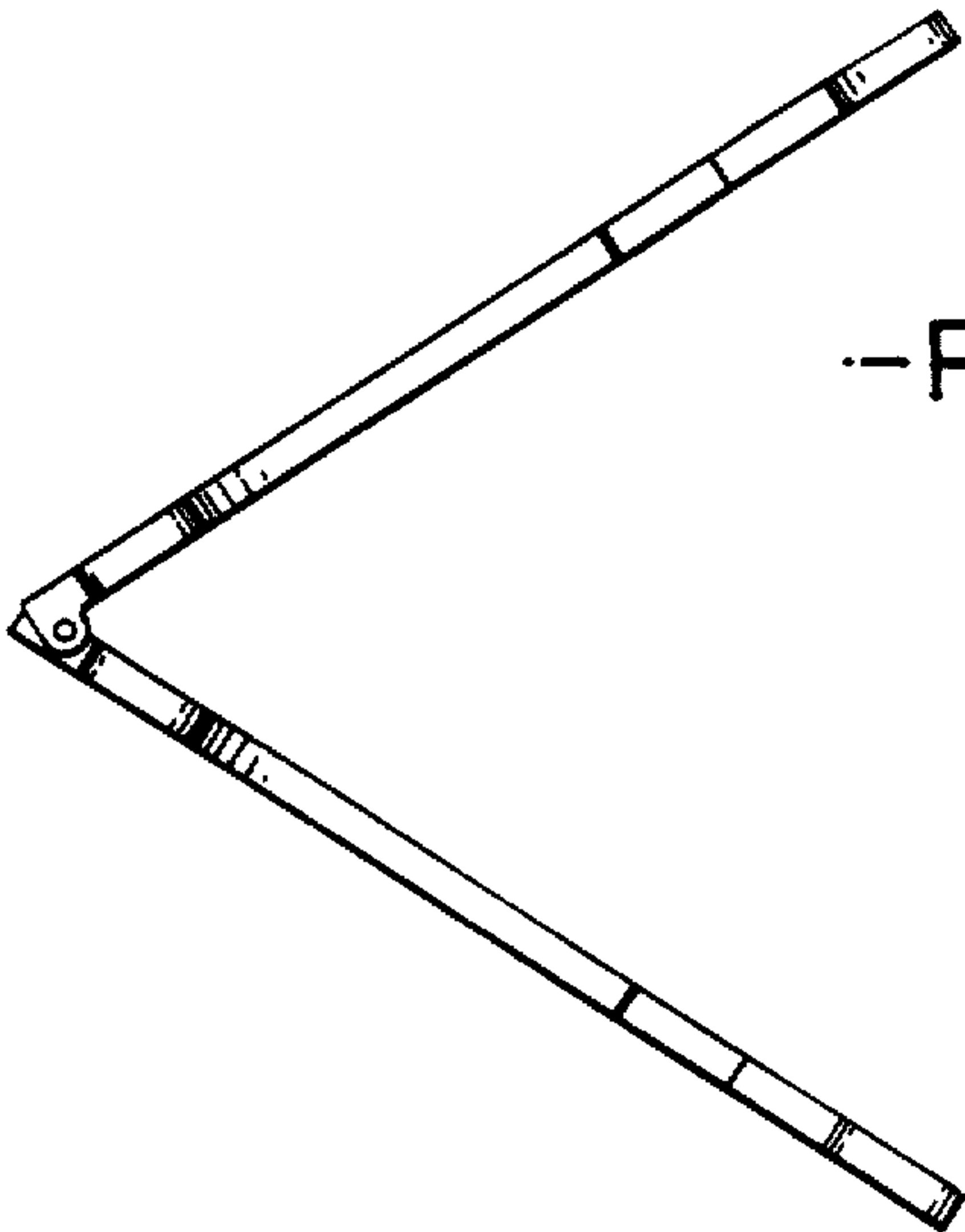


-FIG. 4-

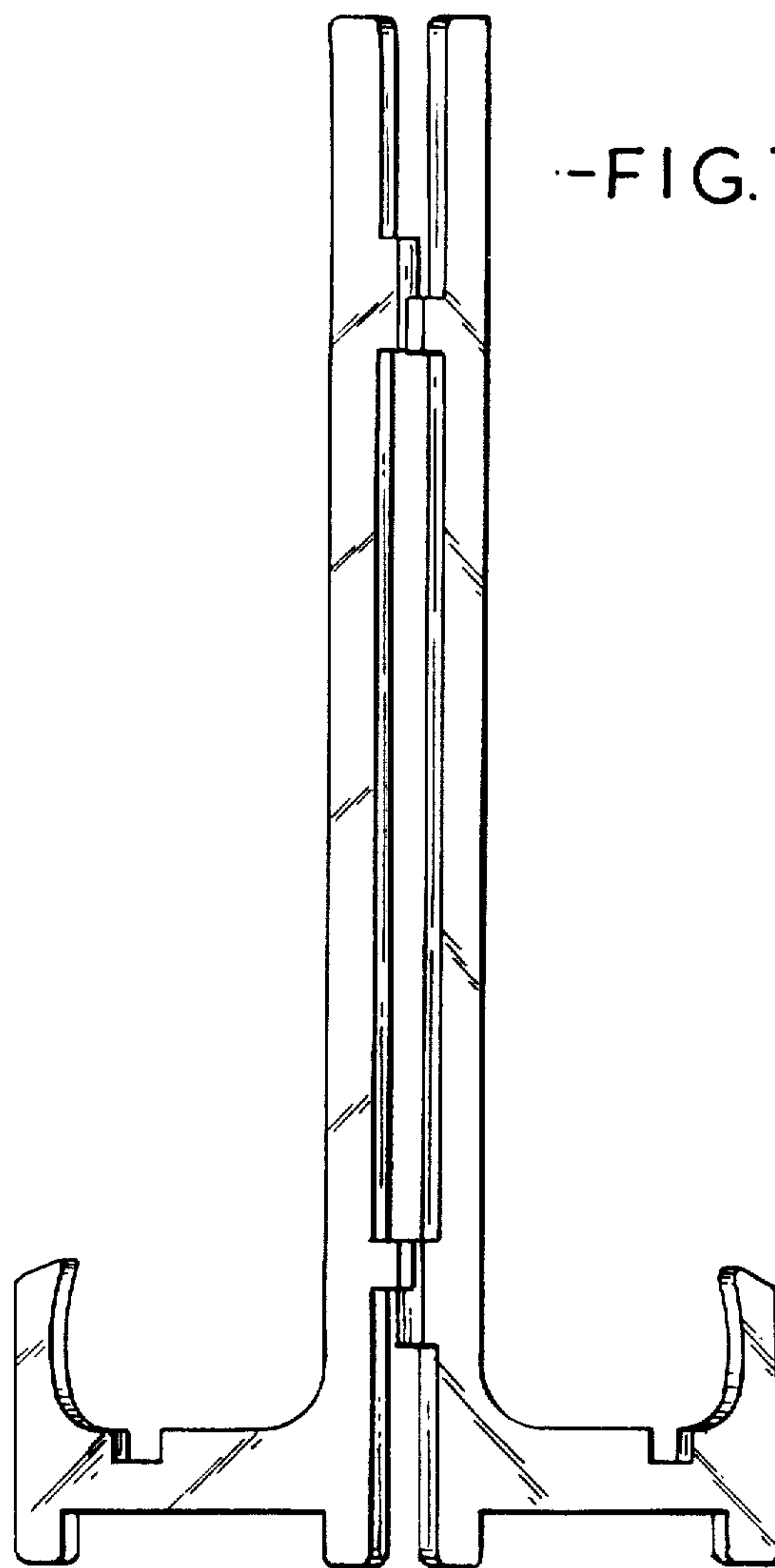




-FIG. 5-



-FIG. 6-



-FIG. 7-

-FIG. 8-

