

[54] COMBINATION FAUCET EXTENDER AND GARDEN HOSE RACK

[76] Inventor: Lincoln L. Linse, 13625 NW. Westlawn Terrace, Portland, Oreg. 97229

[**] Term: 14 Years

[21] Appl. No.: 615,296

[22] Filed: Sept. 22, 1975

[51] Int. Cl. D6-06; D23-01

[52] U.S. Cl. D6/112

[58] Field of Search D23/23-35; D6/112; 4/191; 239/195, 198; 248/75, 89, 90, 212

[56] References Cited

U.S. PATENT DOCUMENTS

| | | | |
|------------|---------|-------------------|----------|
| 2,334,141 | 11/1943 | Zierden | 248/75 X |
| 3,029,933 | 4/1962 | Sutter | 248/75 X |
| 3,329,381 | 7/1967 | Moore et al. | 248/89 |
| D. 150,112 | 7/1948 | Cushman | D23/23 |
| D. 207,246 | 3/1967 | Shames | D6/112 |
| D. 231,718 | 6/1974 | Eade | D6/112 |

Primary Examiner—James R. Largen
Attorney, Agent, or Firm—Oliver D. Olson

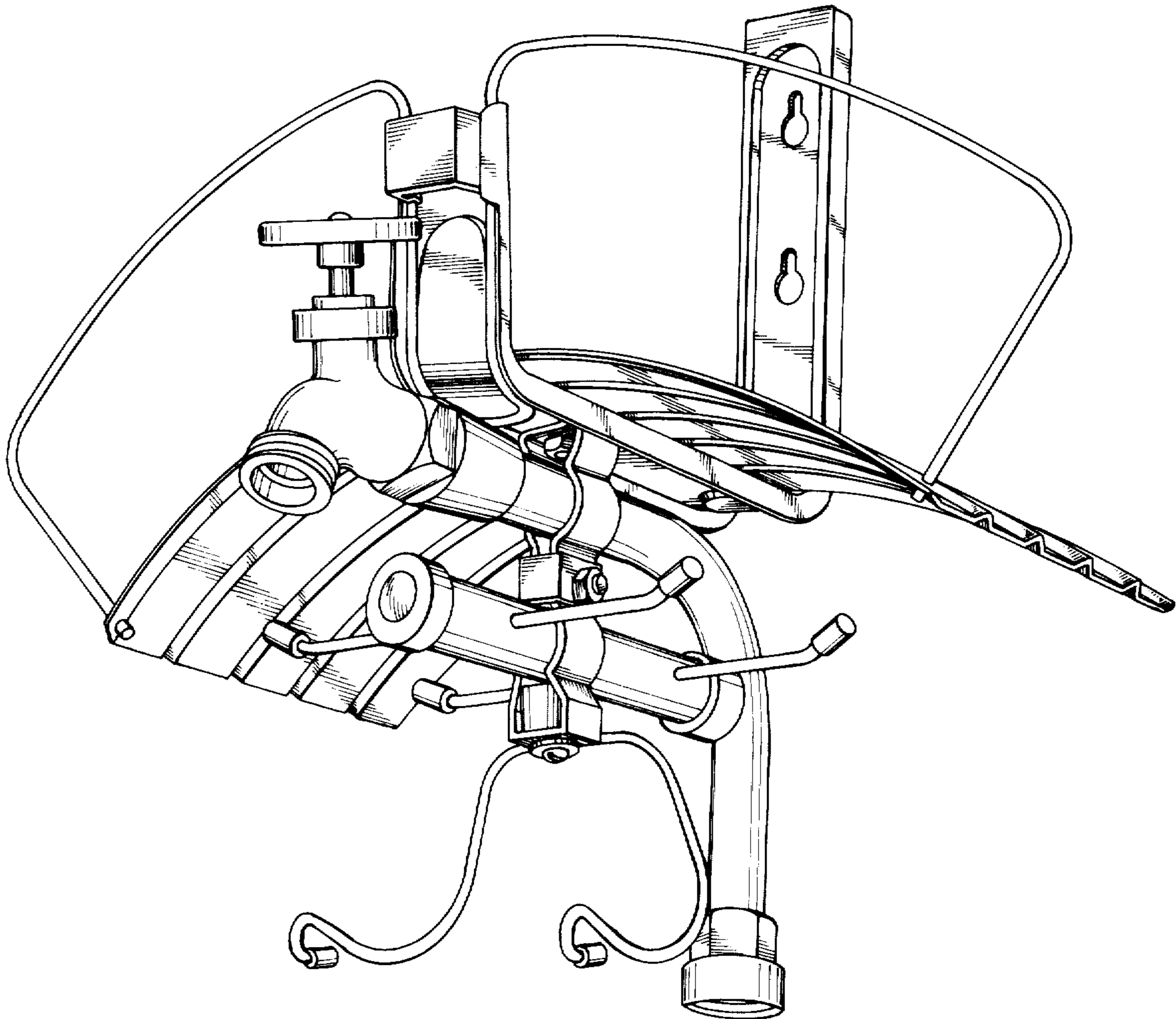
[57] CLAIM

The ornamental design for a combination faucet extender and garden hose rack, as shown.

DESCRIPTION

FIG. 1 is a front perspective view of a combination faucet extender and garden hose rack, showing my new design.

FIG. 2 is a rear perspective view thereof.



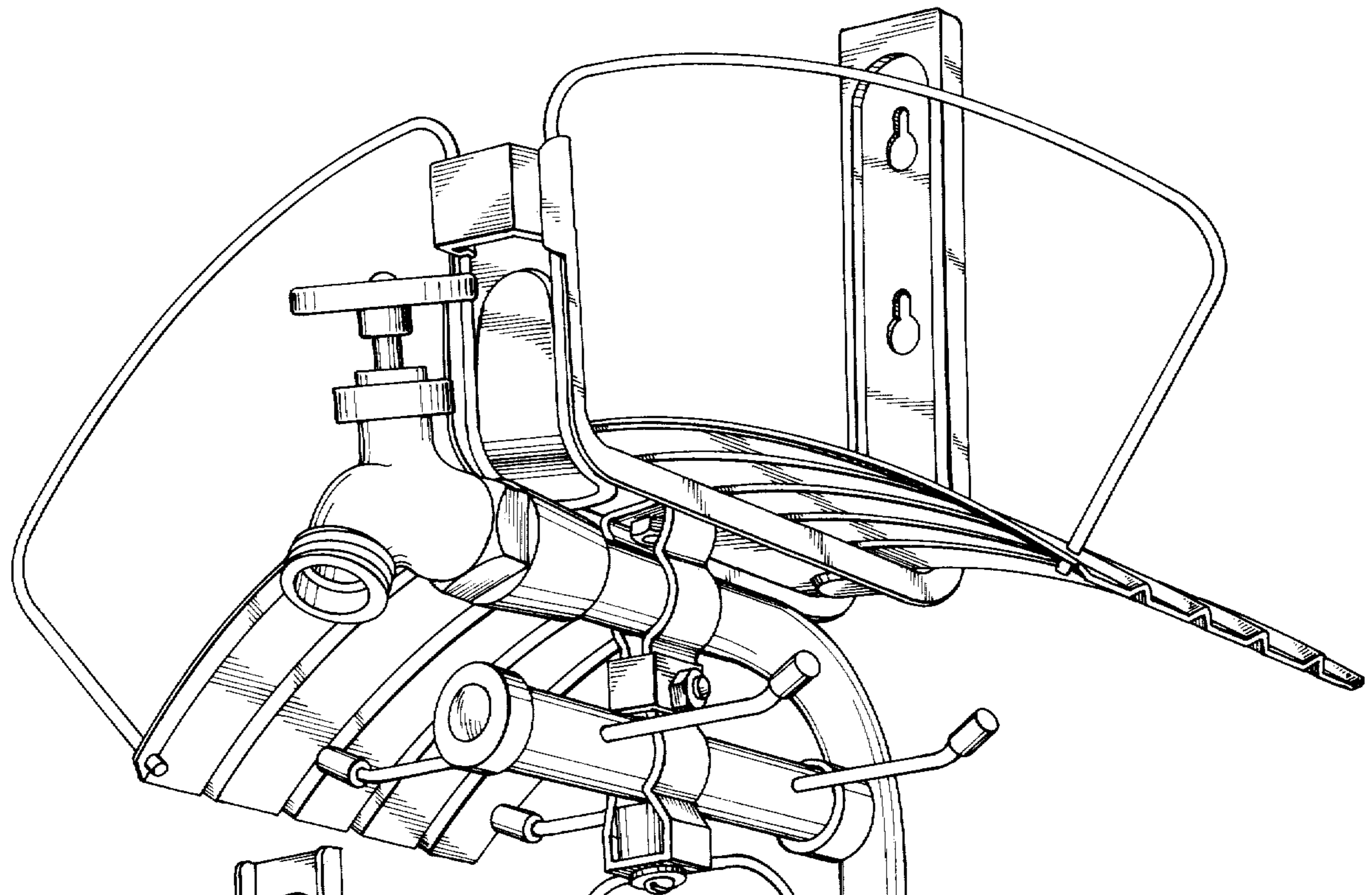


Fig. 1.

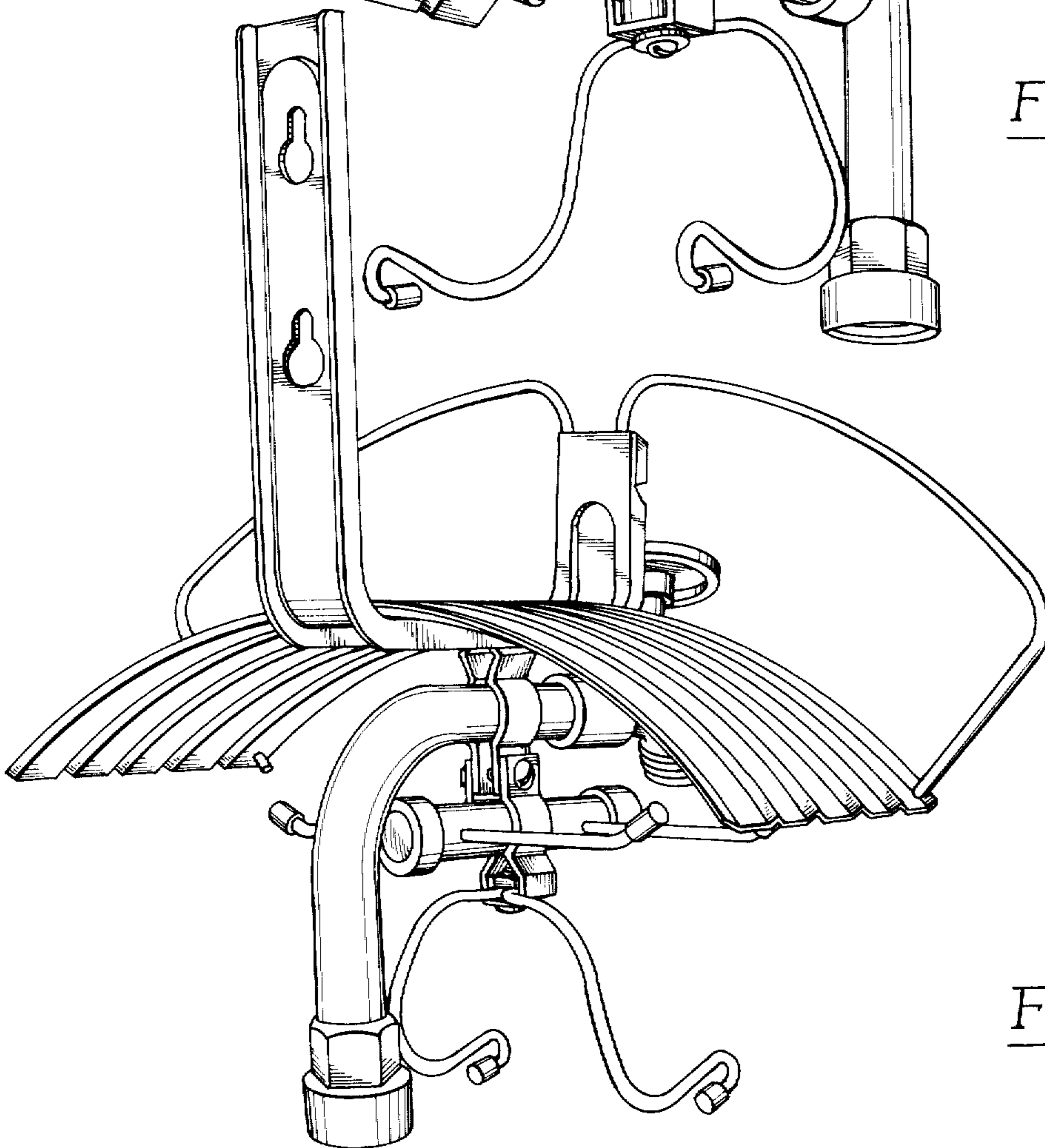


Fig. 2.