

[54] COMBINED ELECTRIC SHAVER AND COVER THEREFOR

[75] Inventor: Jacob A. Krapowicz, Ridgefield, Conn.

[73] Assignee: Sperry Rand Corporation, Bridgeport, Conn.

[**] Term: 14 Years

[21] Appl. No.: 552,633

[22] Filed: Feb. 24, 1975

[51] Int. Cl. D28-03

[52] U.S. Cl. D28/49

[58] Field of Search D95/3 A, 3 B; 30/DIG. 2, 32, 34 R, 34.1, 41.9, 43-43.3, 43.7-45

[56] References Cited

U.S. PATENT DOCUMENTS

3,333,681	8/1967	Spohr et al.	206/351
3,421,215	1/1969	Bauer	30/34.1
3,552,010	1/1971	Locke et al.	30/43.52
D. 175,602	9/1955	Jepson et al.	D95/3 A

Primary Examiner—Joel Stearman
Assistant Examiner—Louis S. Zarfes
Attorney, Agent, or Firm—Charles R. Miranda

[57] CLAIM

The ornamental design for a combined electric shaver and cover therefor, substantially as shown.

DESCRIPTION

FIG. 1 is a front, left perspective view of a combined electric shaver and cover therefor showing my new design;

FIG. 2 is an exploded rear perspective view thereof;

FIG. 3 is a top plan view of the shaver alone;

FIG. 4 is a left side elevational view thereof;

FIG. 5 is an elevational view of the front of the shaver of FIG. 1 with the cover omitted;

FIG. 6 is right side elevational view thereof;

FIG. 7 is a bottom plan view thereof;

FIG. 8 is a rear elevational view thereof;

FIG. 9 is a top plan view of the cover alone;

FIG. 10 is a front elevational view thereof;

FIG. 11 is a right side view thereof; and

FIG. 12 is a bottom plan view thereof.

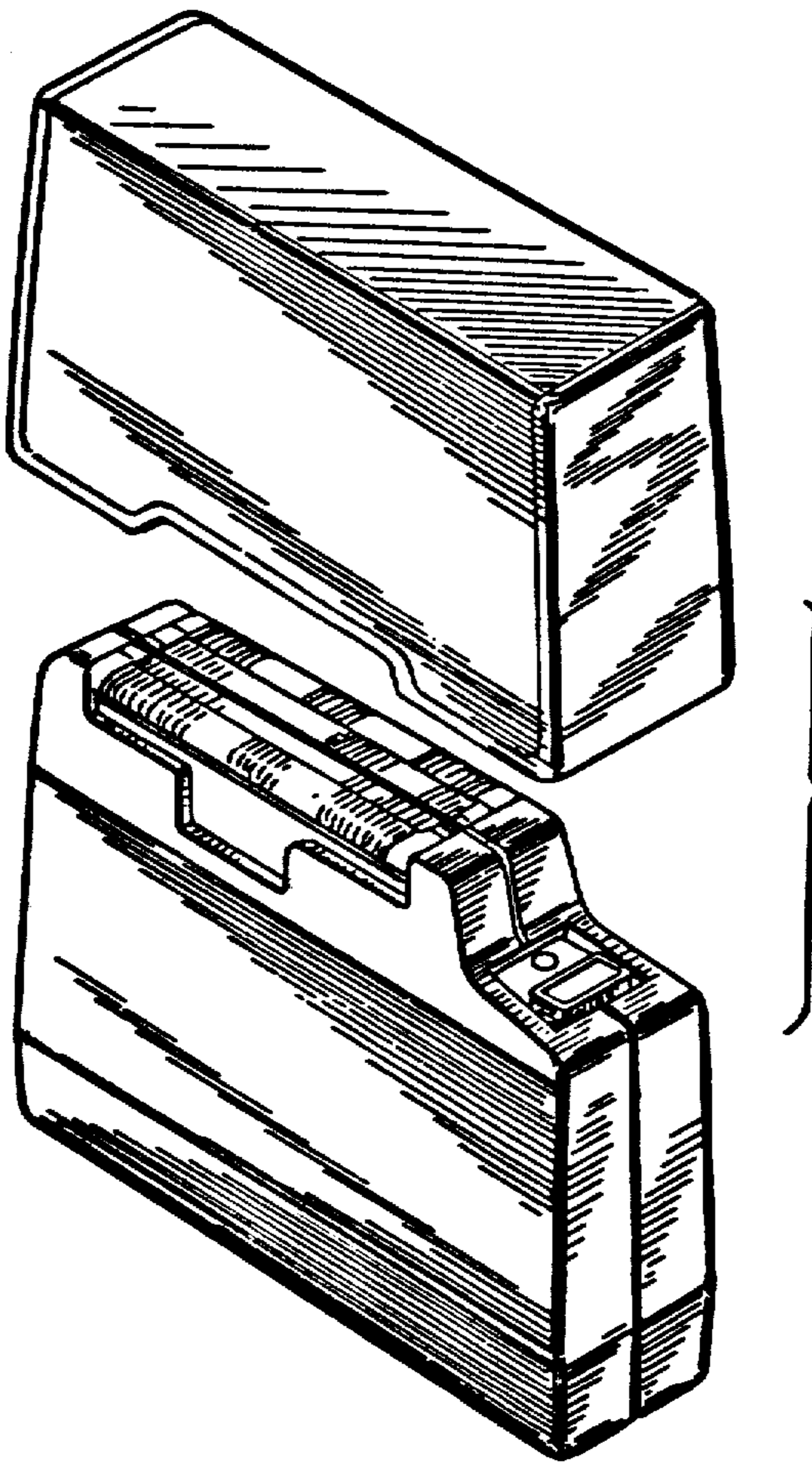


Fig. 1

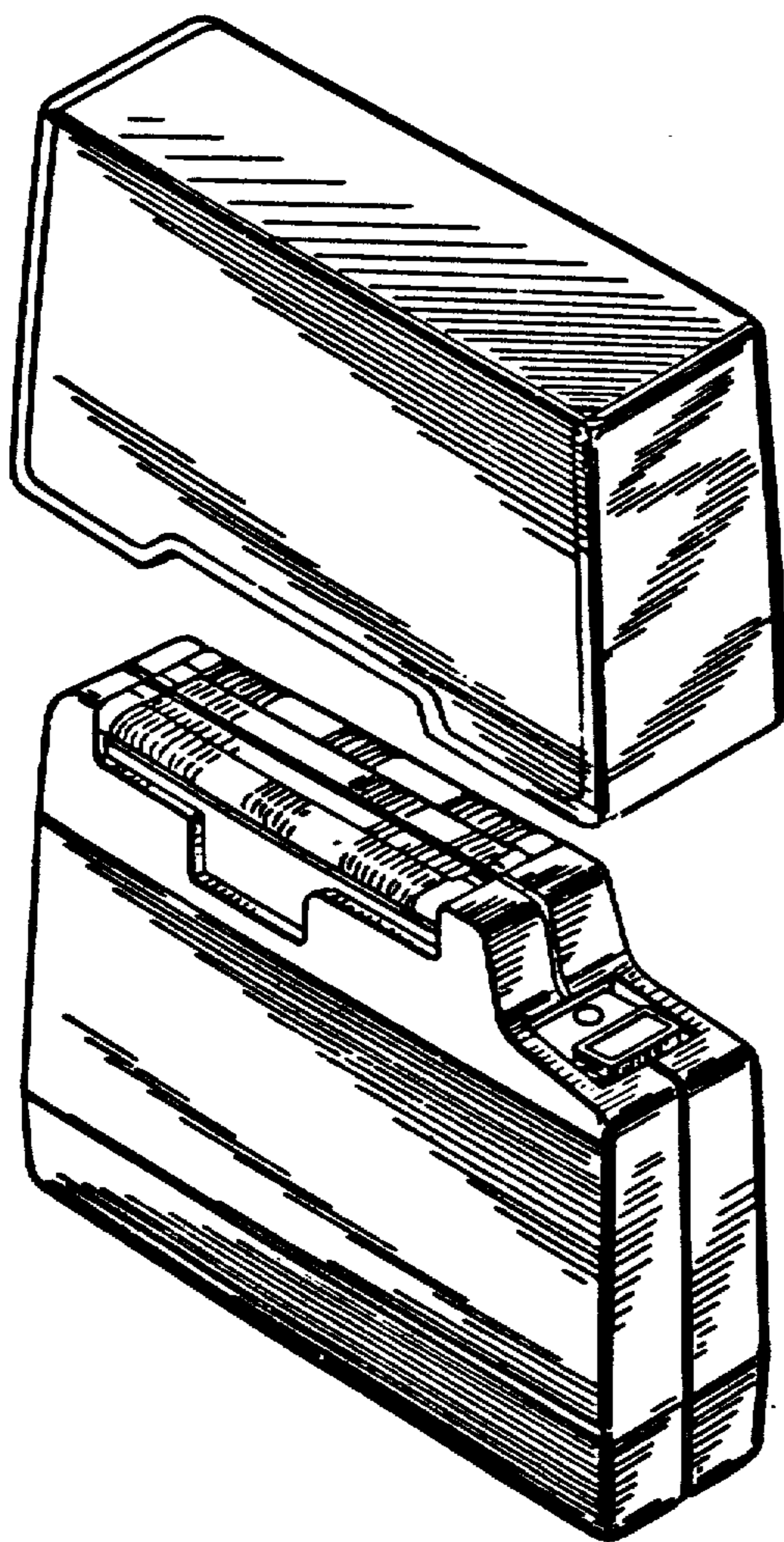
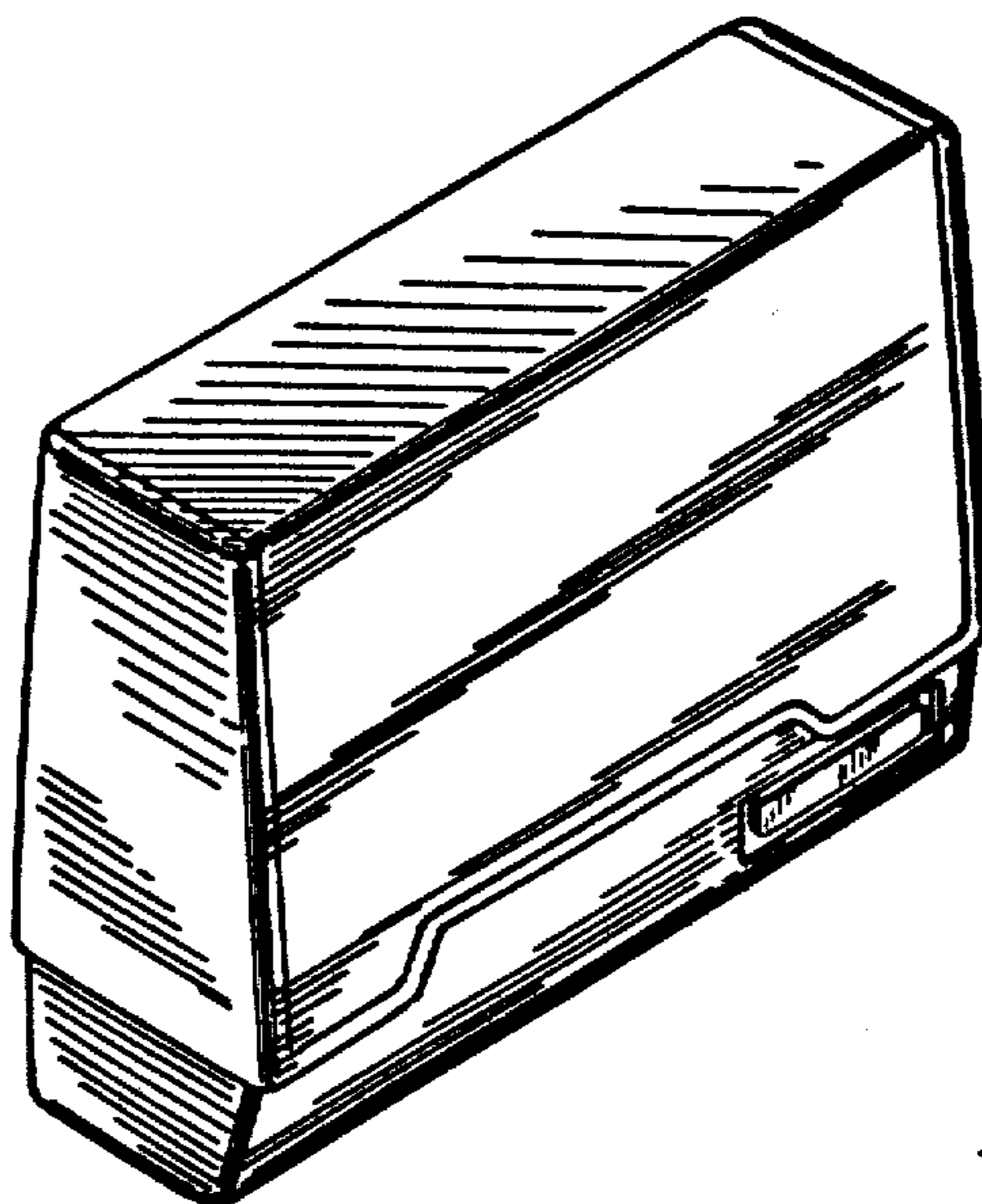


Fig. 2

Fig. 3.

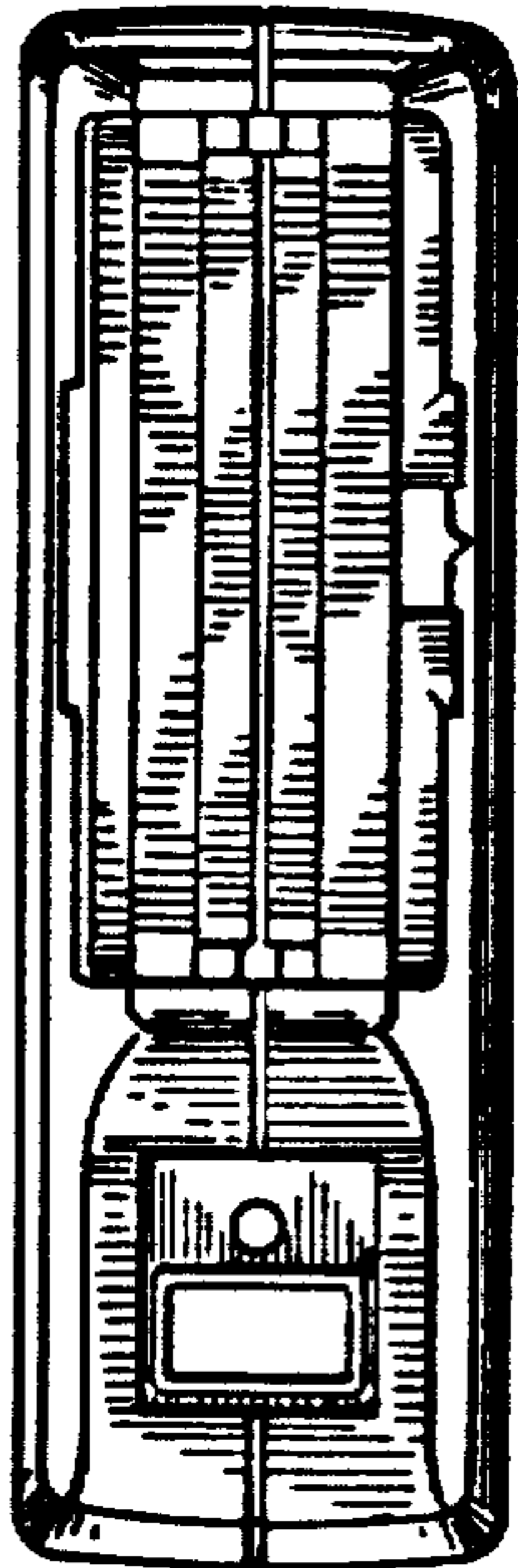


Fig. 4.



Fig. 5.

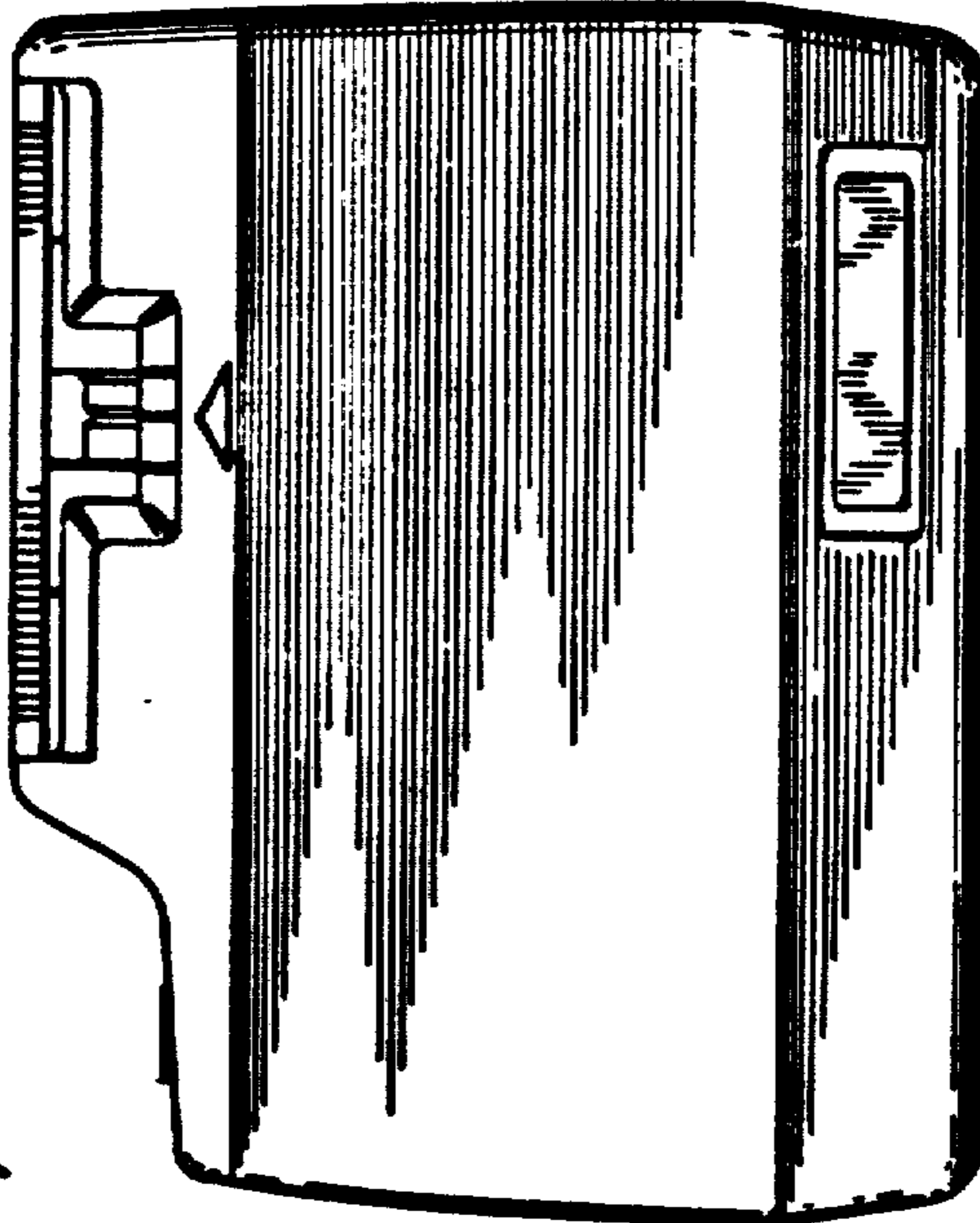


Fig. 6.

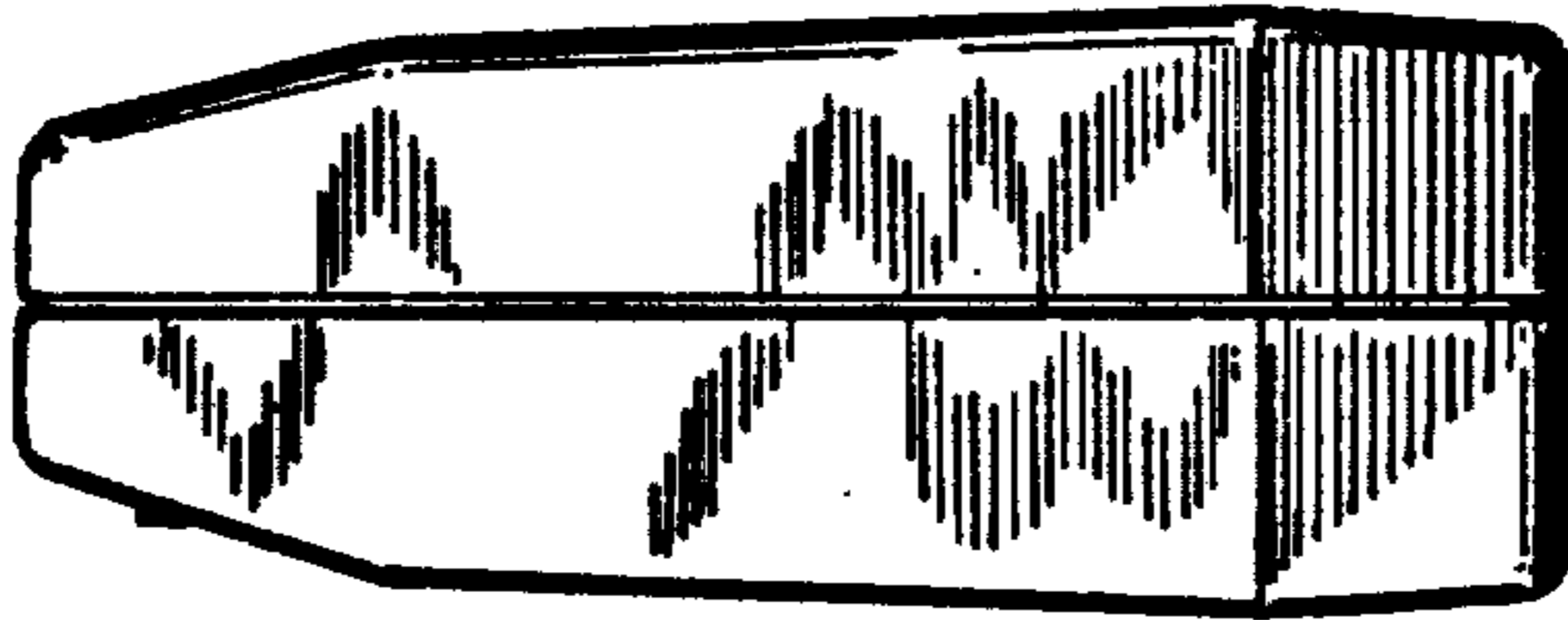


Fig. 7.

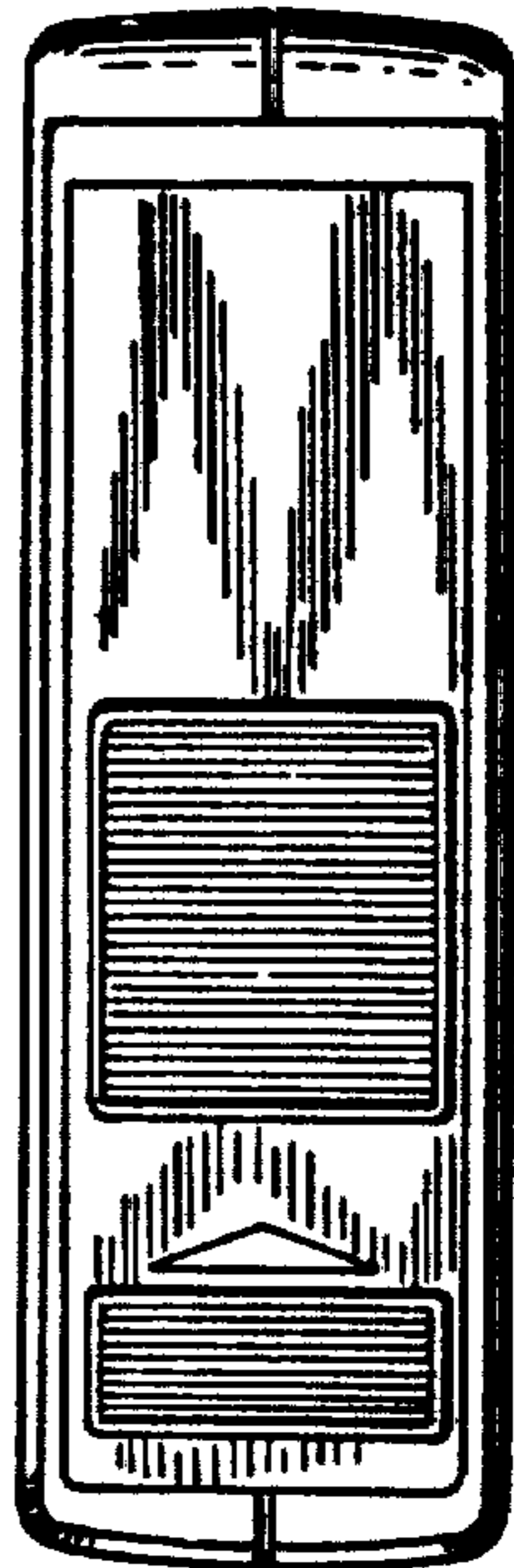


Fig. 8.

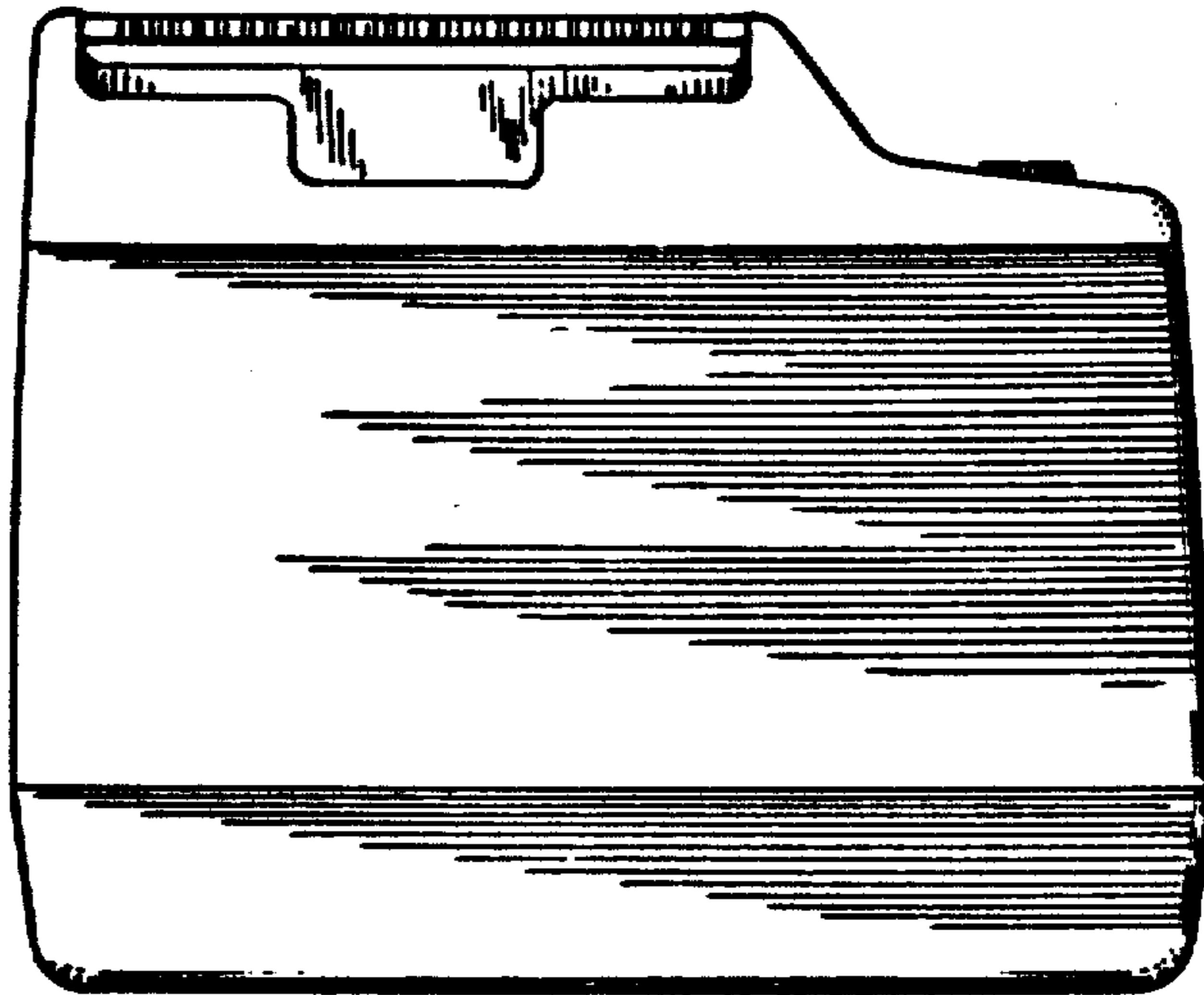


Fig. 9.



Fig. 10.

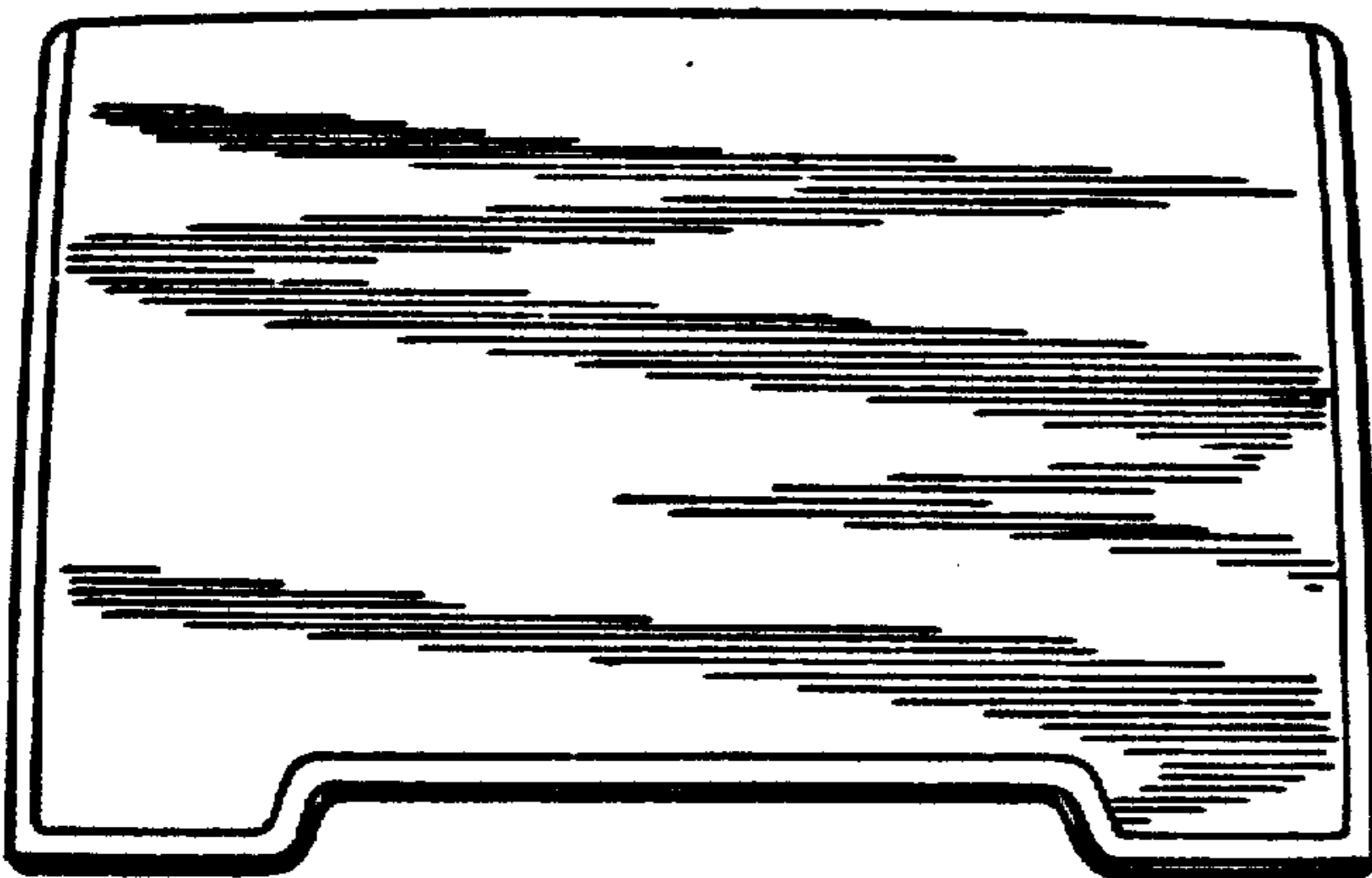


Fig. 11.

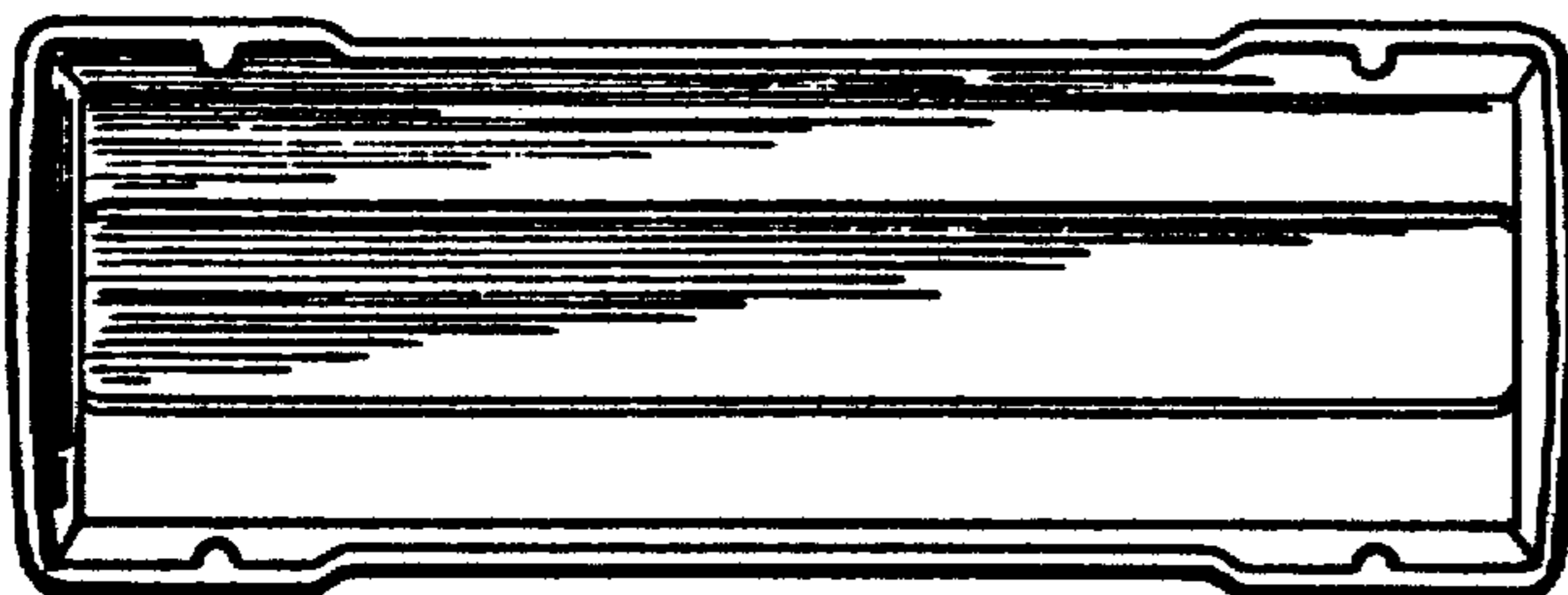
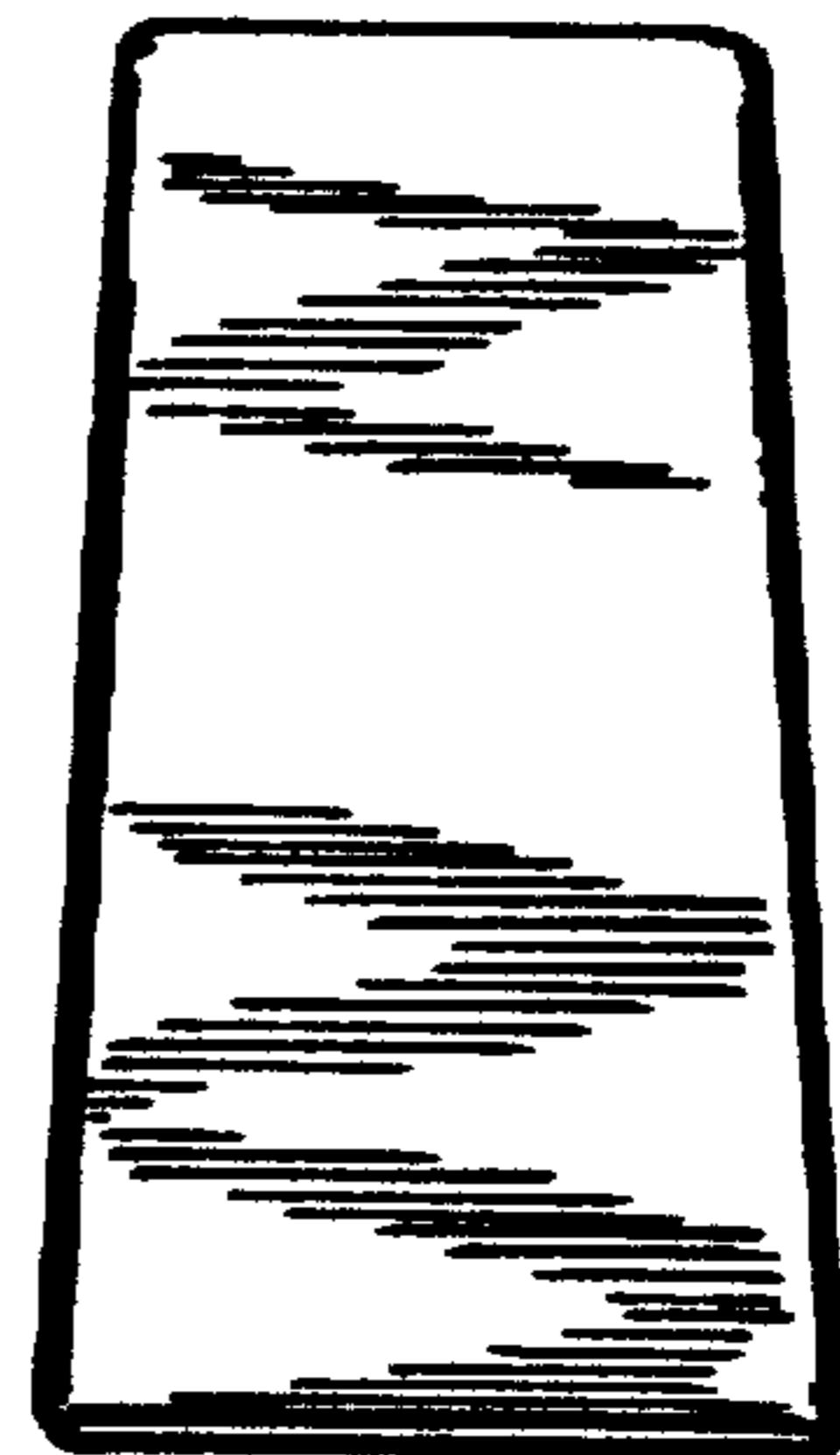


Fig. 12.