

[54] ROCKING TOY

[75] Inventor: William U. Nipper, Jr., Swainsboro, Ga.

[73] Assignee: Randolph C. Karrh, Swainsboro, Ga.

[\*\*] Term: 14 Years

[21] Appl. No.: 667,194

[22] Filed: Mar. 15, 1976

[51] Int. Cl. .... D21-03

[52] U.S. Cl. .... D34/5 D

[58] Field of Search ..... D34/5 D; 272/56

[56] References Cited

U.S. PATENT DOCUMENTS

1,401,906 12/1921 Haugh ..... D34/5 D  
D. 189,670 1/1961 Williams et al. .... D34/5 D

OTHER PUBLICATIONS

Everwear Cat. No. 40, rec'd. Aug. 29, 1949, p. 7, top, Rocking Teeter.  
Playthings, Mar. 1959, p. 479, upper right, "Rocketeer."

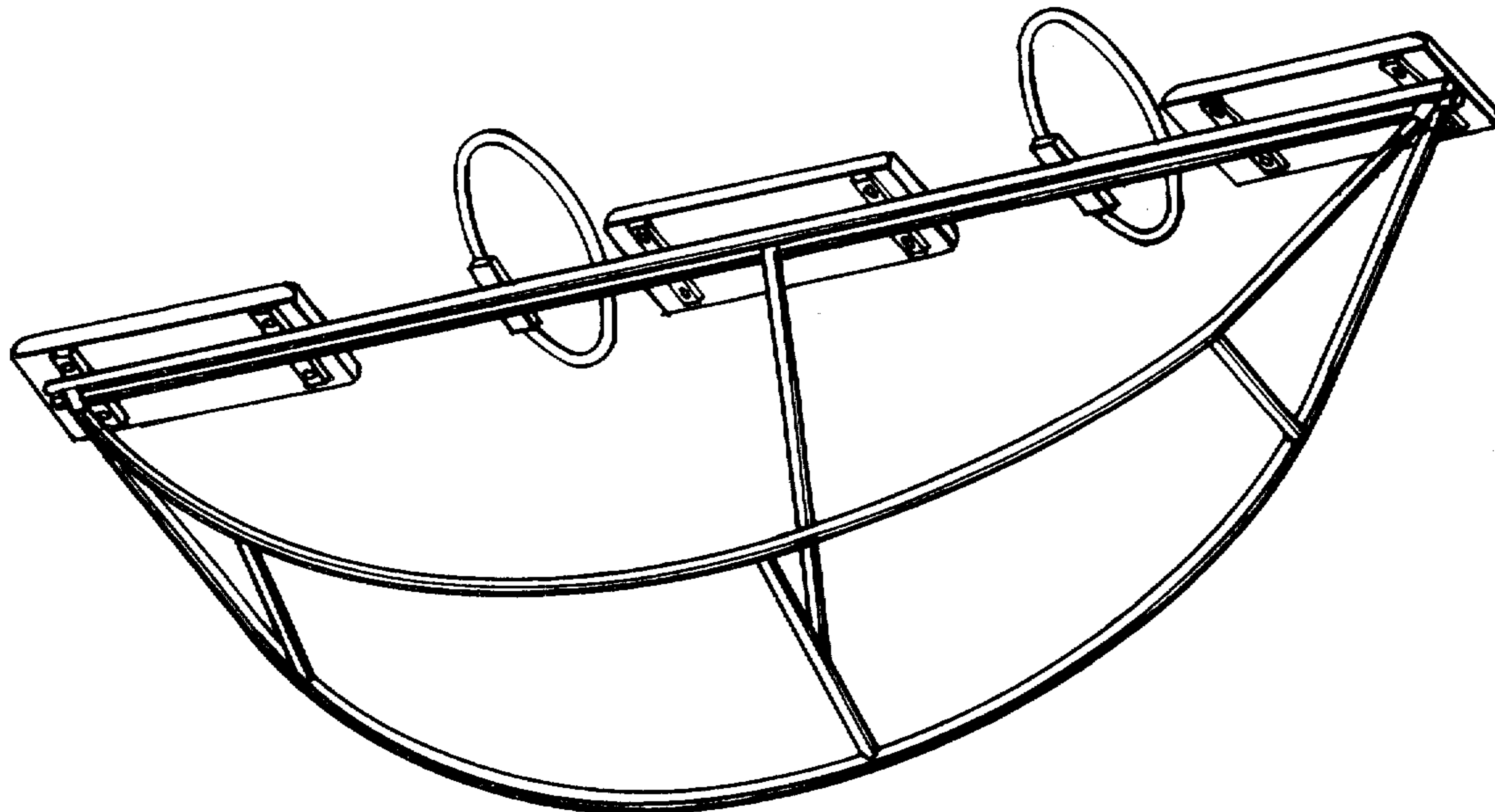
Primary Examiner—Melvin B. Feifer  
Attorney, Agent, or Firm—John W. Malley

[57] CLAIM

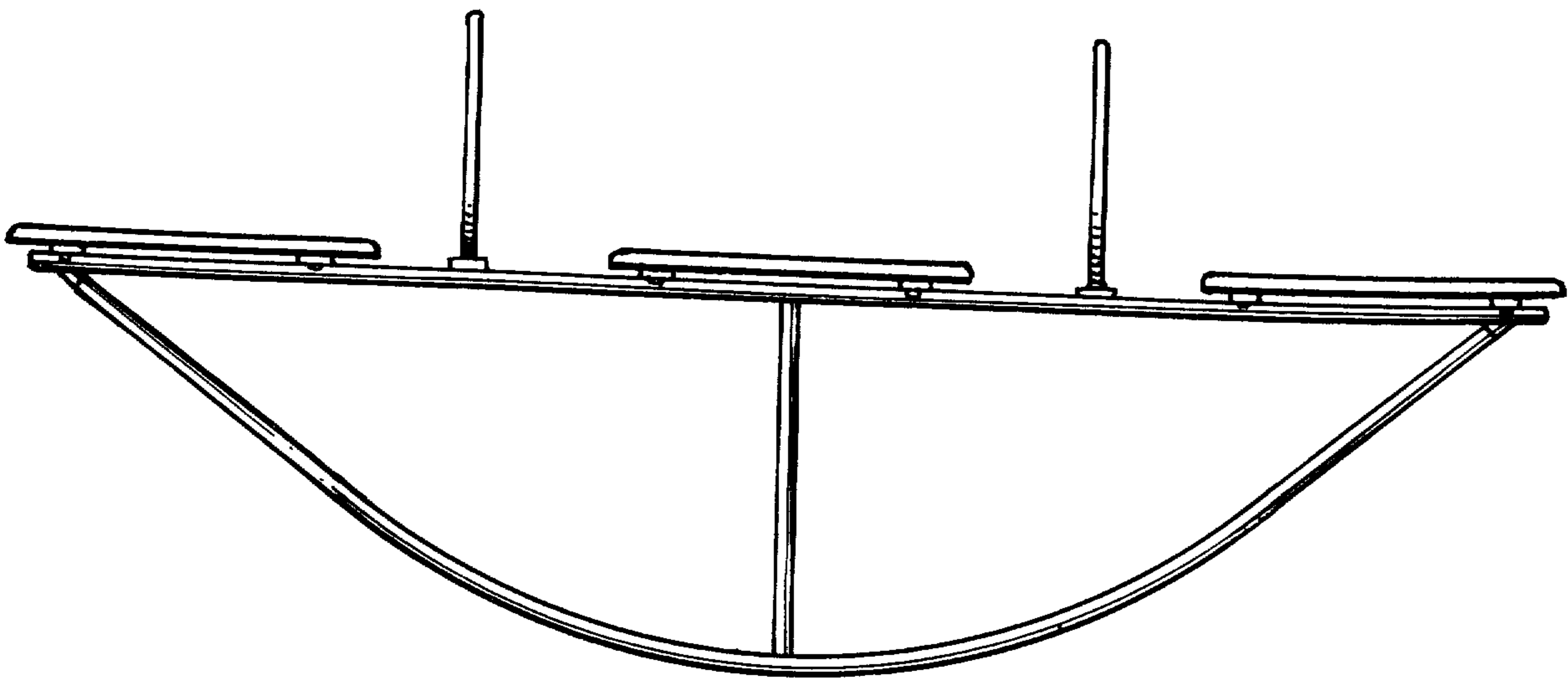
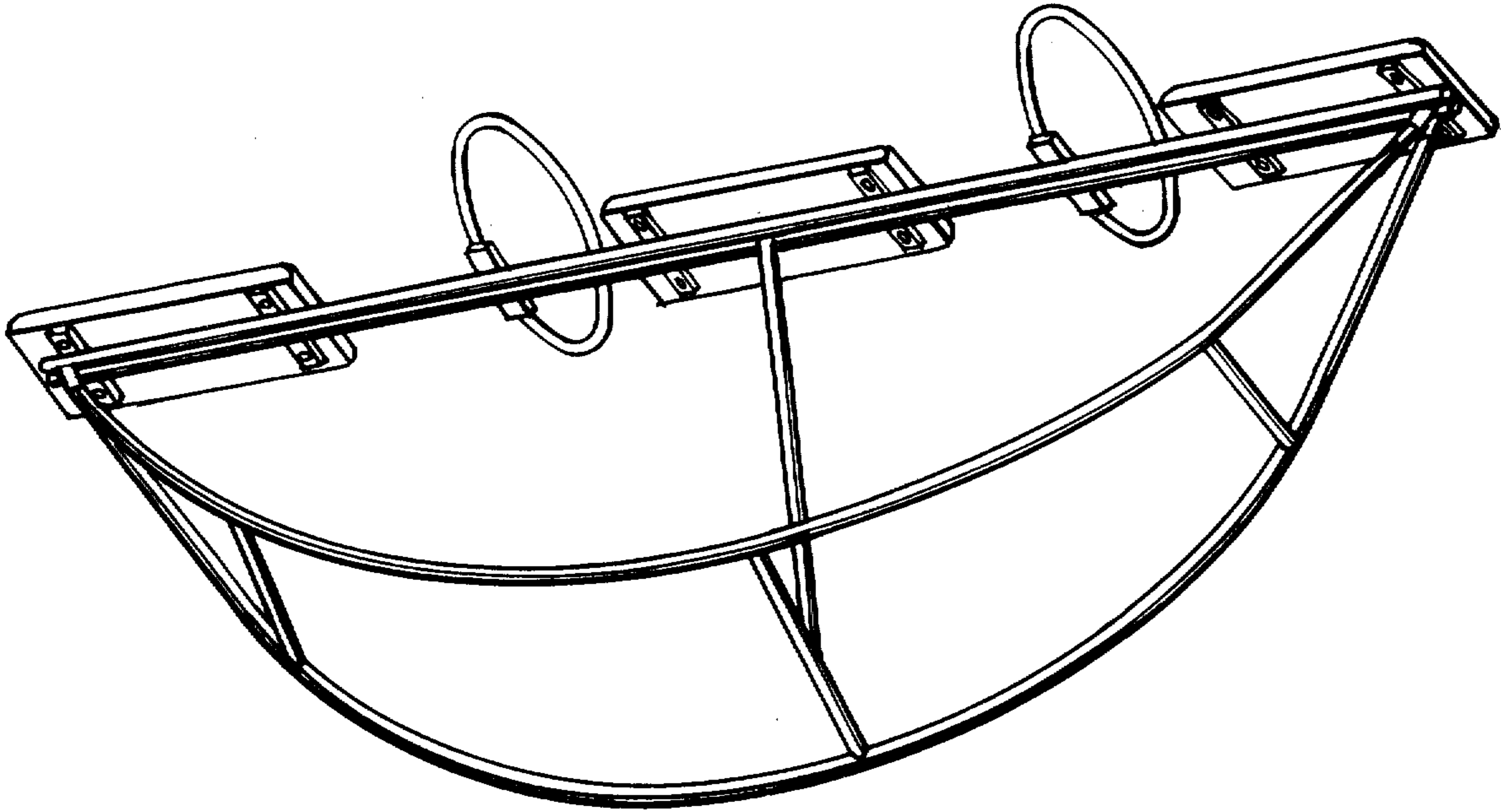
The ornamental design for rocking toy, as shown.

DESCRIPTION

FIG. 1 is a perspective view of the rocking toy showing my new design;  
FIG. 2 is a side elevational view of the rocking toy of FIG. 1;  
FIG. 3 is a top plan view of the rocking toy of FIG. 1; and  
FIG. 4 is an end elevational view of the rocking toy of FIG. 1.

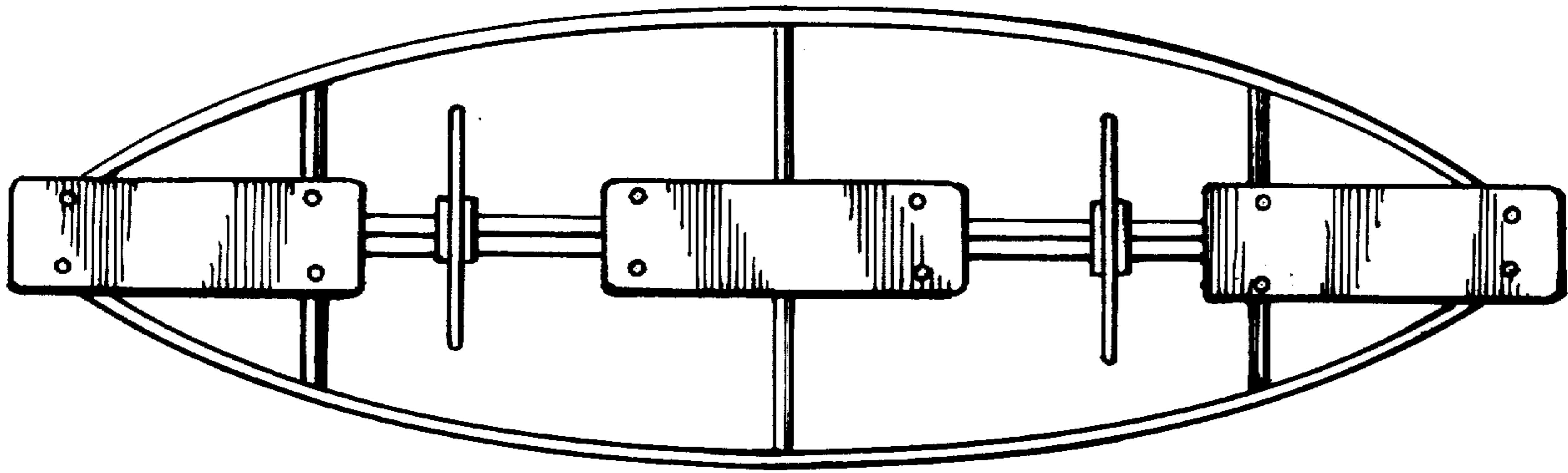


*Fig. 1*



*Fig. 2*

*Fig. 3*



*Fig. 4*

