

[54] BIRD FEEDER

[76] Inventor: Michael L. Greene, 13103 Venango Road, Oxon Hill, Md. 20022

[**] Term: 14 Years

[21] Appl. No.: 592,711

[22] Filed: July 9, 1975

[51] Int. Cl. D30-03

[52] U.S. Cl. D30/14

[58] Field of Search D30/3-5, D30/13-16; 119/15, 23, 26, 51 R, 52 R, 61

[56] References Cited

U.S. PATENT DOCUMENTS

2,195,575	4/1940	Mallgraf	D30/14
3,643,631	2/1972	Wade et al.	119/23

OTHER PUBLICATIONS

Zenith Novelty Co. G7, © 1954, p. 55, Item No. Pk845.

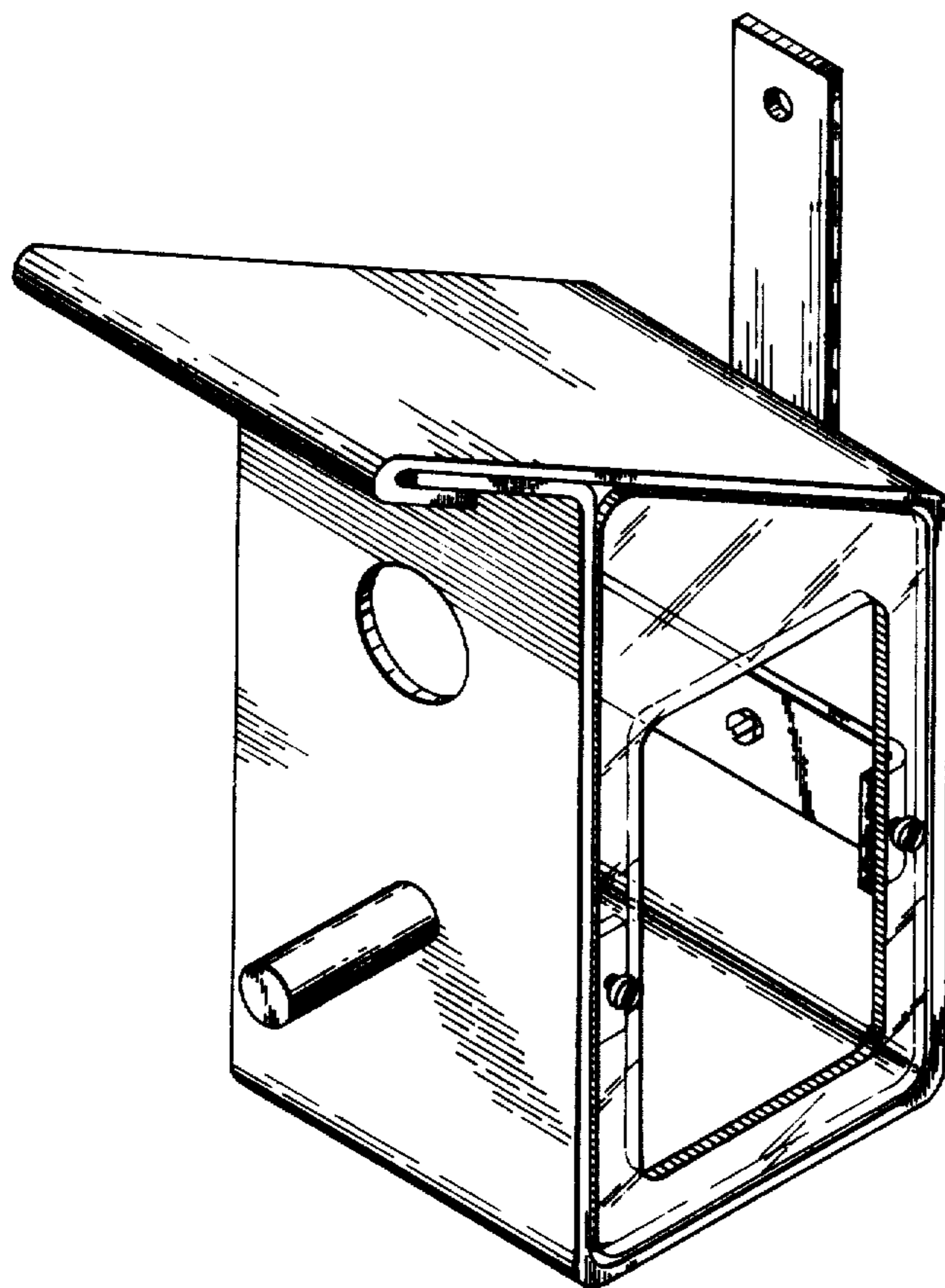
Primary Examiner—Joel Stearman
Assistant Examiner—George P. Word
Attorney, Agent, or Firm—Michael L. Greene

[57] CLAIM

The ornamental design for a bird feeder, substantially as shown and described.

DESCRIPTION

FIG. 1 is a perspective view of a bird feeder showing my new design, the side not shown being a mirror image thereof; and
FIG. 2 is a rear elevational view thereof.



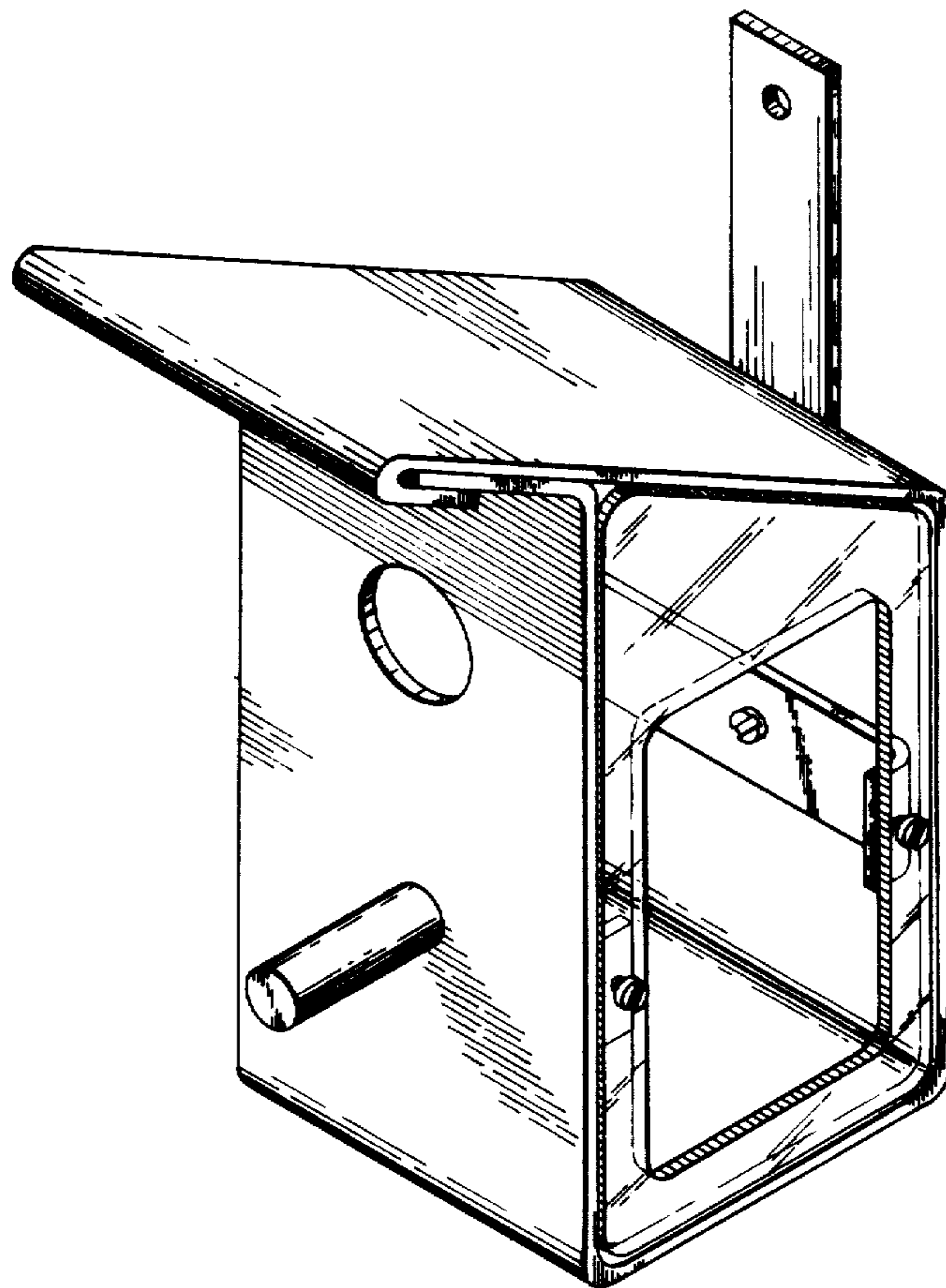


FIG. 1

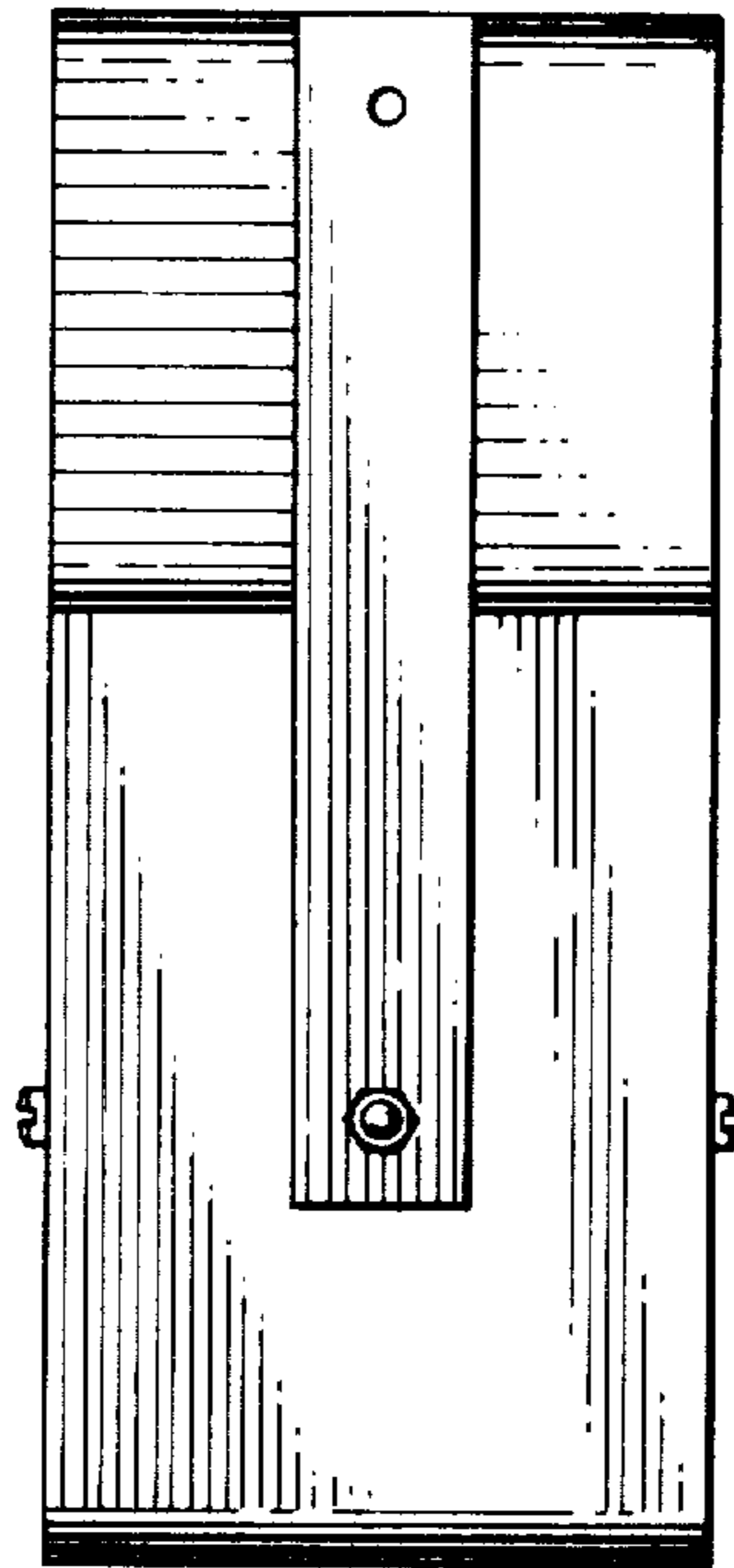


FIG. 2