

[54] **DESK TOP ACCOUNTING MACHINE**

[75] Inventor: **Mario Bellini**, Milan, Italy

[73] Assignee: **Ing. C. Olivetti & C., S.p.A.**, Ivrea, Italy

[**] Term: **14 Years**

[21] Appl. No.: **616,376**

[22] Filed: **Sept. 24, 1975**

[30] **Foreign Application Priority Data**

Mar. 27, 1975 Italy 52989/75

[51] Int. Cl. **D18-01**

[52] U.S. Cl. **D64/11 B**

[58] Field of Search D26/5 R, 5 C; D64/11 R, D64/11 A, 11 B, 11 C

[56] **References Cited**

U.S. PATENT DOCUMENTS

D. 223,300 4/1972 Sottsass, Jr. D64/11 B

D. 226,003 1/1973 Rudin D26/5 C

D. 237,799 11/1975 Sottsass D26/5 C

D. 238,204 12/1975 Sottsass, Jr. D64/11 B

OTHER PUBLICATIONS

Control, Feb. 1966, p. 61, NCR 395 Accounting System.

Control, Feb. 1966, p. 70, Remington Accounting Machine.

Primary Examiner—Wallace R. Burke

Assistant Examiner—Catherine Kemper

Attorney, Agent, or Firm—William E. Schuyler, Jr.

[57] **CLAIM**

The ornamental design for a desk top accounting machine, as shown and described.

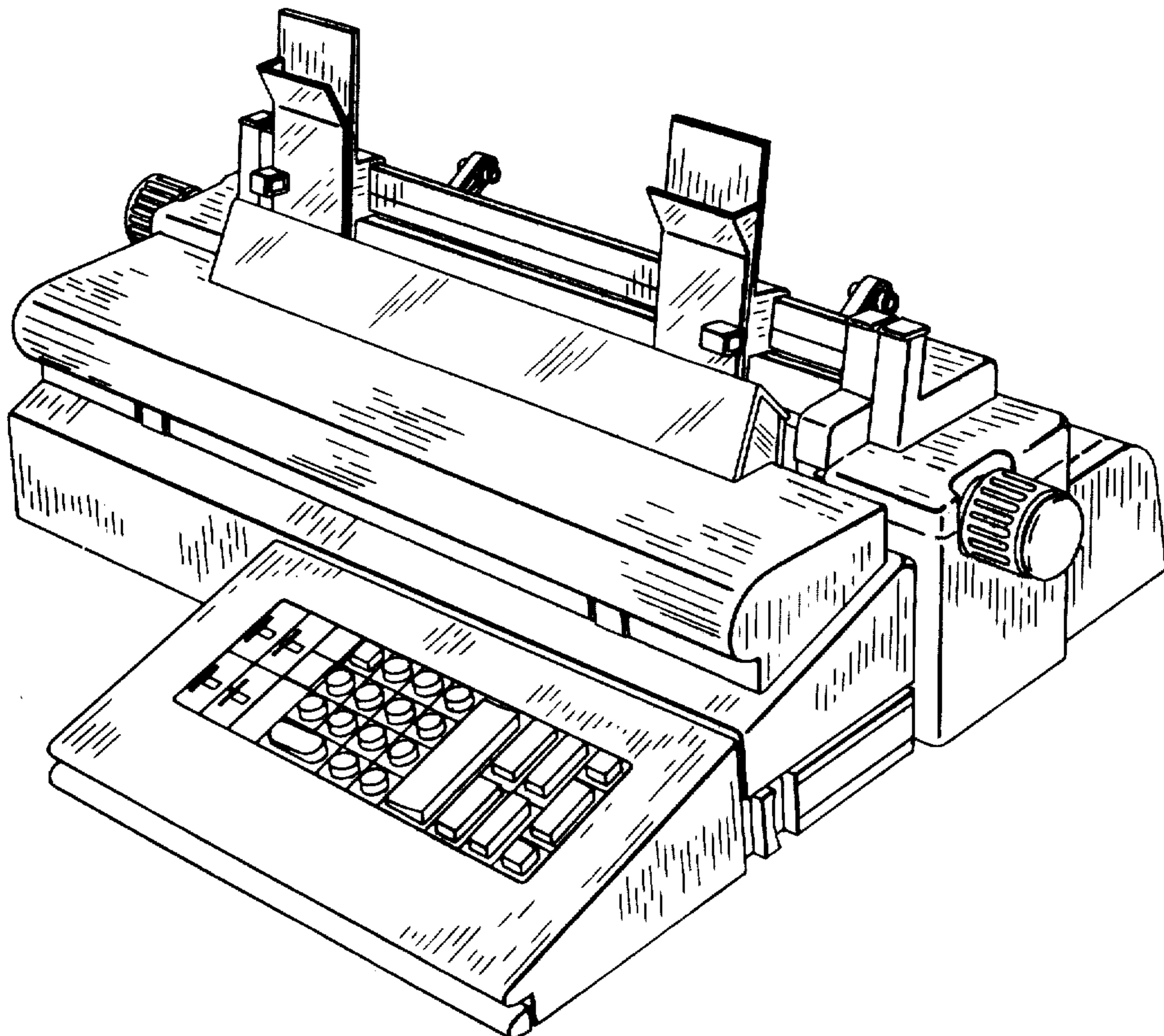
DESCRIPTION

FIG. 1 is a perspective view taken from the front, top and right side of a desk top accounting machine showing my new design;

FIG. 2 is a perspective view taken from the rear, top and left side thereof;

FIG. 3 is a top plan view thereof; and

FIG. 4 is a right side elevational view thereof.



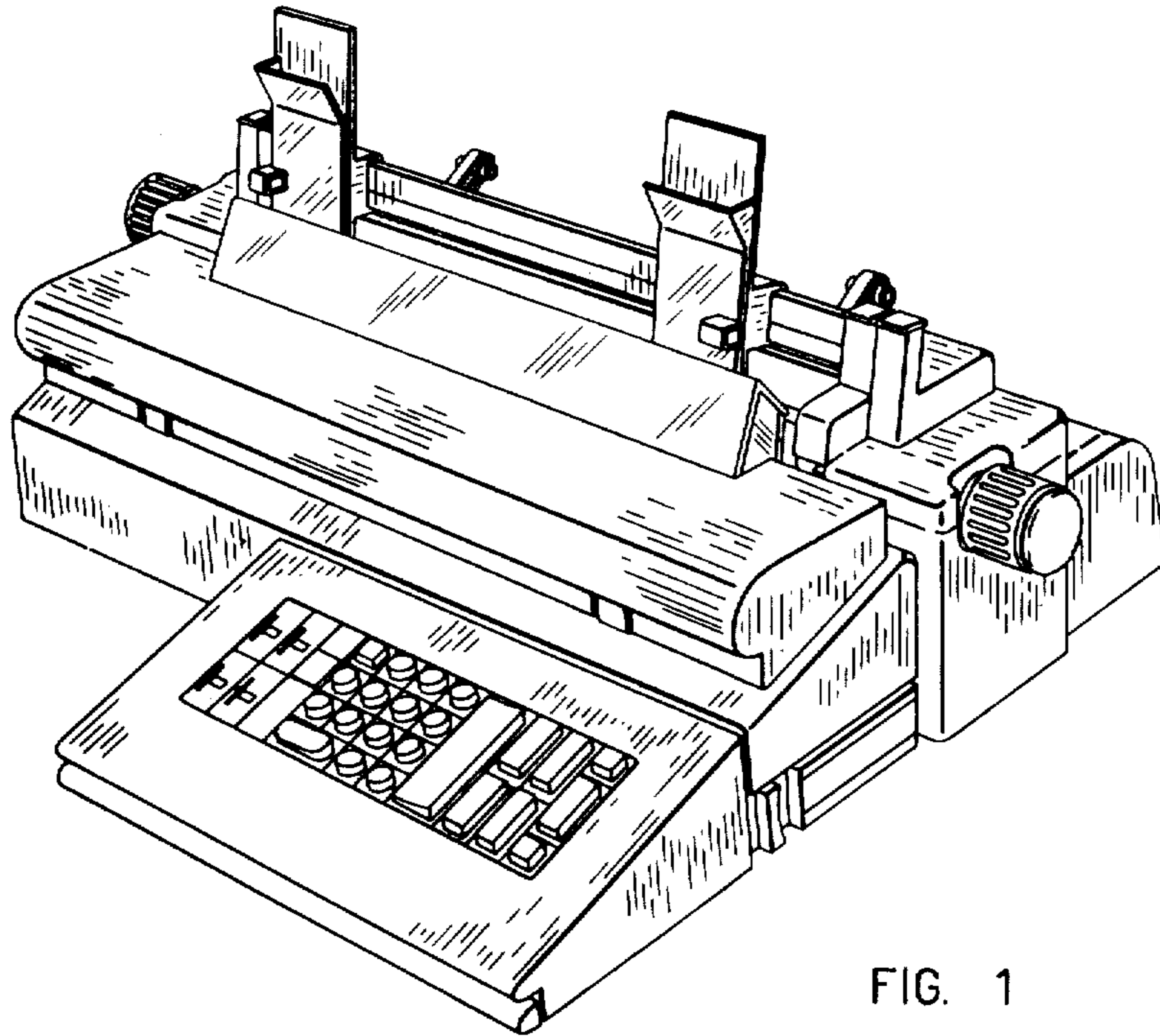


FIG. 1

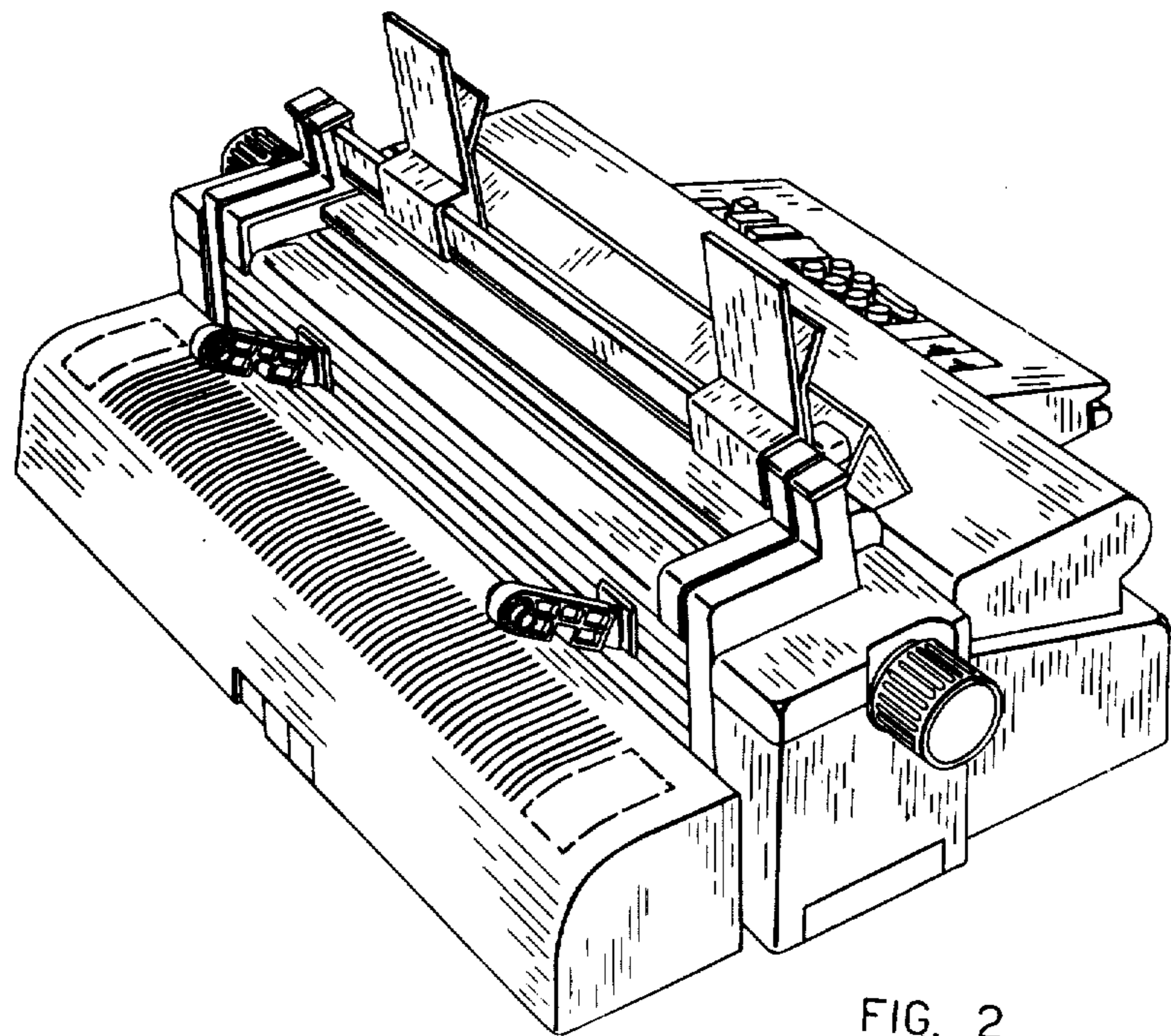


FIG. 2

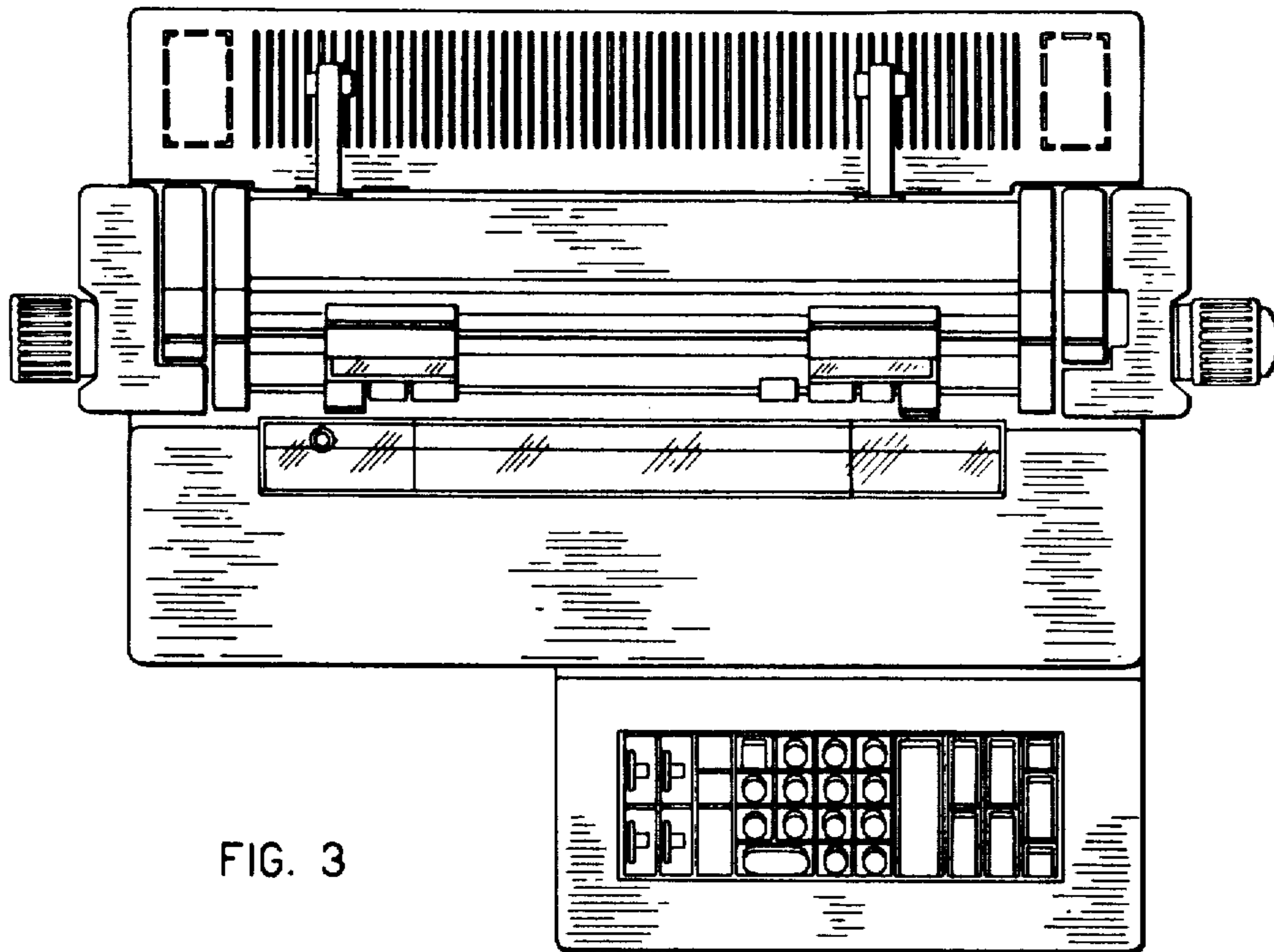


FIG. 3

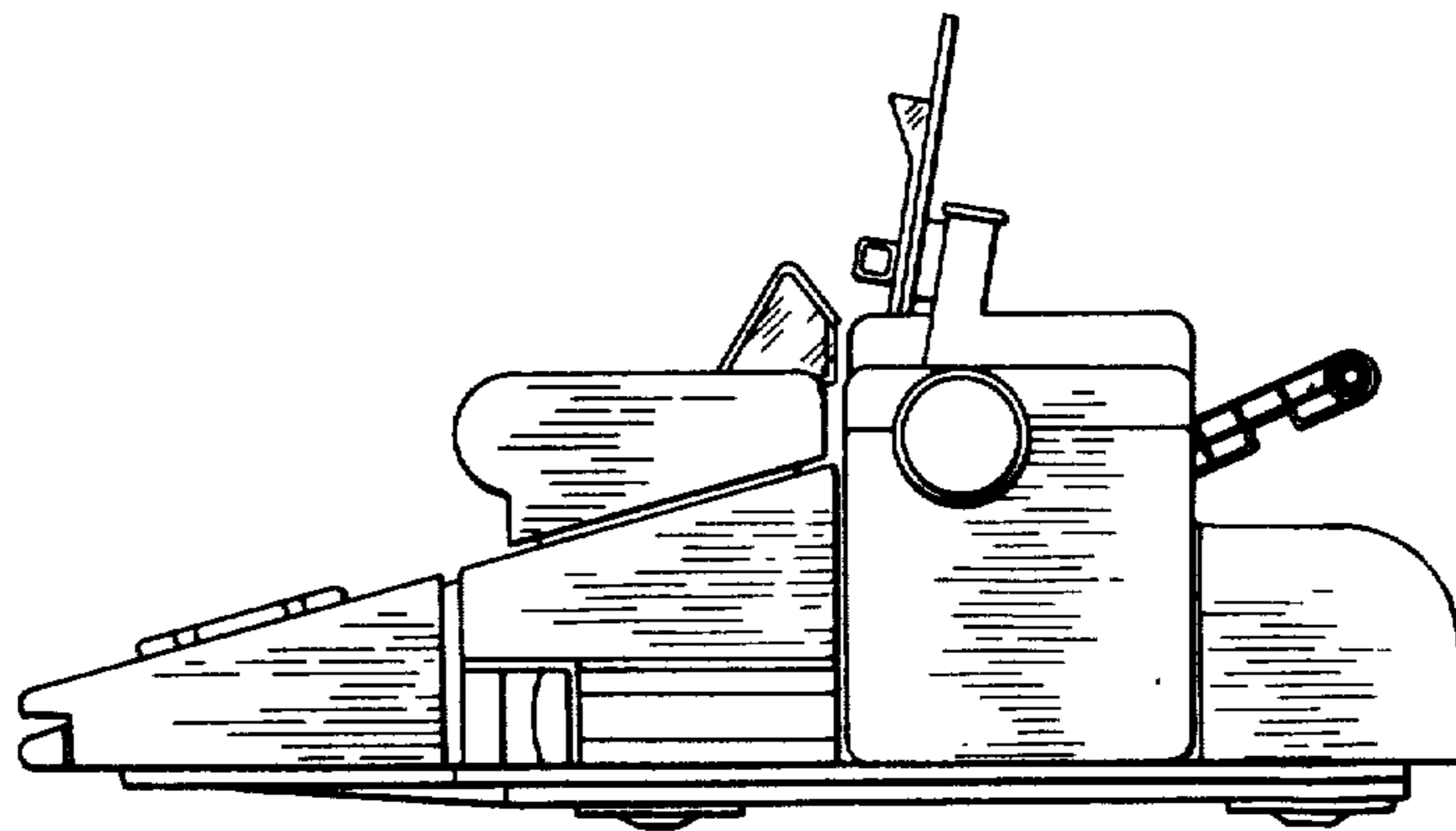


FIG. 4