

[54] **WELDING OUTLET**
 [75] Inventor: **Bobby W. Ryan, Houston, Tex.**
 [73] Assignee: **WFI International, Inc.**
 [**] Term: **14 Years**
 [21] Appl. No.: **659,921**
 [22] Filed: **Feb. 20, 1976**
 [51] Int. Cl. **D23-01**
 [52] U.S. Cl. **D23/40**
 [58] Field of Search **D23/40-47;**
 285/189, 286

[56] **References Cited**

U.S. PATENT DOCUMENTS			
2,015,246	9/1935	Taylor	285/189
2,495,615	1/1950	Vander Clute	285/189 X
2,981,556	4/1961	Jackson	285/189 X
3,026,130	3/1962	Morrell	285/286
3,183,023	5/1965	Morrison	285/189 X
3,254,909	6/1966	VerNooy	285/189
3,516,692	6/1970	Albrecht	285/286 X

3,594,025	7/1971	Wagner	285/189 X
3,894,757	7/1975	Best	285/286 X
D. 187,176	2/1966	Jackson	D23/45
D. 238,876	2/1976	Andersson	D23/43

FOREIGN PATENT DOCUMENTS

16,943	3/1934	Australia	285/189
--------	--------	-----------------	---------

Primary Examiner—James R. Largen
Attorney, Agent, or Firm—Pravel & Wilson

[57] **CLAIM**
 The ornamental design for a welding outlet, substantially as shown.

DESCRIPTION

FIG. 1 is a perspective view of a welding outlet showing my new design;
FIG. 2 is a top plan view thereof;
FIG. 3 is a side elevational view thereof; and
FIG. 4 is a side elevational view taken 90° from that shown in **FIG. 3**.

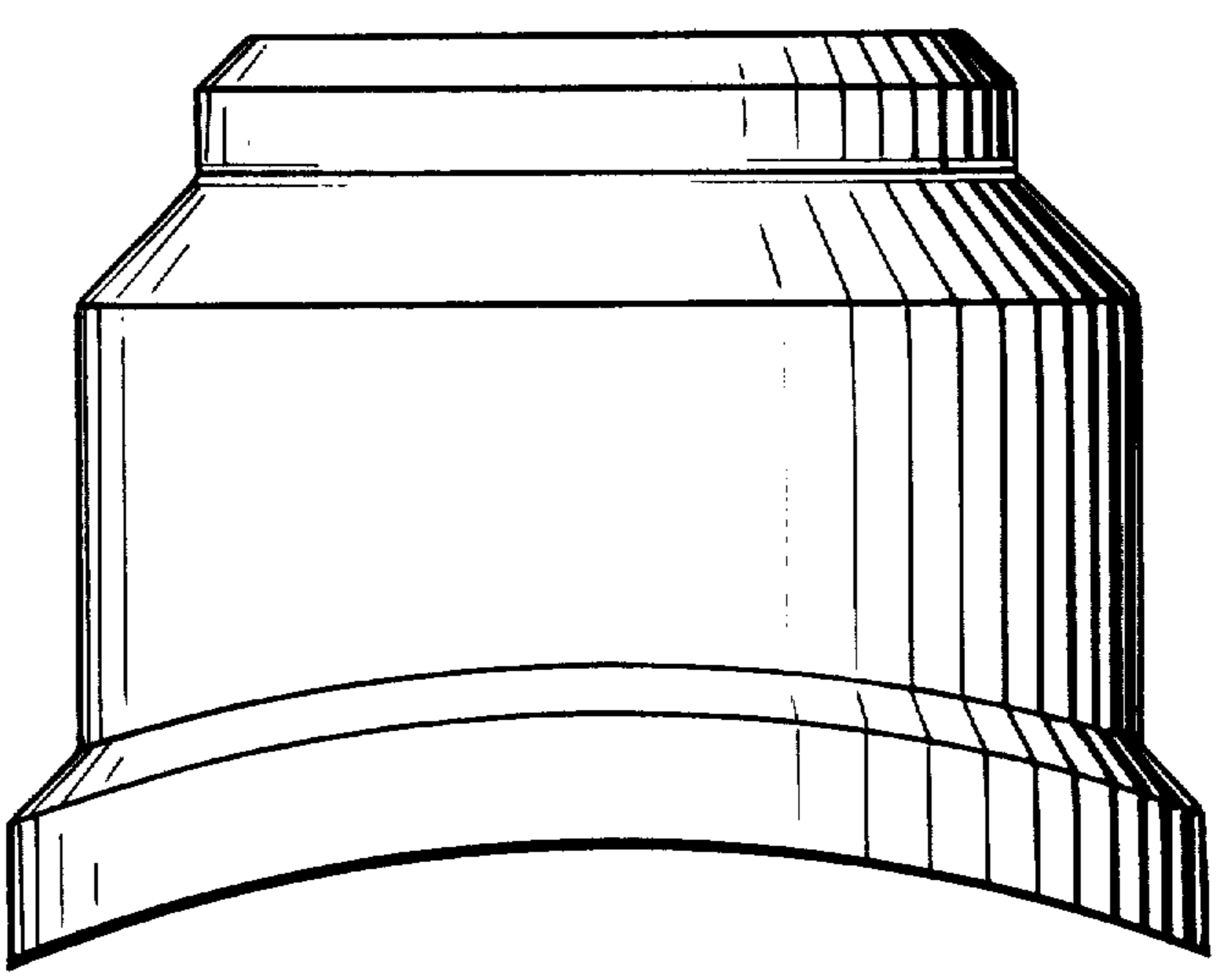
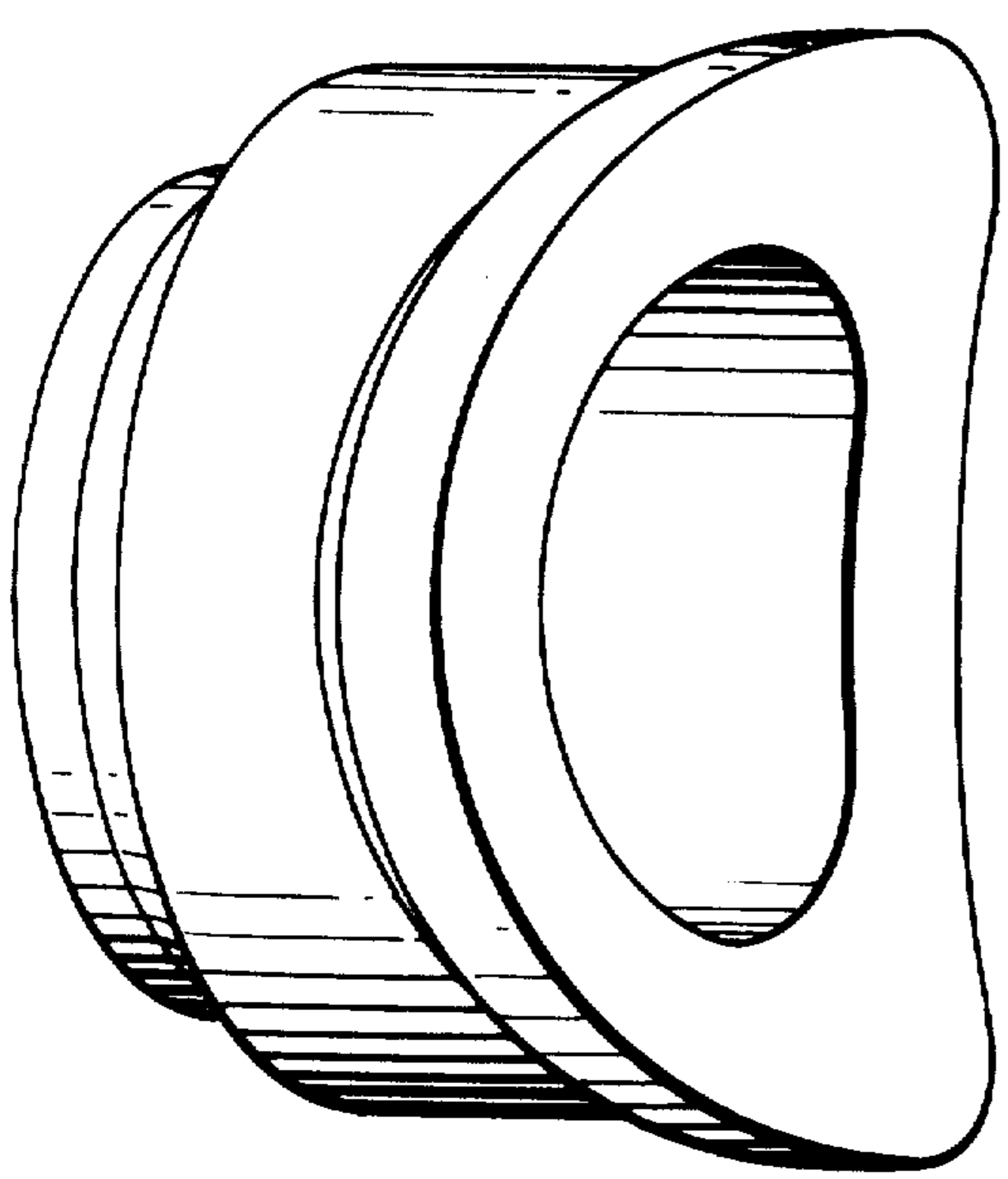


Fig. 1

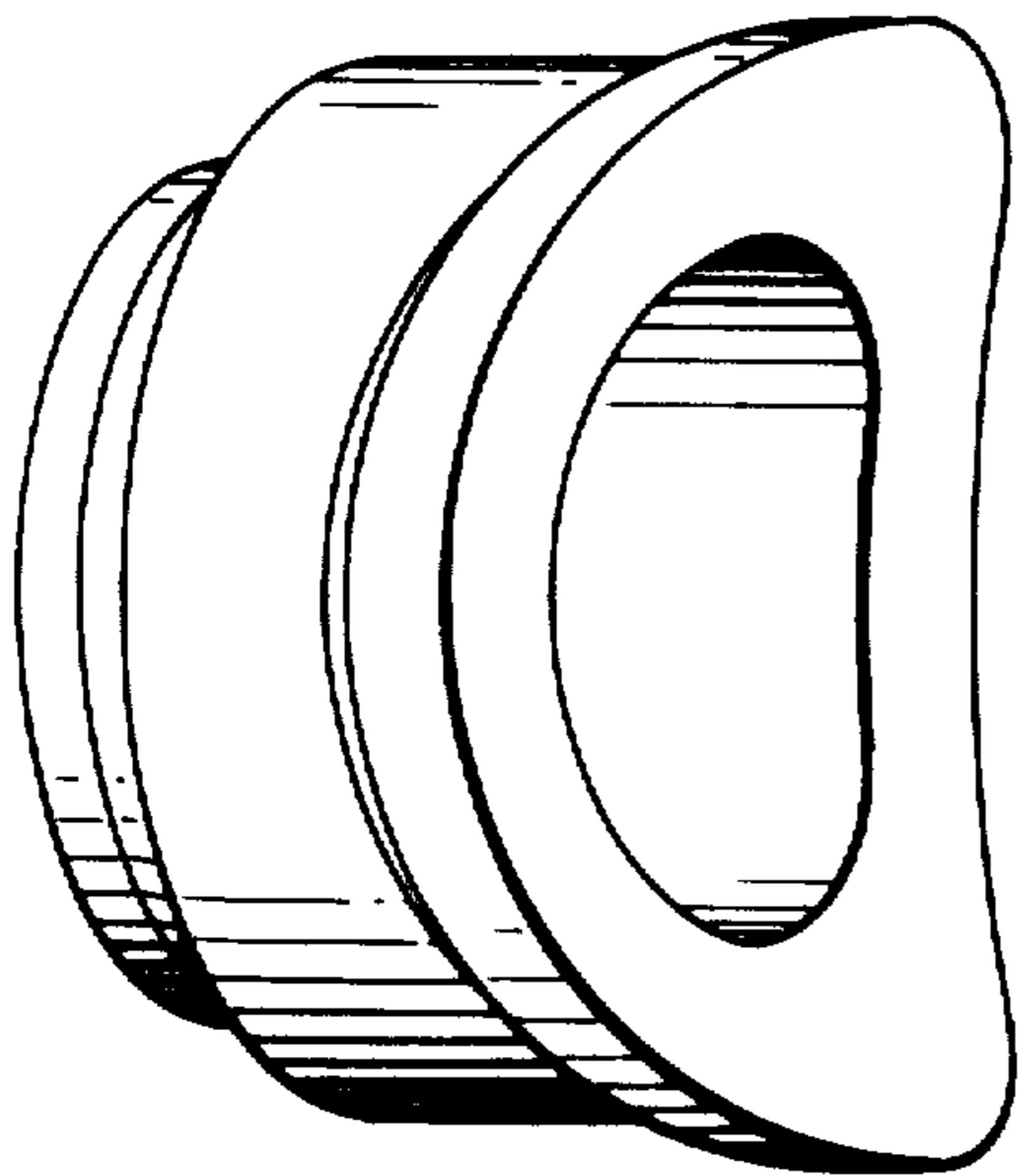


Fig. 2

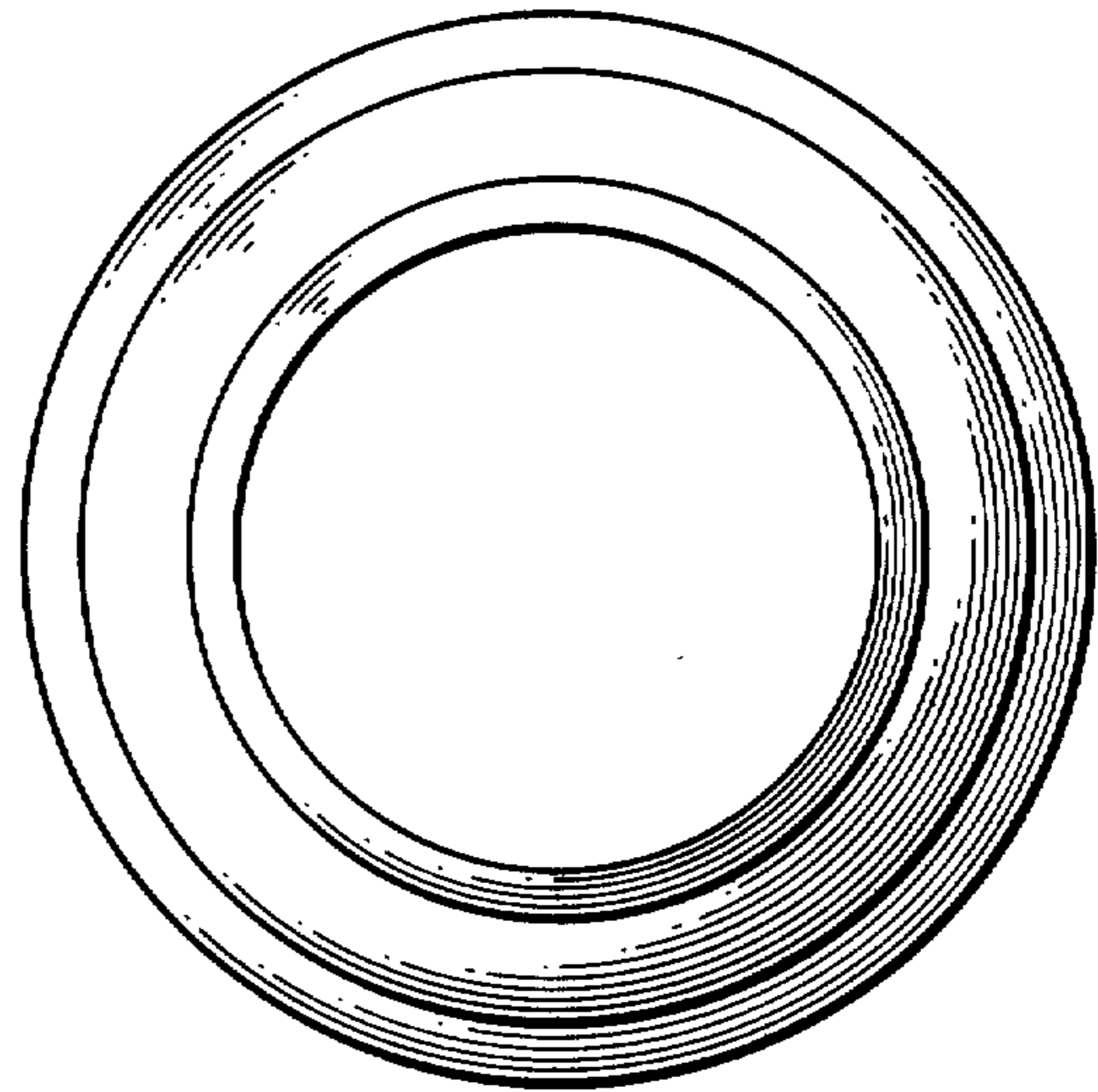


Fig. 3

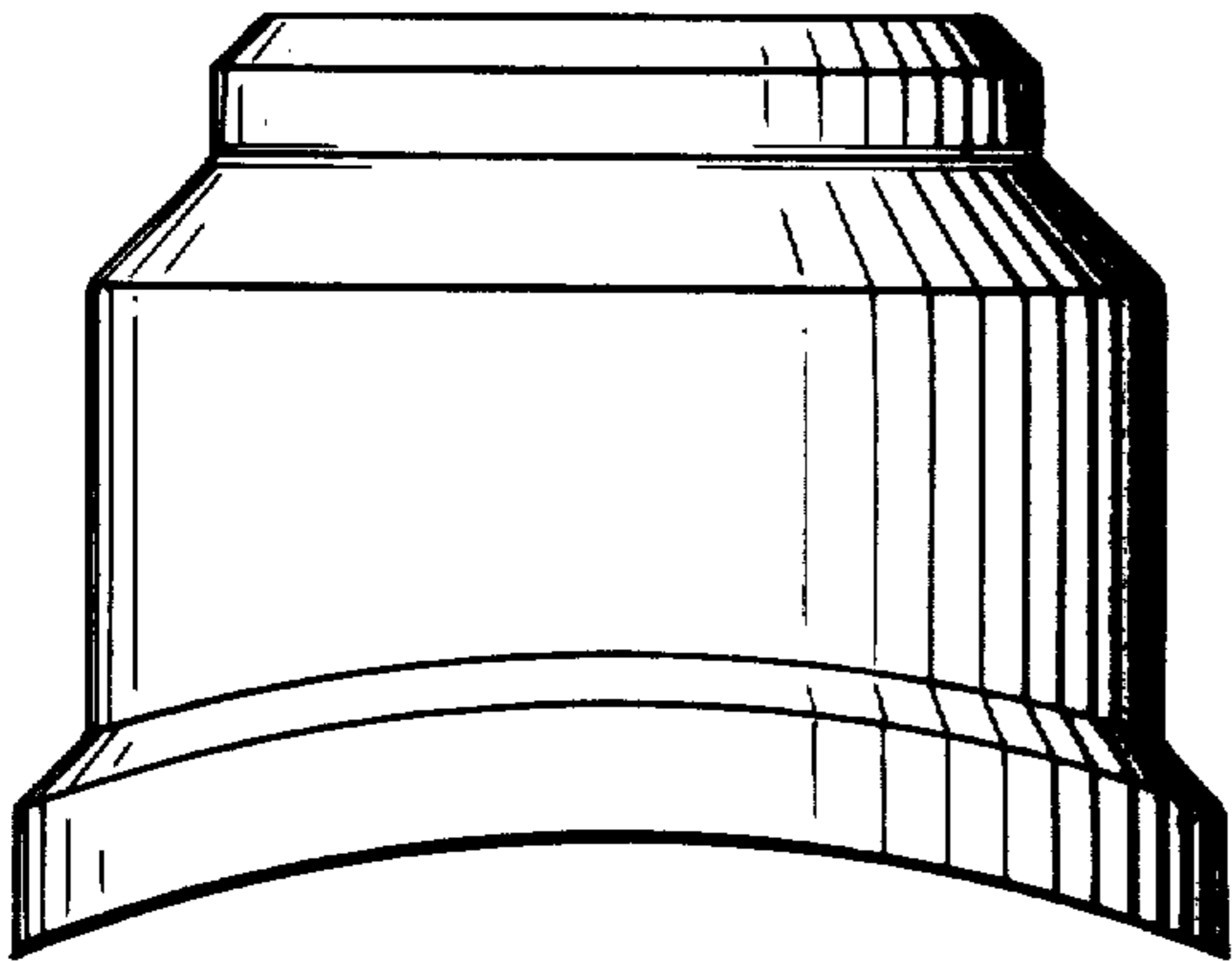


Fig. 4

