

[54] STORAGE TANK

[76] Inventors: **Marvin D. Kerr; Donald R. Kerr,**  
both of 220 Burlington St., Hastings,  
Nebr. 68901

[\*\*] Term: **14 Years**

[21] Appl. No.: **630,140**

[22] Filed: **Nov. 10, 1975**

[51] Int. Cl. .... **D23-01**

[52] U.S. Cl. .... **D23/2**

[58] Field of Search ..... **D23/1, 2; 220/1 B, 3 R,**  
**220/5 A**

[56] **References Cited**

**U.S. PATENT DOCUMENTS**

2,143,248	1/1939	Otto .....	D23/2 UX
2,671,573	3/1954	Hendon et al. ....	220/5 A
2,792,125	5/1957	Gallacher .....	D23/2 UX
D. 234,461	3/1975	Piotrowski .....	D23/2

*Primary Examiner*—James R. Largen

*Attorney, Agent, or Firm*—George R. Nimmer

[57] **CLAIM**

The ornamental design for a storage tank, as shown and described.

**DESCRIPTION**

FIG. 1 is a perspective view of a storage tank showing our new design;

FIG. 2 is an elevational view taken from one end thereof, the opposite end being a mirror image of the end shown;

FIG. 3 is an elevational view taken from one side thereof, the opposite side being a mirror image of the side shown;

FIG. 4 is a top plan view thereof;

FIG. 5 is a bottom plan view thereof;

Fig. 6 is a cross-sectional view taken along line 6—6 of FIG. 3;

FIG. 7 is a perspective view of a modified form of our new design for storage tank;

FIG. 8 is an elevational view taken from one end of FIG. 7, the opposite end being a mirror image of the end shown;

FIG. 9 is an elevational view taken from one side of FIG. 7, the opposite side being a mirror image of the side shown;

FIG. 10 is a top plan view of the FIG. 7 embodiment; FIG. 11 is a bottom plan view of the FIG. 7 embodiment; and

FIG. 12 is a cross-sectional view taken along line 12—12 of FIG. 8.

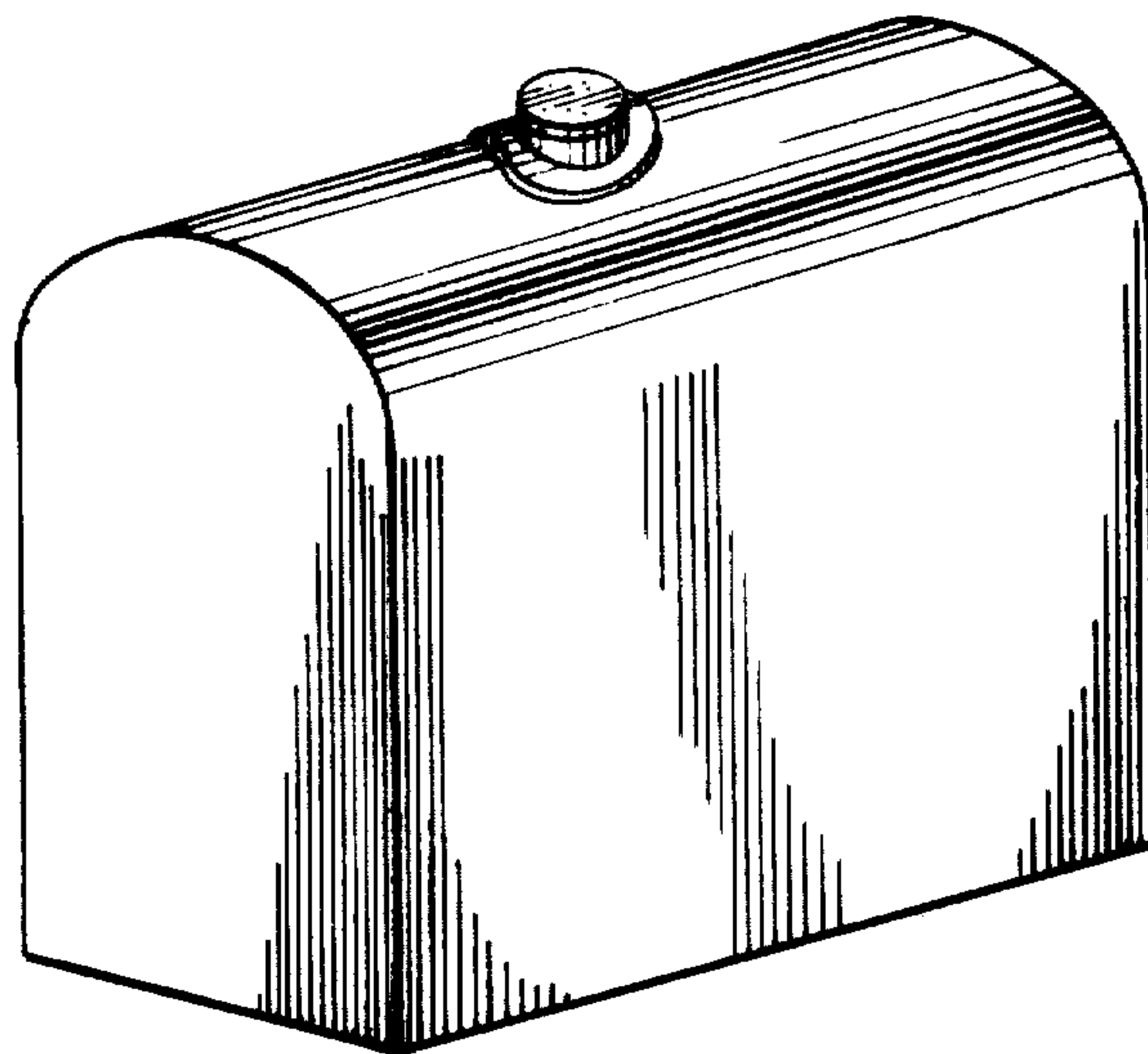


FIG. 1

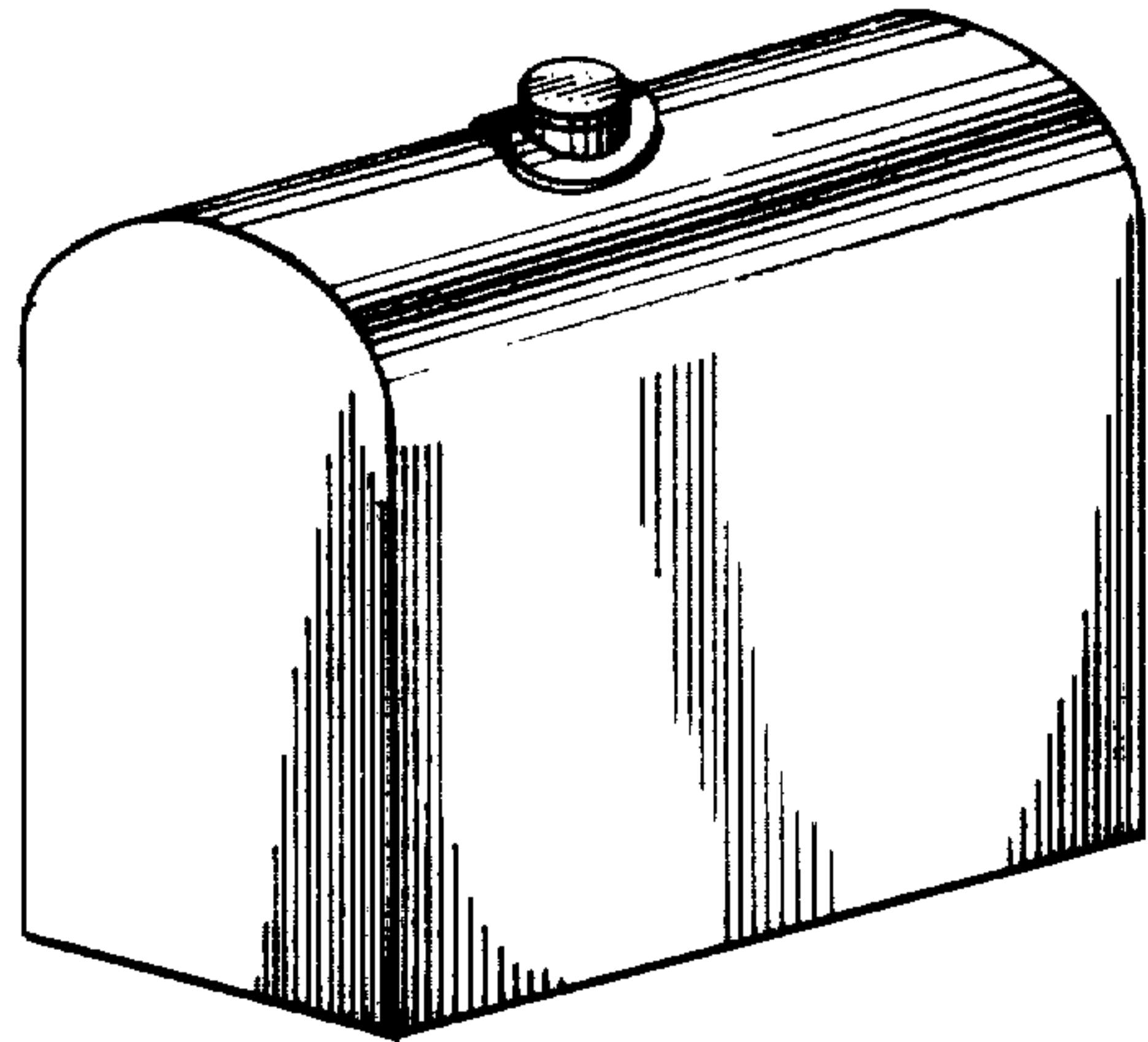


FIG. 2

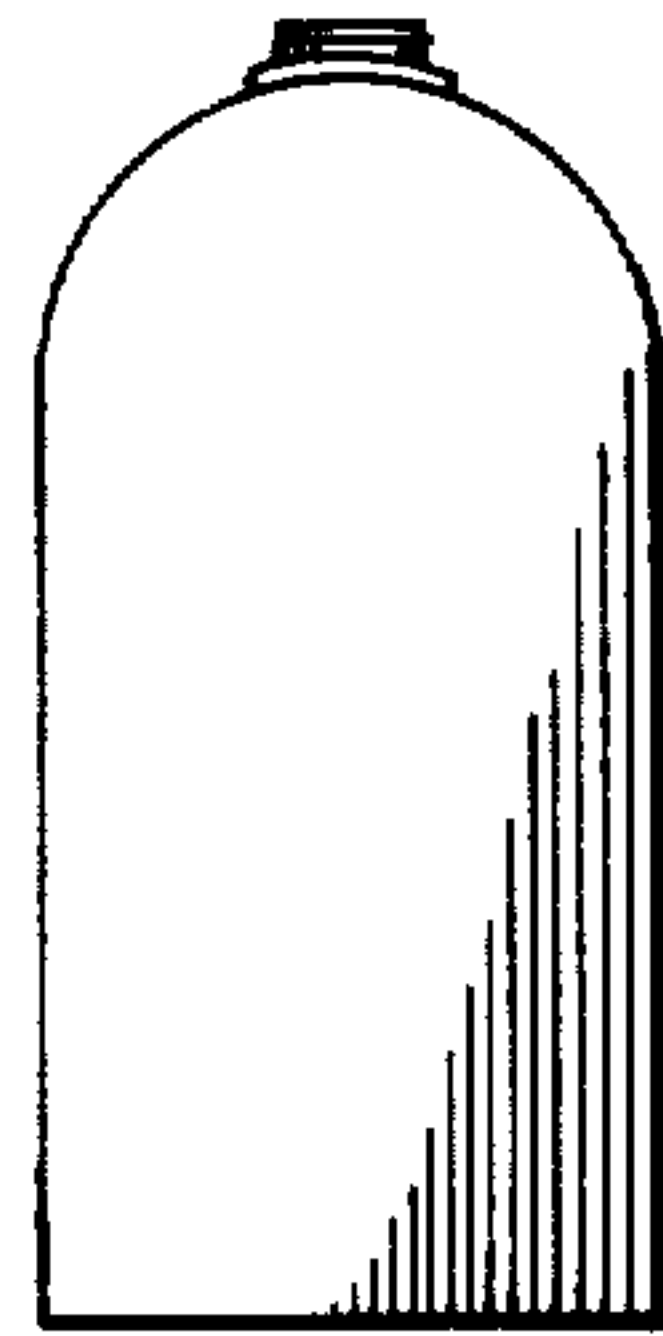


FIG. 3

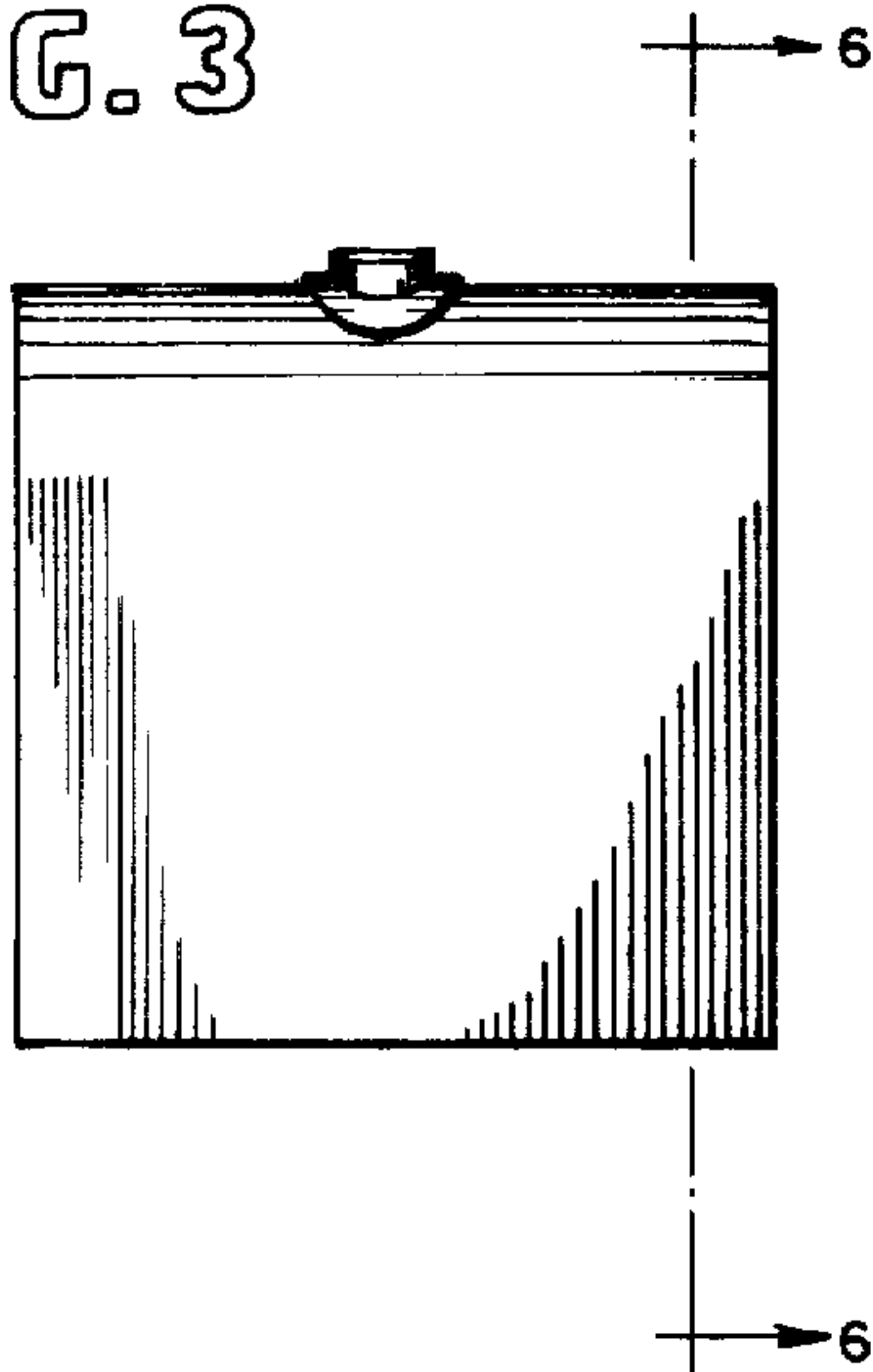


FIG. 4

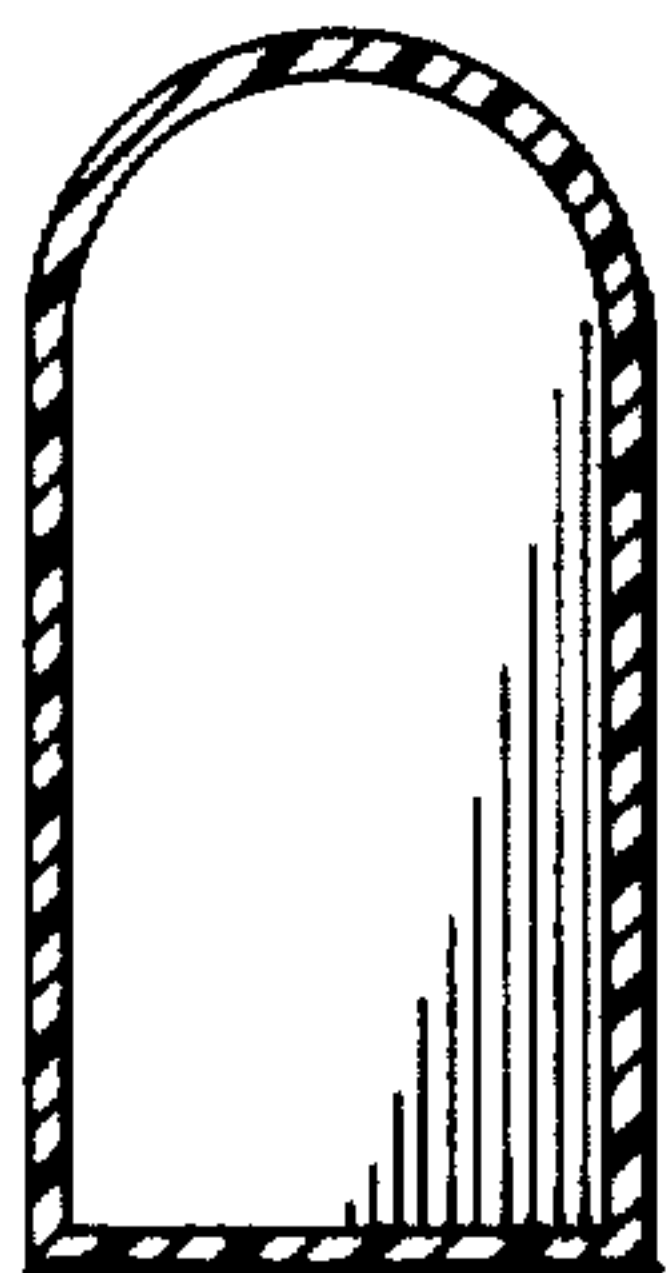
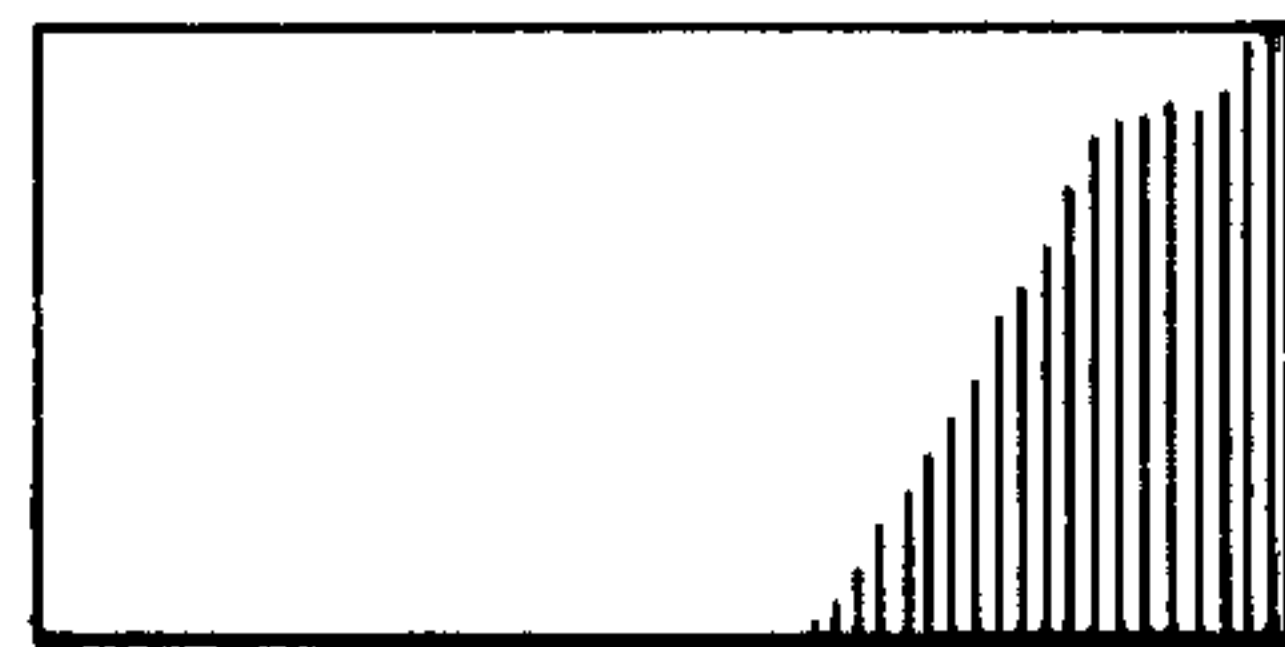
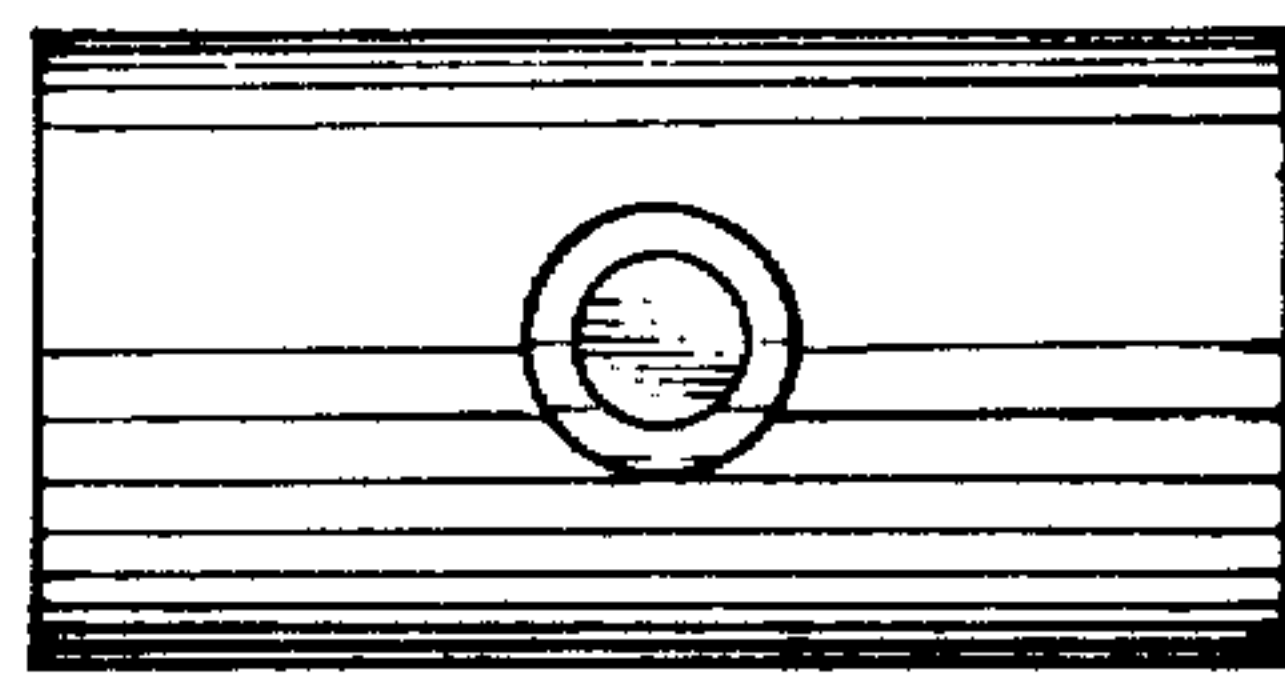


FIG. 5

FIG. 6

FIG. 7

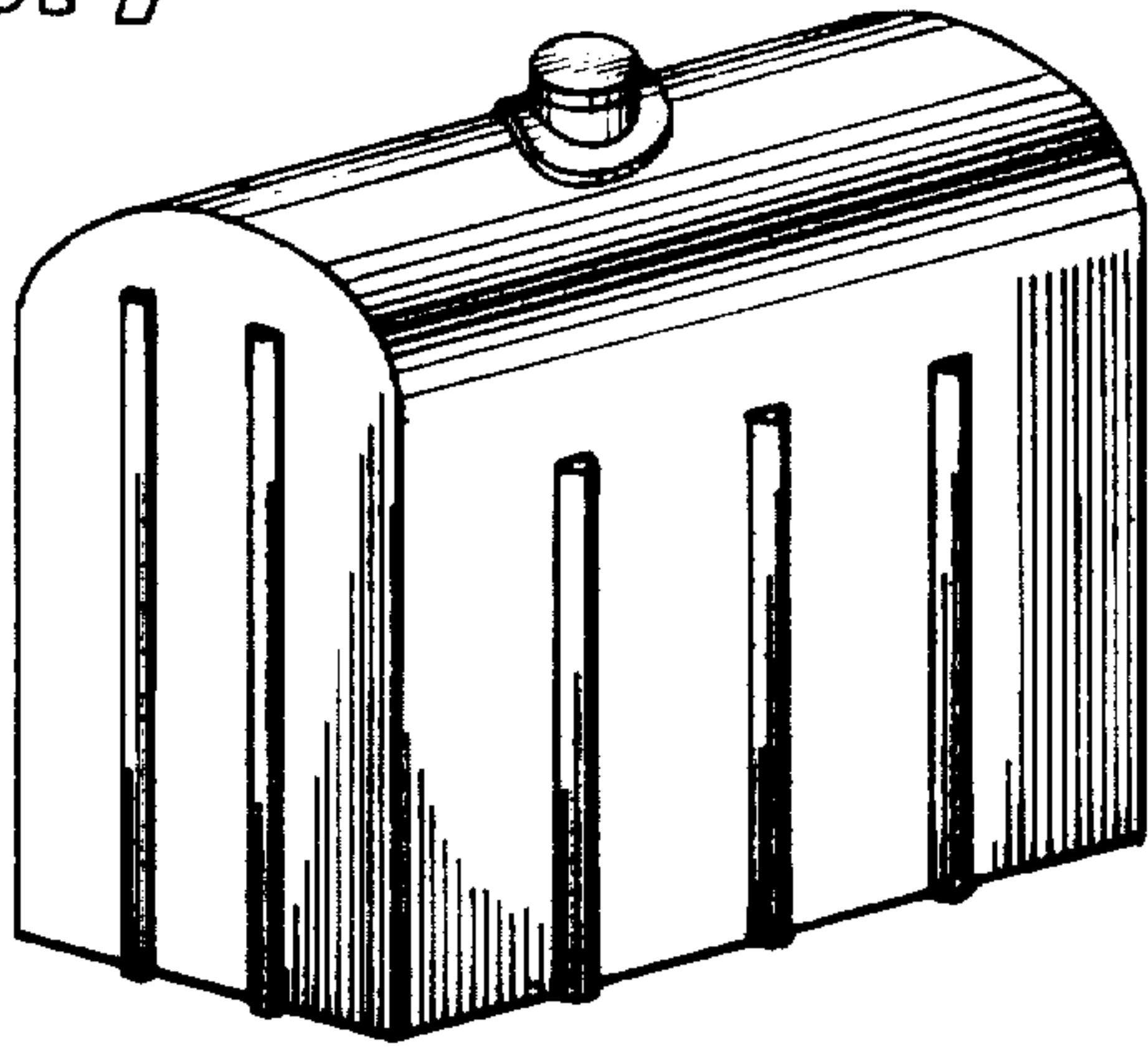


FIG. 8

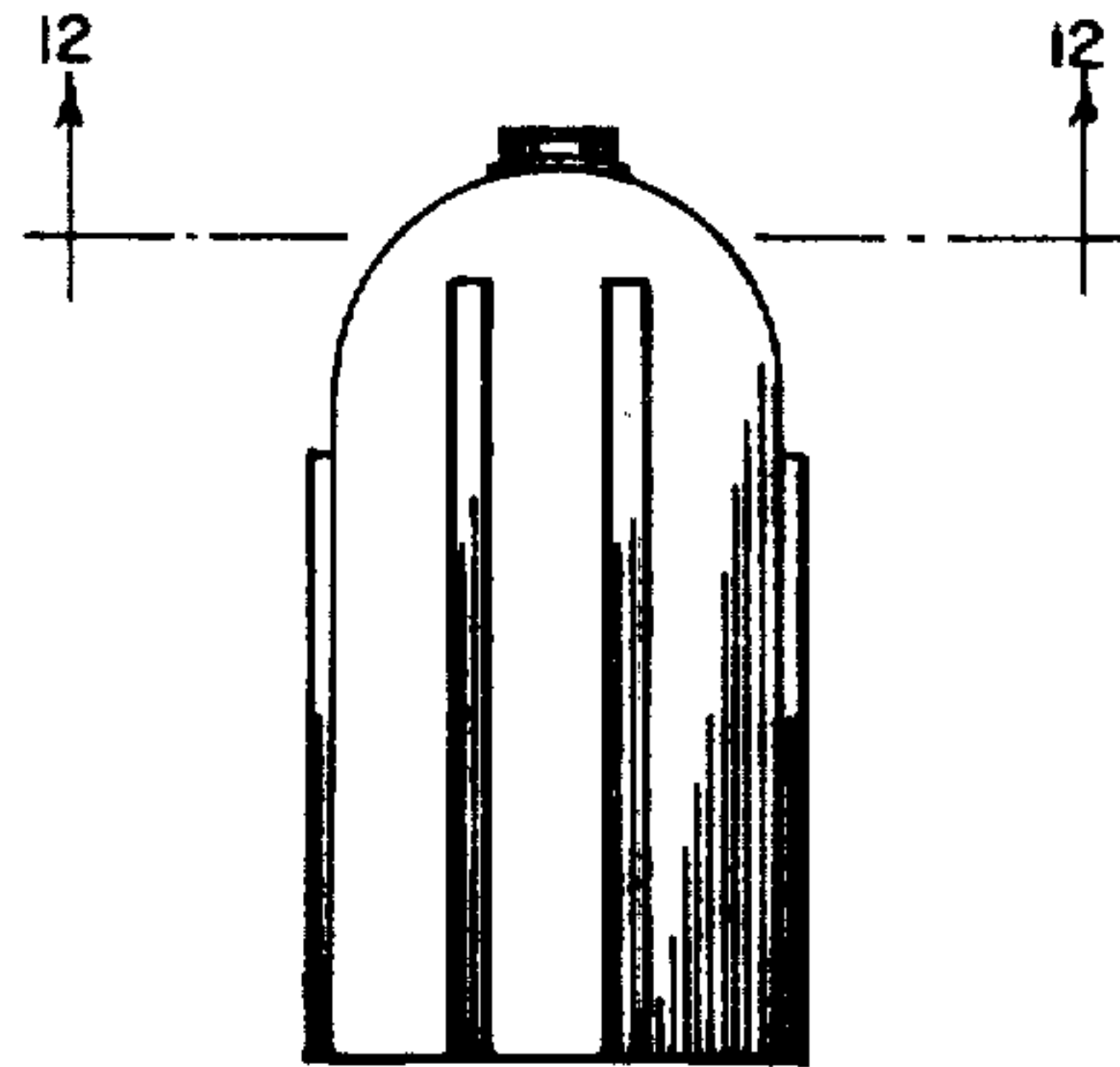


FIG. 9

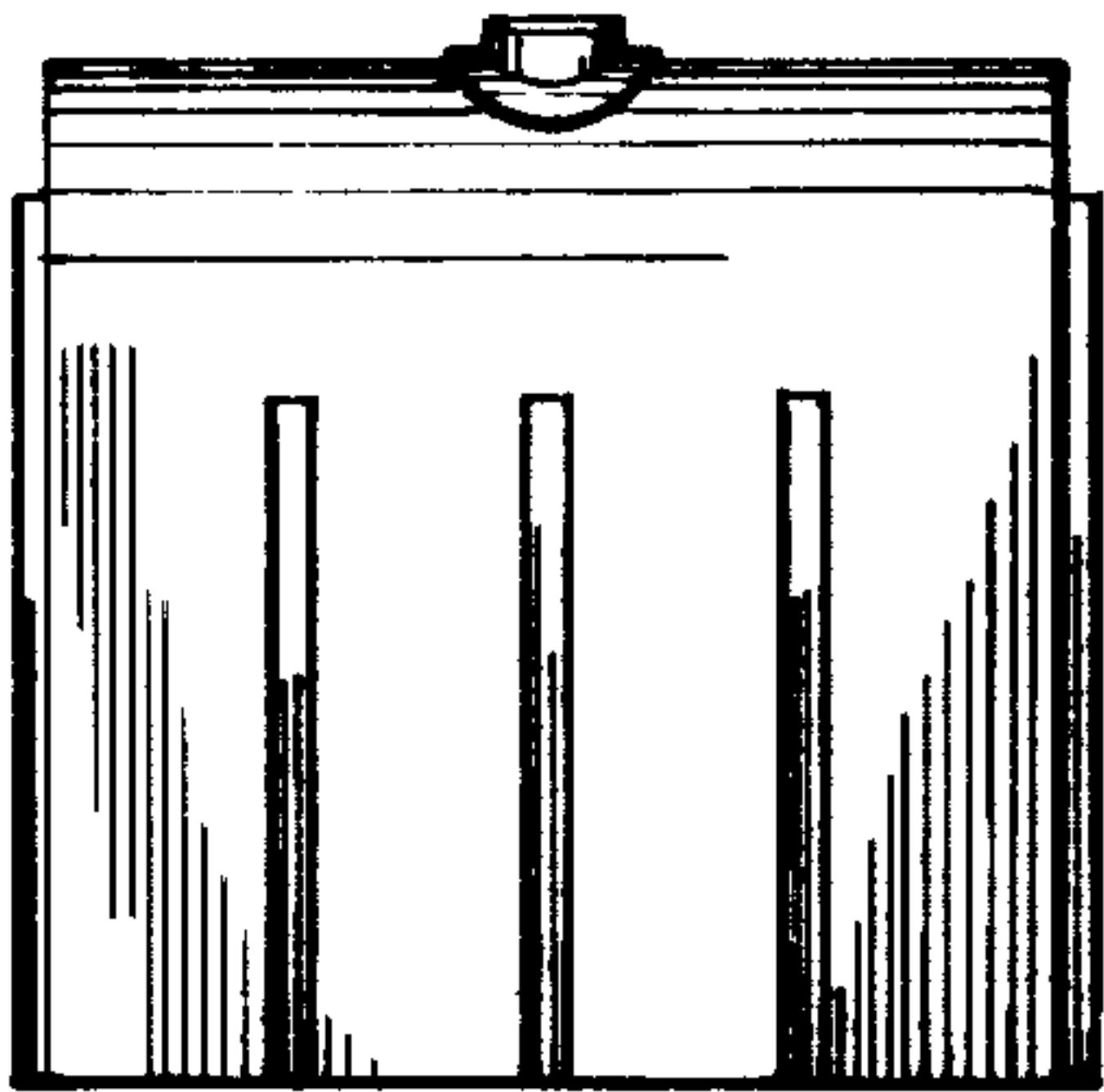


FIG. 10

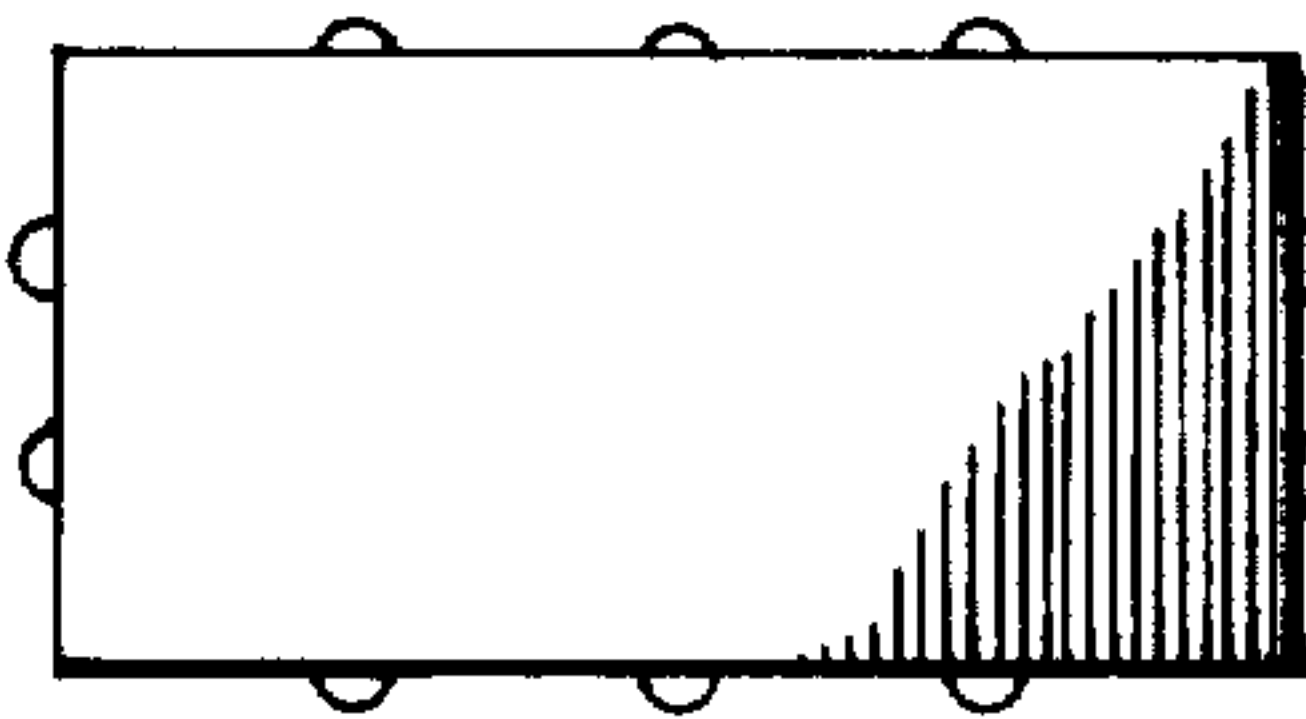
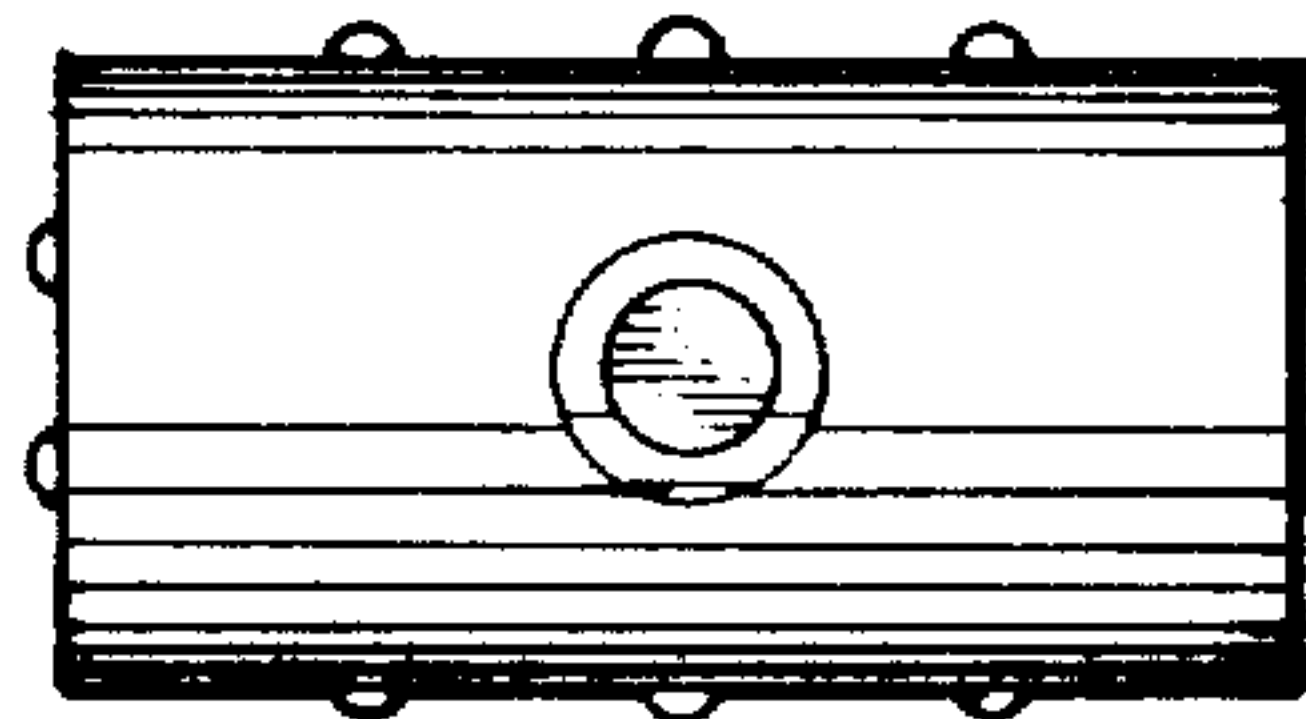


FIG. 11

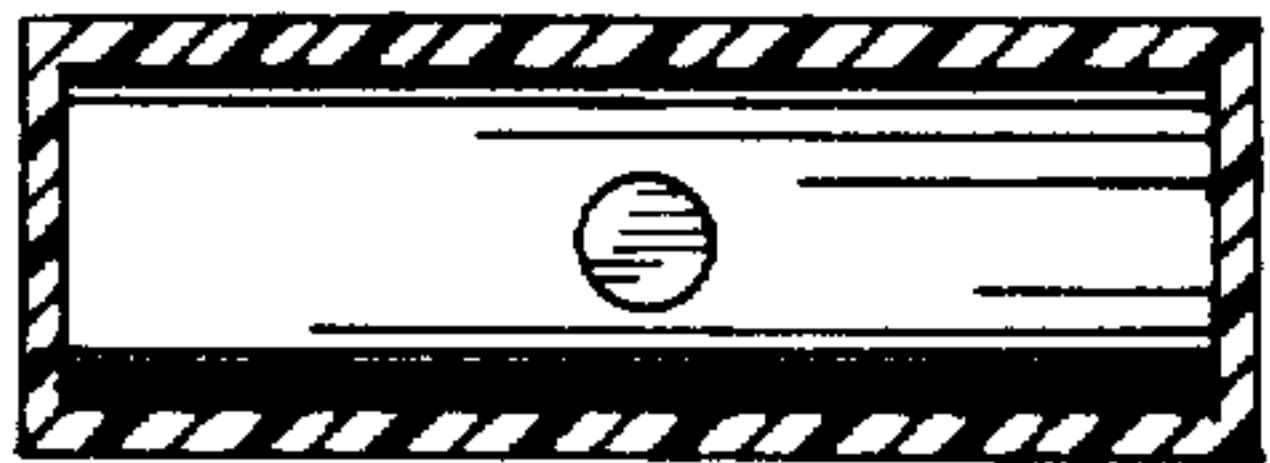


FIG. 12