

- [54] **FOOT LEVER FOR MOTORCYCLES**
- [75] Inventors: **Grover C. Smith, III; Thomas M. Smith**, both of Houston, Tex.
- [73] Assignee: **Interstate Sports, Inc.**, Fulshear, Tex.
- [**] Term: **14 Years**
- [21] Appl. No.: **533,701**
- [22] Filed: **Dec. 17, 1974**
- [51] Int. Cl. **D12-11**
- [52] U.S. Cl. **D12/114**
- [58] Field of Search **D12/114, 125; 280/289, 280/291; 74/594.1, 519; 180/33 R, 33 A, 33 E, 31**

[56] **References Cited**

FOREIGN PATENT DOCUMENTS

475,573	3/1915	France	74/594.1
53,907	8/1946	France	74/594.1

OTHER PUBLICATIONS

Cycle Guide, 4/71, p. 59, foot lever attached to motorcycle at top of page.
 Motorcycle Dealer News, 3/69, p. 50, foot lever attached to Clymer Minarelli engines, center of page.

Yamaha Sport Cycle, Spring 1970, p. 94.
 Motorcycle Digest, 1972, p. 11, foot lever, bottom right side of page.
 Motorcycle Digest, 1972, p. 12, foot lever, top right side of page.
 Motorcycle Digest, 1972, p. 259, foot lever, top right side of page.

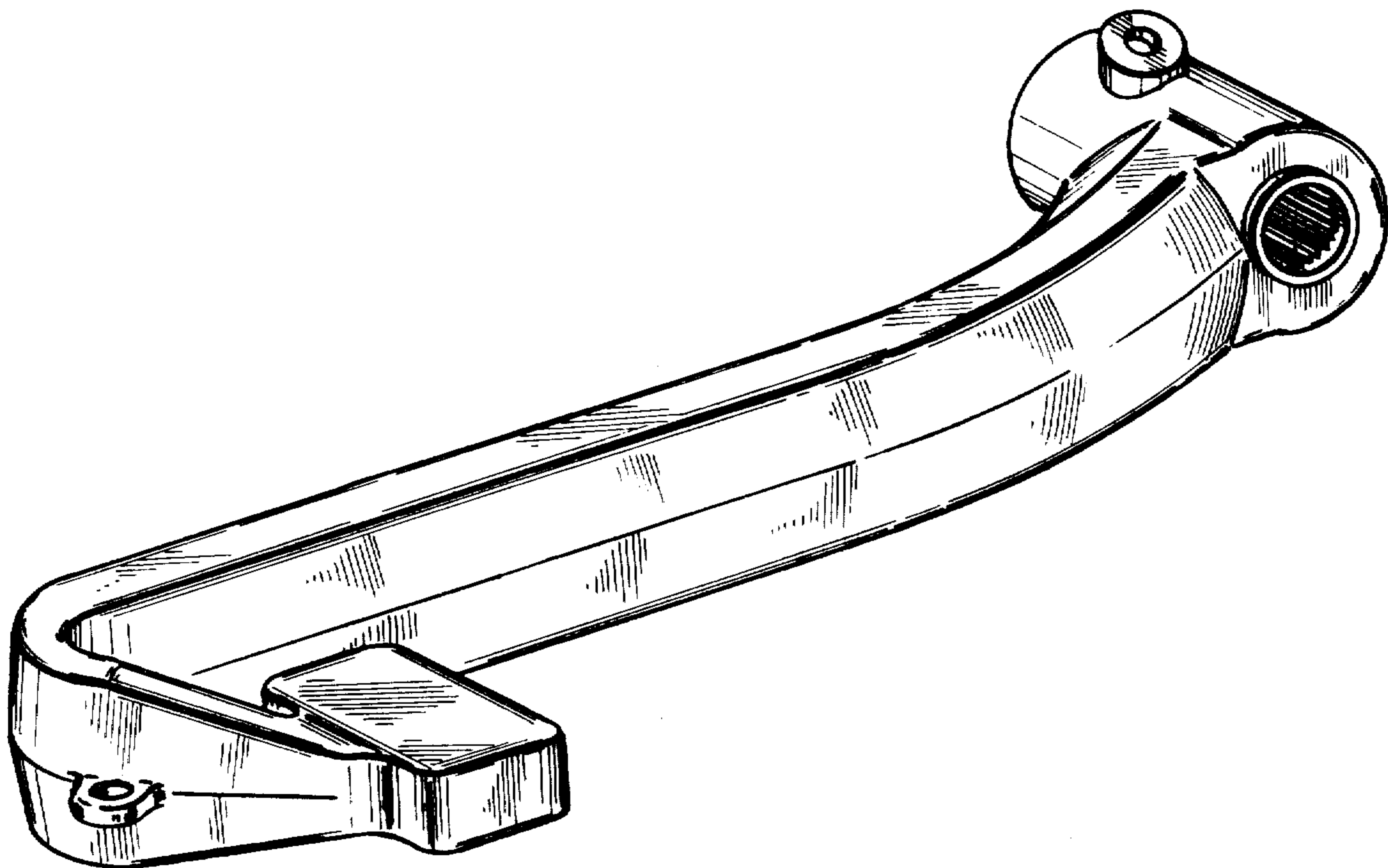
Primary Examiner—Wallace R. Burke
Assistant Examiner—James H. Gandy
Attorney, Agent, or Firm—James L. Jackson

[57] **CLAIM**

The ornamental design for a foot lever for motorcycles, as shown and described.

DESCRIPTION

FIG. 1 is a top front perspective view of a foot lever for motorcycles showing our new design;
 FIG. 2 is a top plan view of FIG. 1, the bottom being substantially a mirror image thereof except that the circular projection shown on the top right end is omitted therefrom;
 FIG. 3 is an end elevational view of FIG. 1; and
 FIG. 4 is a rear elevational view of FIG. 1 on a reduced scale.



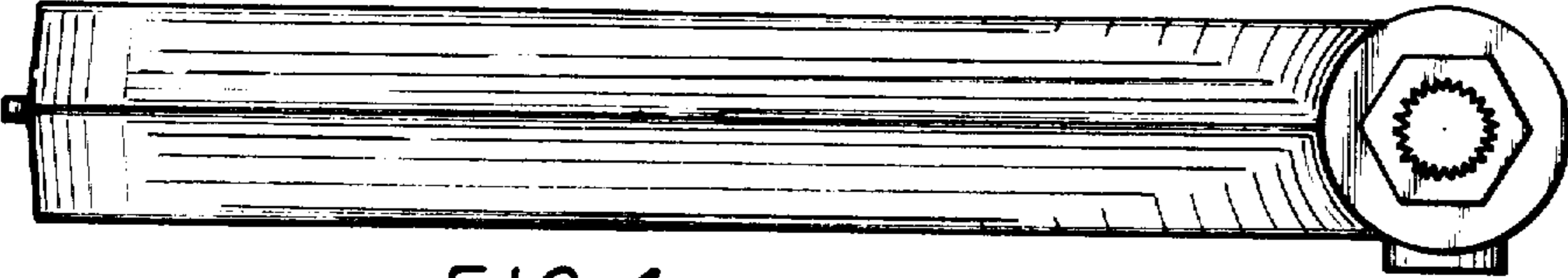


FIG. 4

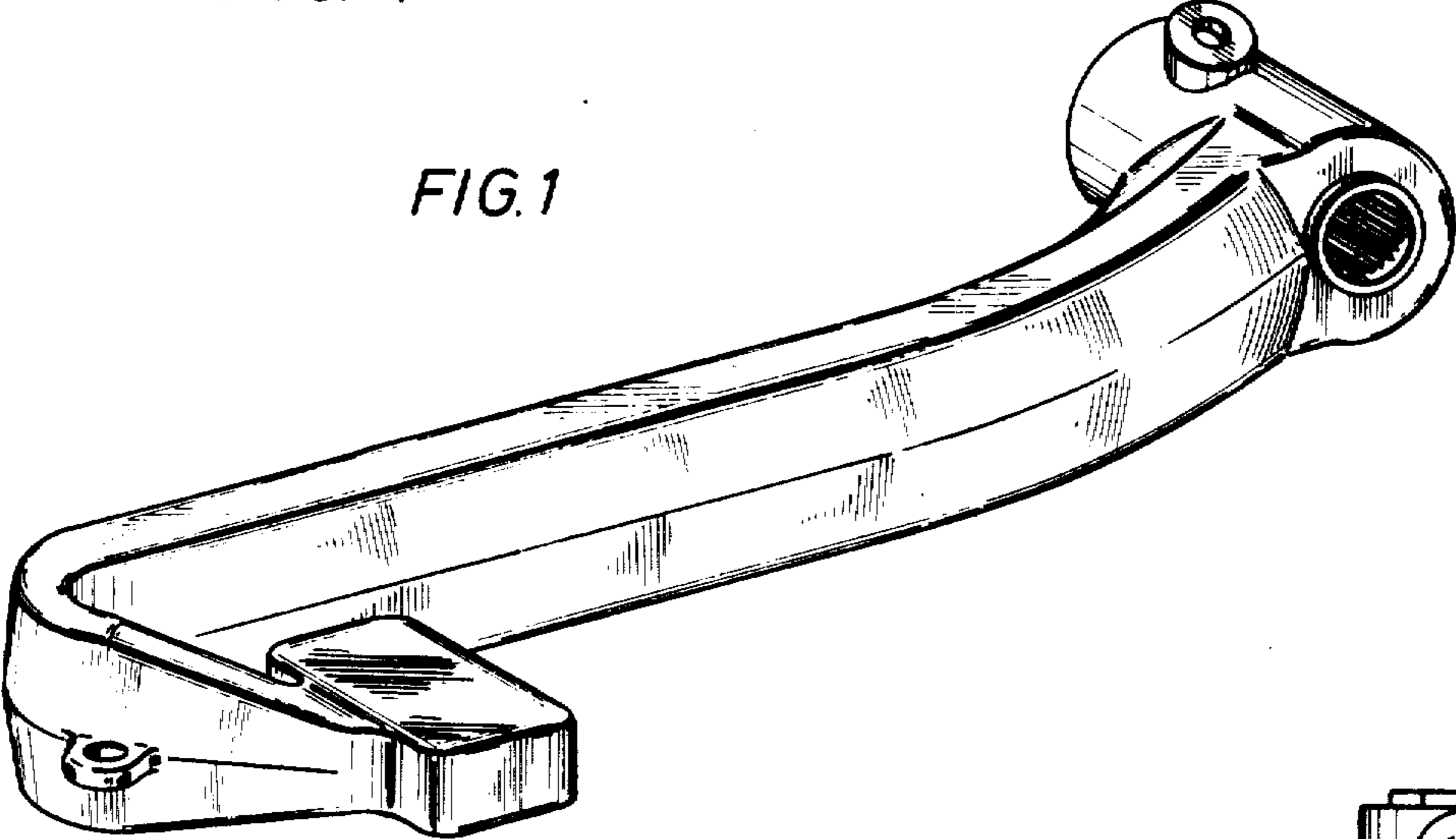


FIG. 1

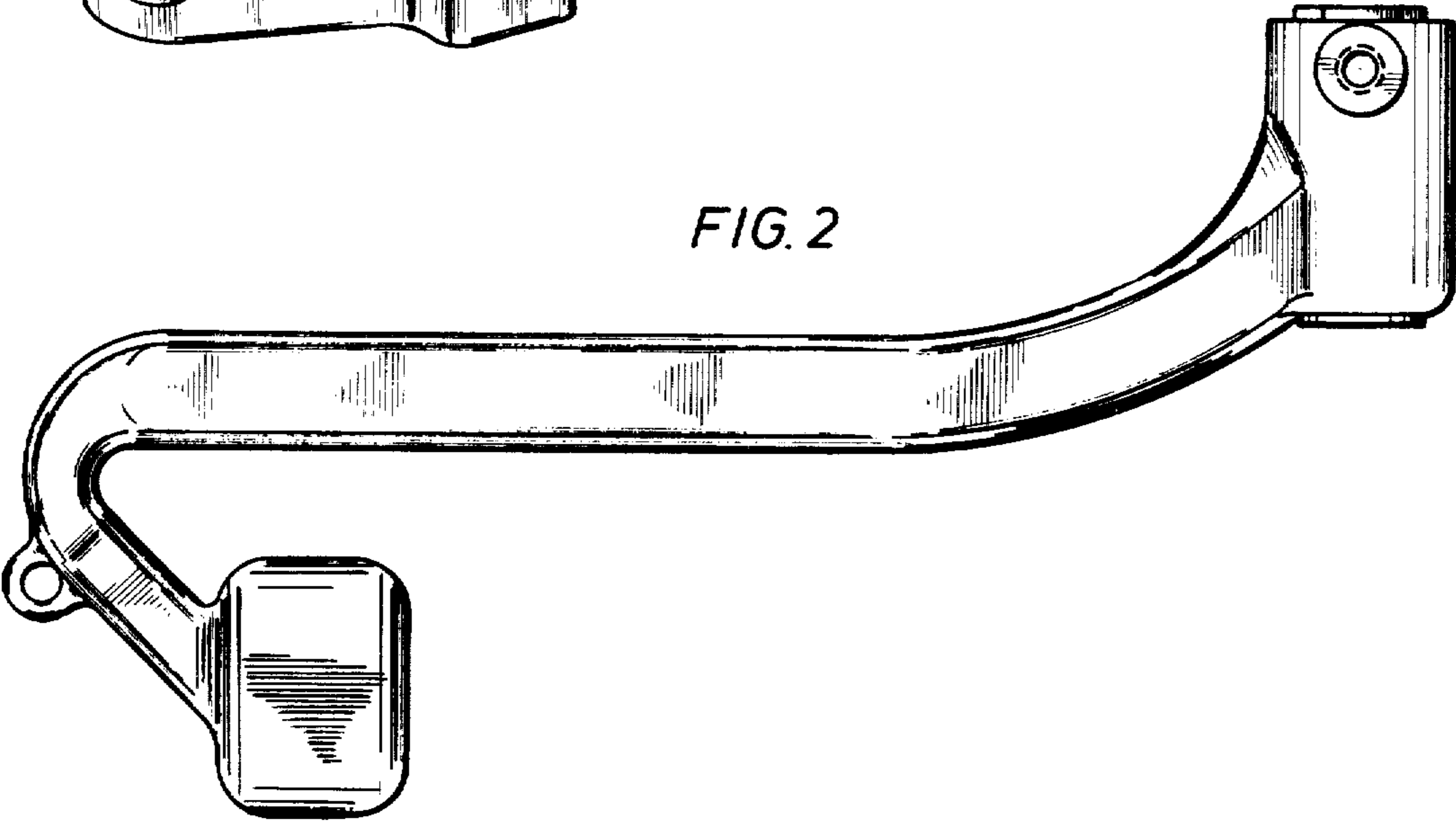


FIG. 2

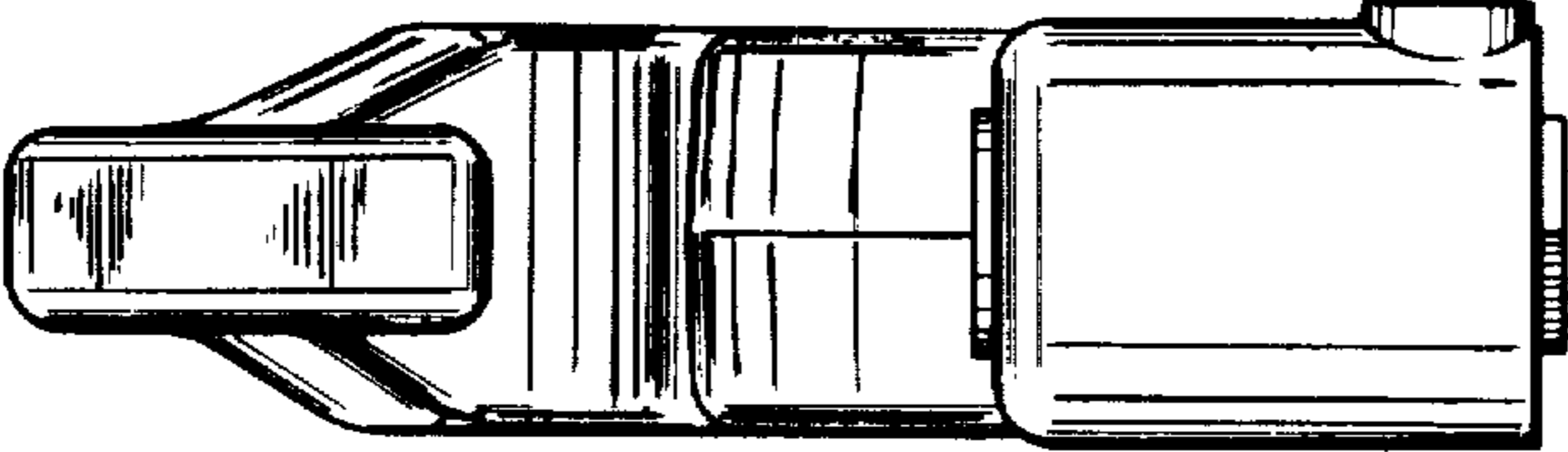


FIG. 3