

[54] HOOK
[76] Inventor: Alexander L. Podd, 306 University Ave., Apt. 21, Fredericton, New Brunswick, Canada

1,230,446	6/1917	Steele	248/341
2,470,878	5/1949	Tate	248/215
2,958,498	11/1960	Richter	248/340
2,998,142	8/1961	Reed	248/215
3,139,260	6/1964	Hamel	248/340
3,912,214	10/1975	Karass	248/340

[**] Term: 14 Years
[21] Appl. No.: 581,585
[22] Filed: May 28, 1975

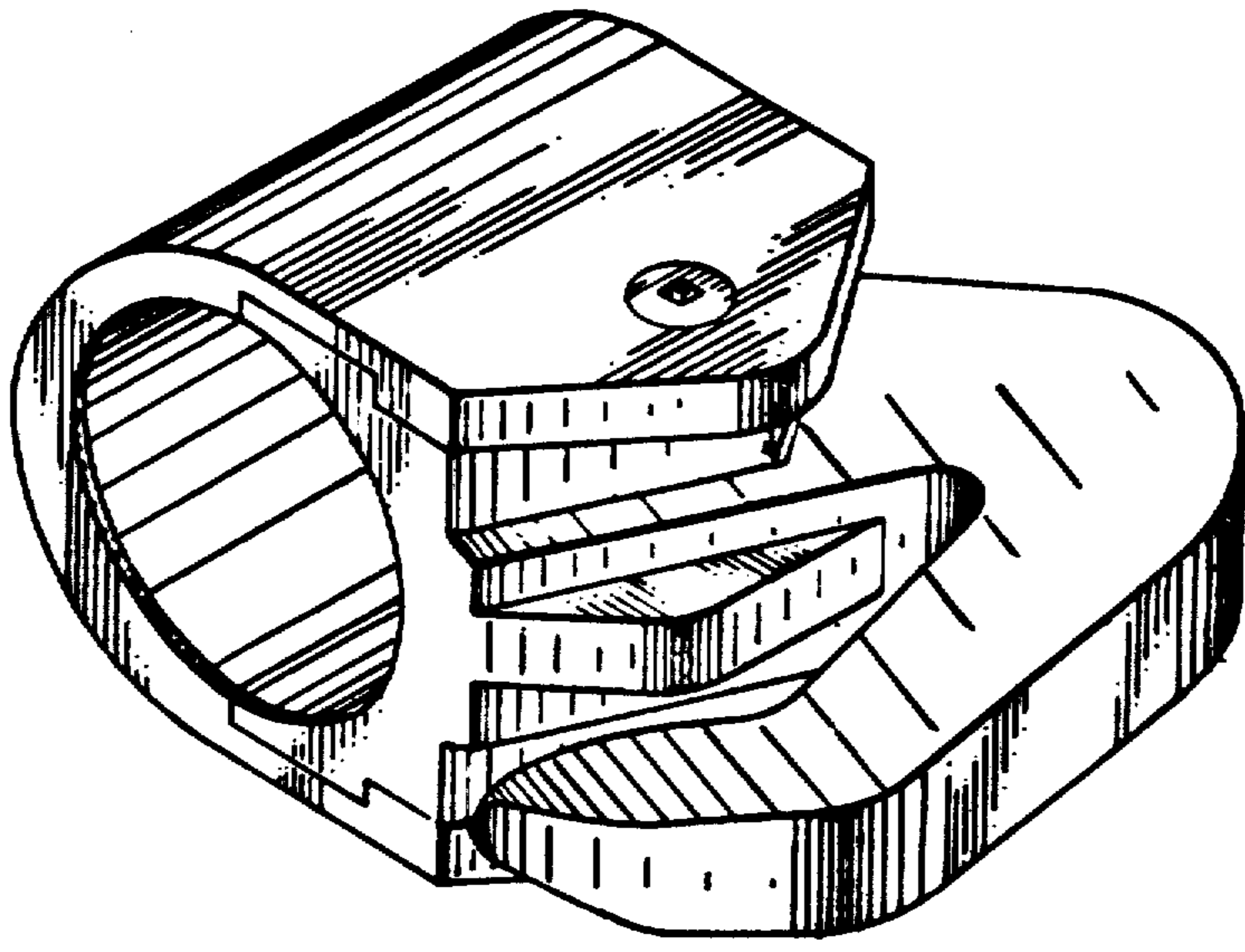
Primary Examiner—James R. Lergen
Attorney, Agent, or Firm—Richard K. Stevens

[51] Int. Cl. D8—08
[52] U.S. Cl. D8/367
[58] Field of Search D8/229, 246, 252;
248/215, 339, 340, 341; 24/230.55 S

[57] CLAIM
The ornamental design for a hook, as shown.

[56] References Cited
U.S. PATENT DOCUMENTS
829,239 8/1906 Thompson et al. 248/215

DESCRIPTION
FIG. 1 is a perspective view of a hook embodying my new design;
FIG. 2 is a side elevational view thereof; and
FIG. 3 is a front elevational view thereof.



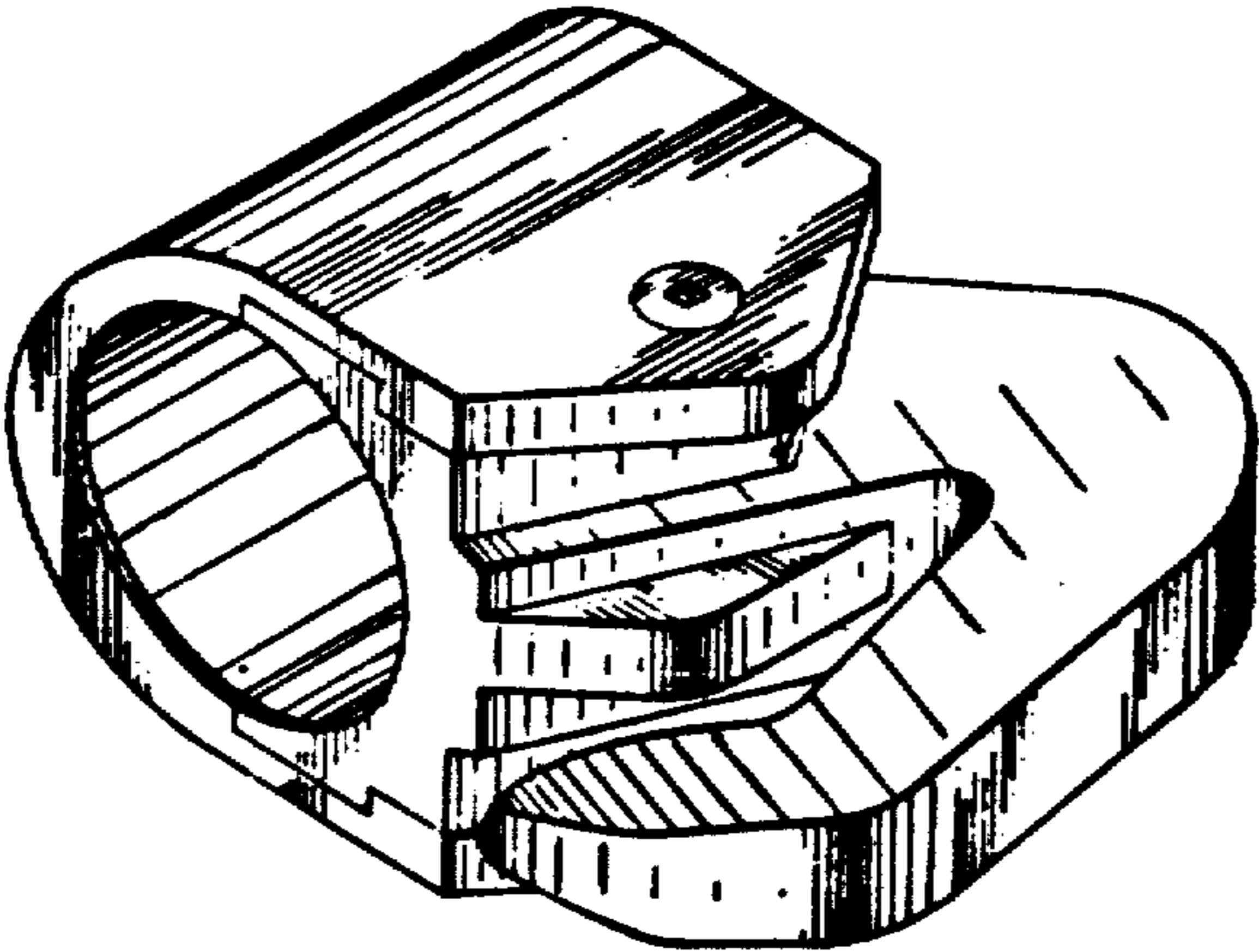


FIG. 1

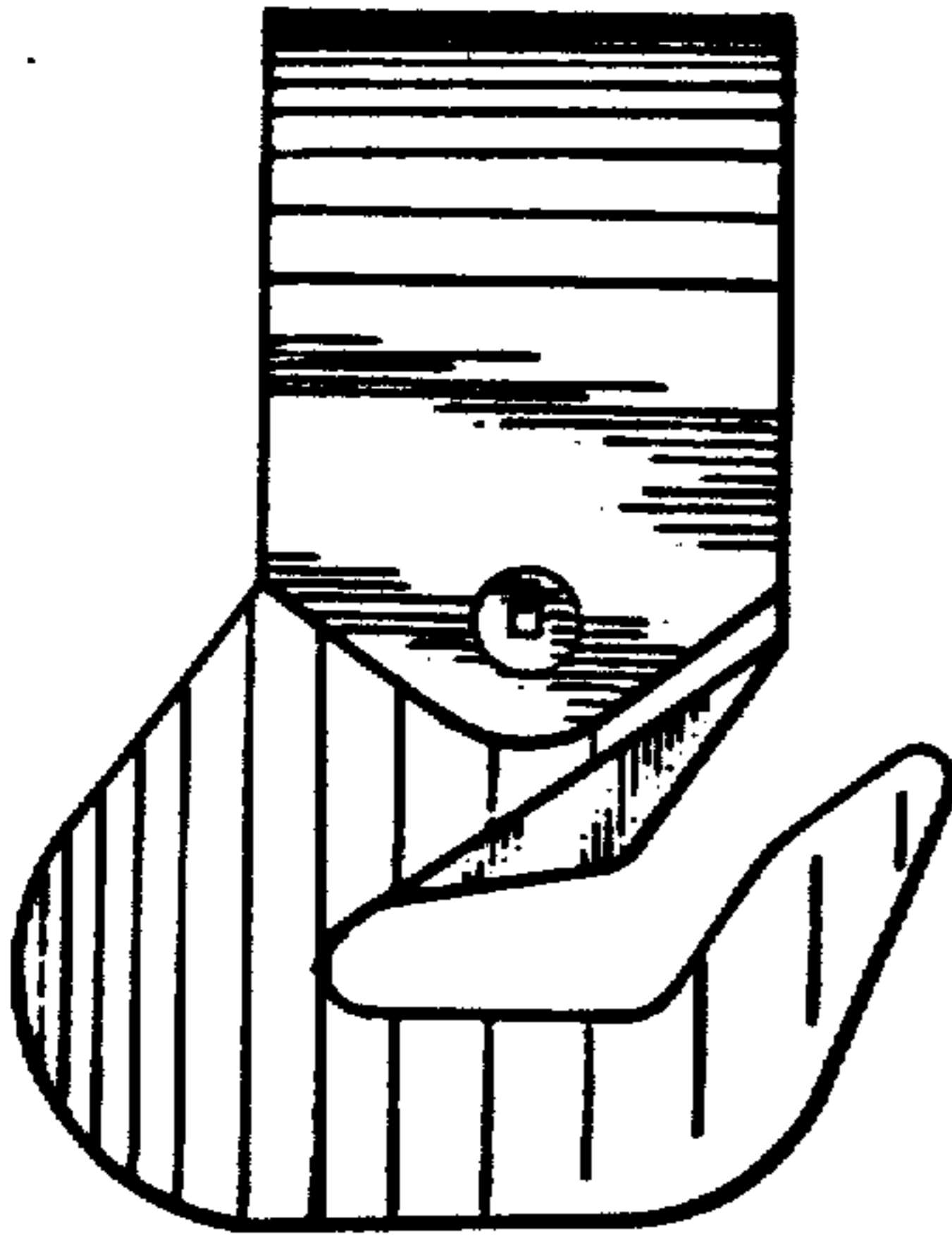


FIG 2

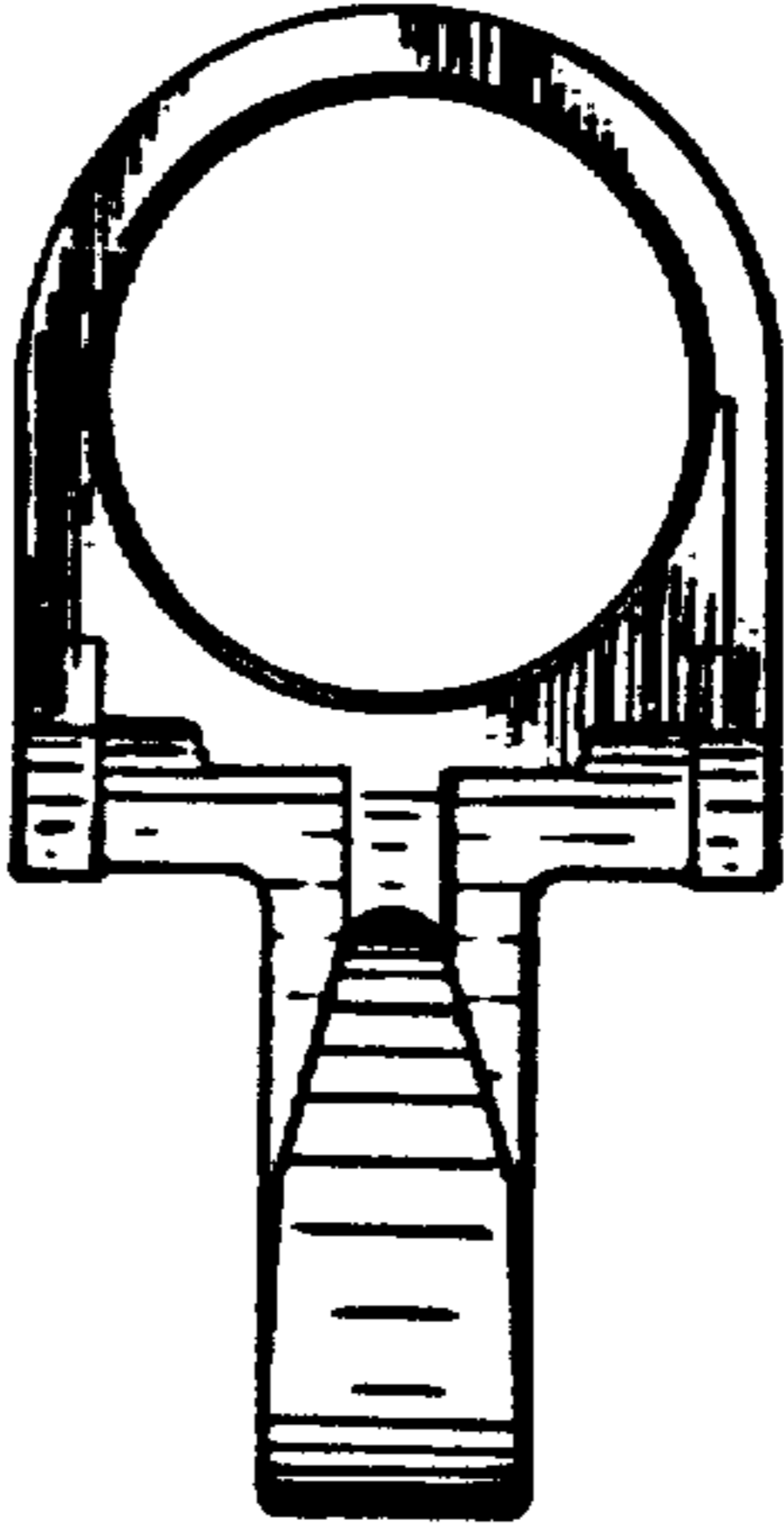


FIG 3