

[54] **RAKE FOR SPREADING INSULATION IN BUILDING STRUCTURES**

[76] Inventor: **Ray E. Batley**, 7325 Old Mill Road, Birmingham, Mich. 48010

[**] Term: **14 Years**

[21] Appl. No.: **593,364**

[22] Filed: **July 7, 1975**

[51] Int. Cl. **D8-05**

[52] U.S. Cl. **D8/16**

[58] Field of Search D8/13, 14, 16, 19; 56/400.1

2,891,374	6/1959	Richmond	D8/13
D. 133,489	8/1918	Wurster	D8/6
D. 209,660	12/1967	Lind	D8/13 X
D. 220,420	4/1971	Rothwell	D8/13
D. 237,245	10/1975	Smyth	D8/6

Primary Examiner—Wallace R. Burke
Assistant Examiner—Larry Jones
Attorney, Agent, or Firm—Philip J. Rosewarne

[57] **CLAIM**

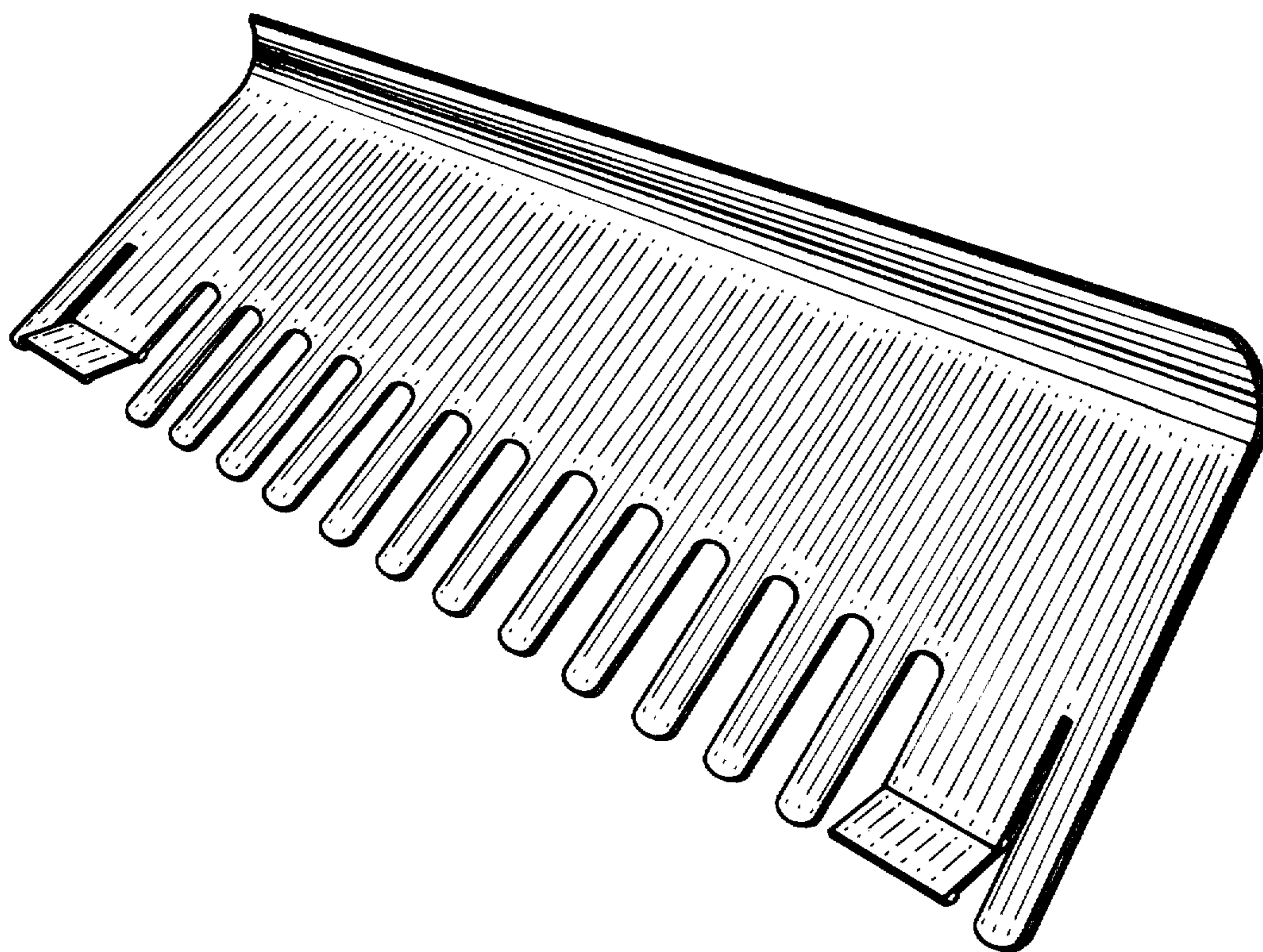
The ornamental design for insulation rake, substantially as shown.

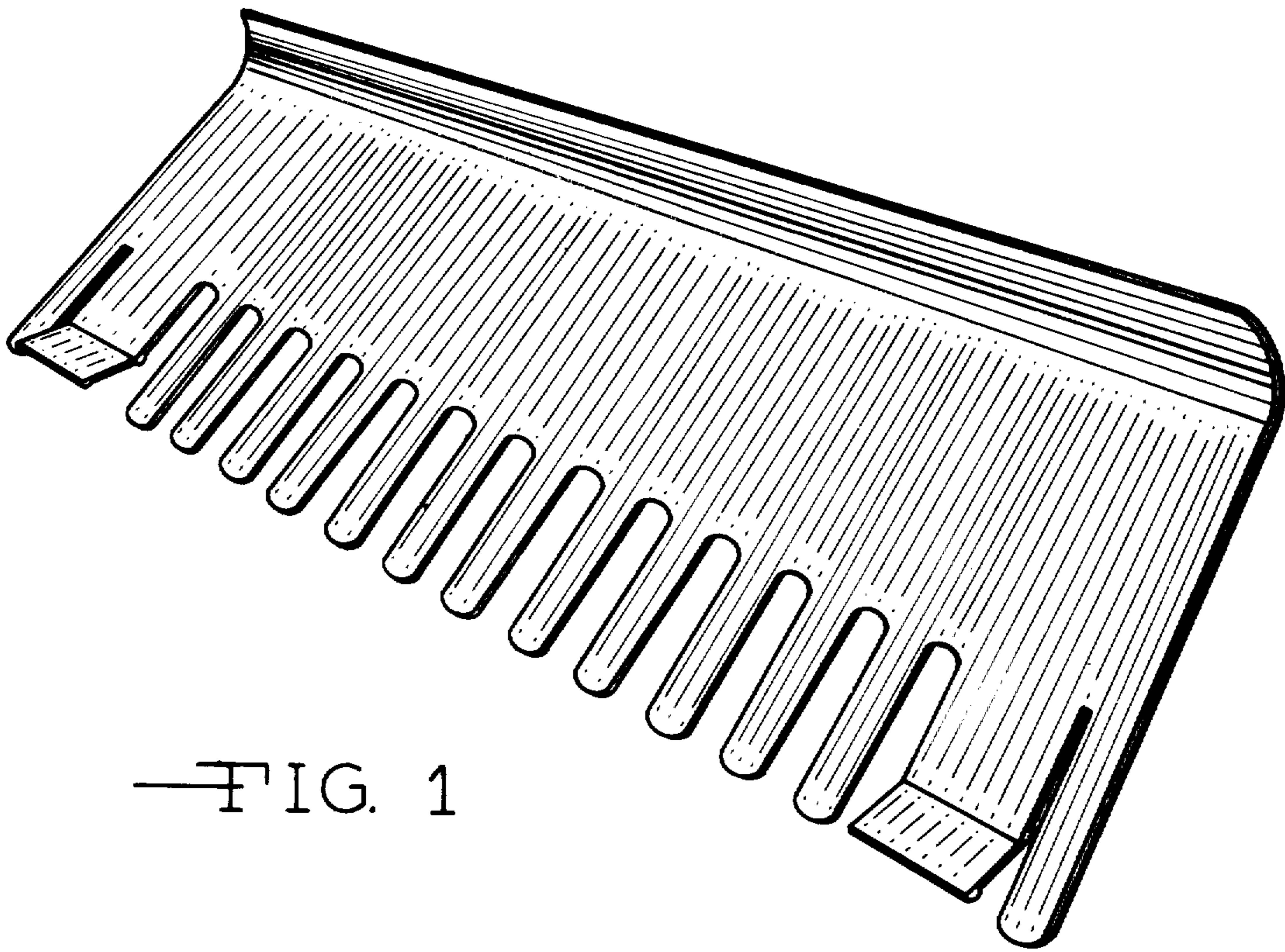
DESCRIPTION

FIG. 1 is a pictorial perspective of insulation rake embodying my invention;
FIG. 2 is a front elevational view thereof;
FIG. 3 is a top view thereof;
FIG. 4 is a rear elevational view thereof;
FIG. 5 is a top plan view thereof; and
FIG. 6 is a side elevational view thereof.

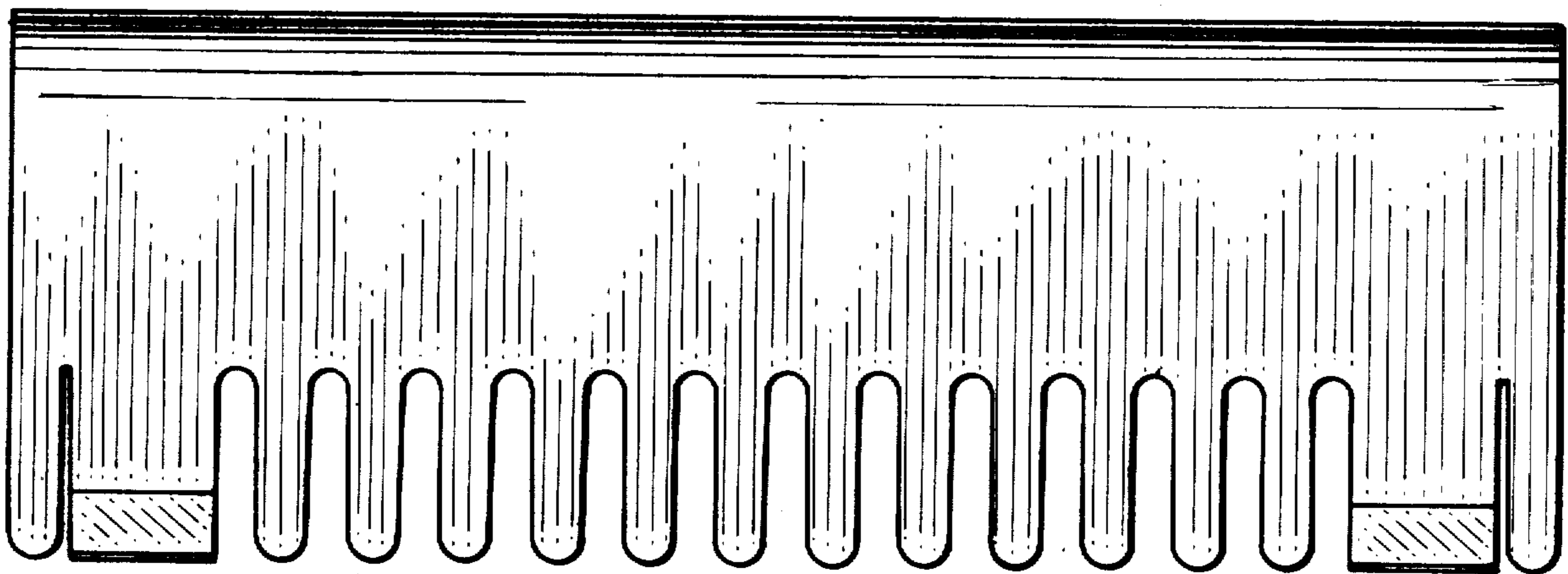
[56] **References Cited**
U.S. PATENT DOCUMENTS

1,136,770	4/1915	Brewer	56/400.1
1,336,861	4/1920	Roberts	56/400.1 X
2,726,504	12/1955	Paluska	172/375 X
2,787,882	4/1957	Huley	D8/13
2,795,923	6/1957	Kapuczin	D8/13

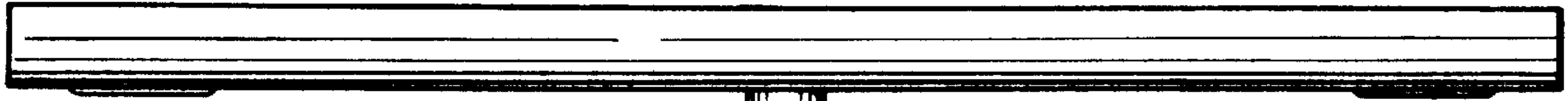




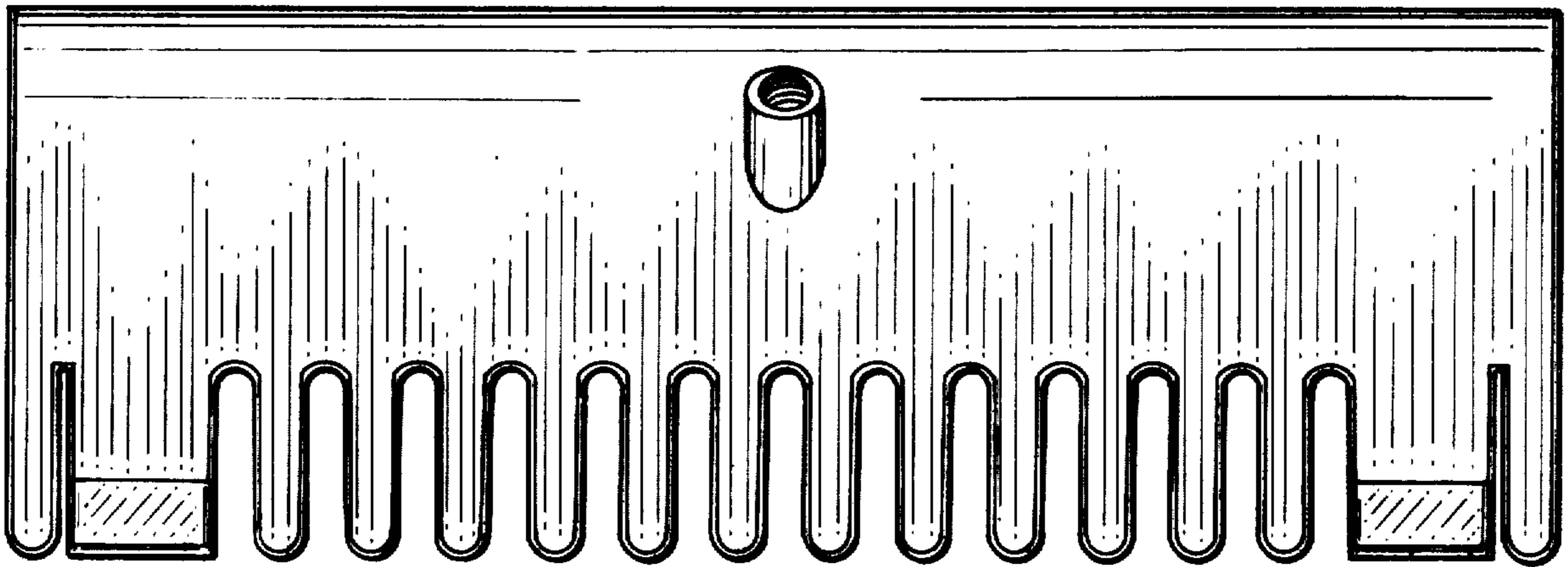
—FIG. 1



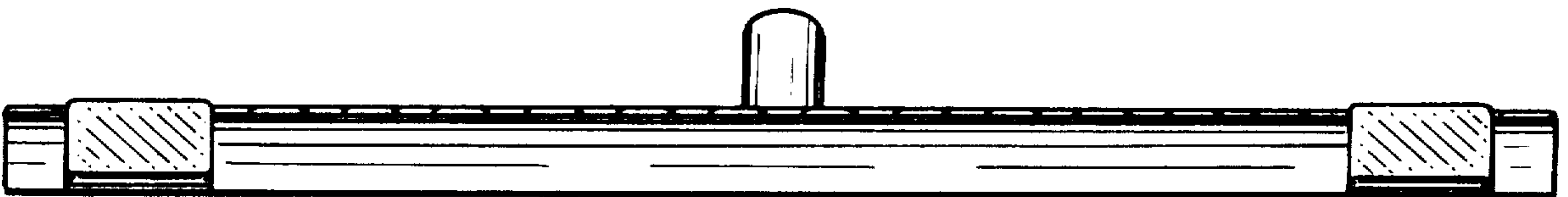
—FIG. 2



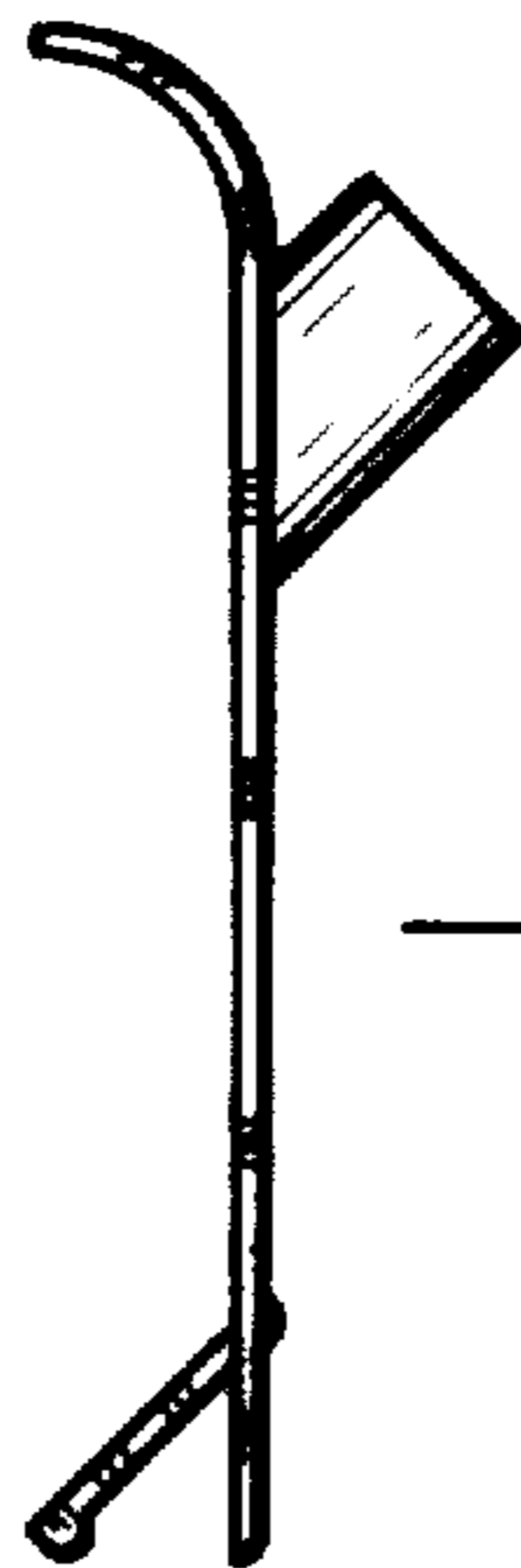
—FIG. 3



—FIG. 4



—FIG. 5



—FIG. 6