

[54] **FRAME FOR A SEAT**

[76] Inventor: **William R. Watts**, Rte. No. 1, P.O. Box 320-1, Millsboro, Del.

[\*\*] Term: **14 Years**

[21] Appl. No.: **608,027**

[22] Filed: **Aug. 27, 1975**

[51] Int. Cl. .... **D6-06**

[52] U.S. Cl. .... **D6/191**

[58] Field of Search ..... **D6/47-78, D6/191, 194**

[56] **References Cited**

**U.S. PATENT DOCUMENTS**

2,979,122 4/1961 Knoll ..... D6/61 X  
D. 211,869 8/1968 Doner ..... D6/191 X

D. 229,591 12/1973 Trail et al. .... D6/60

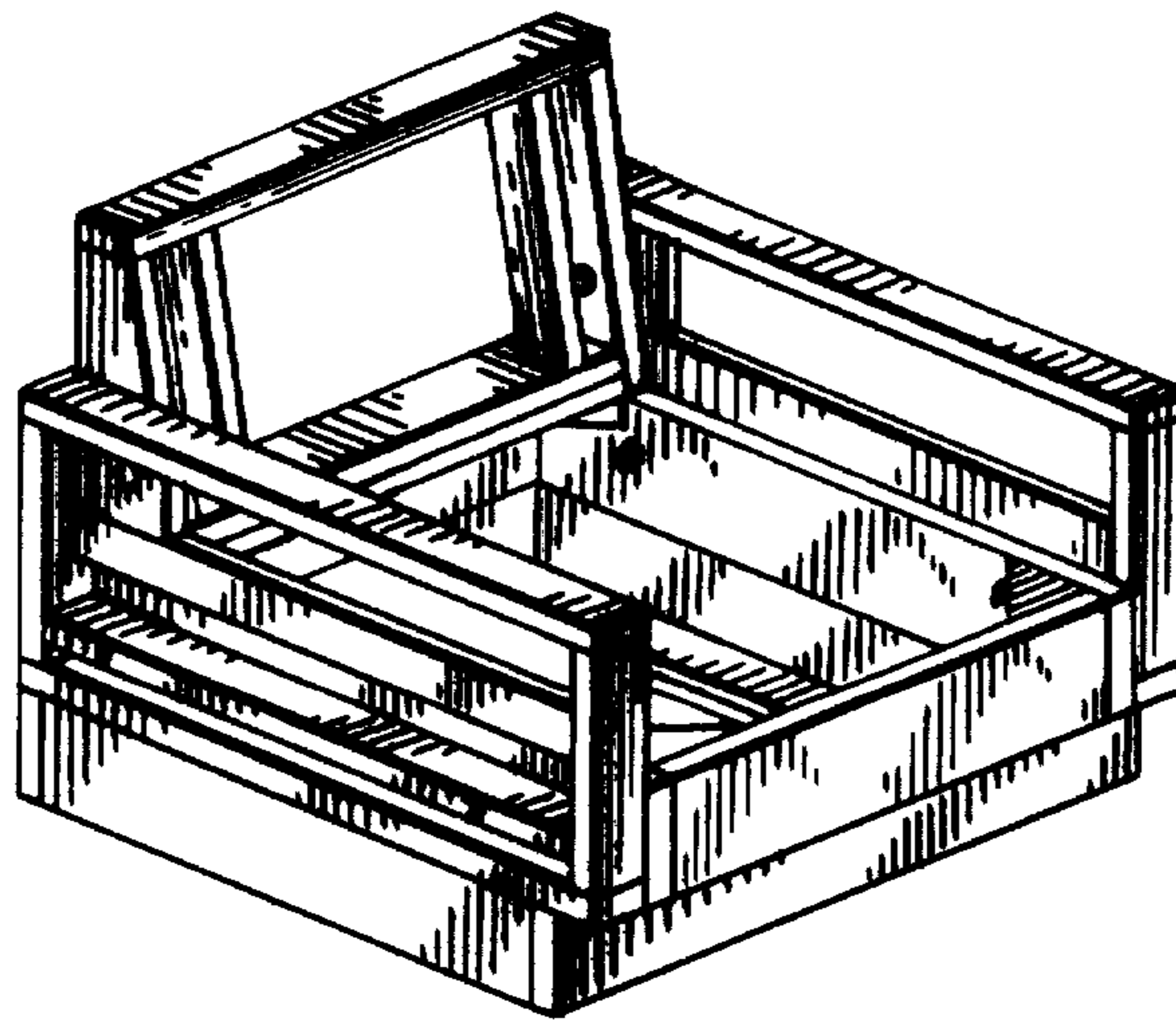
*Primary Examiner*—Bruce W. Dunkins  
*Attorney, Agent, or Firm*—E. Leigh Hunt

[57] **CLAIM**

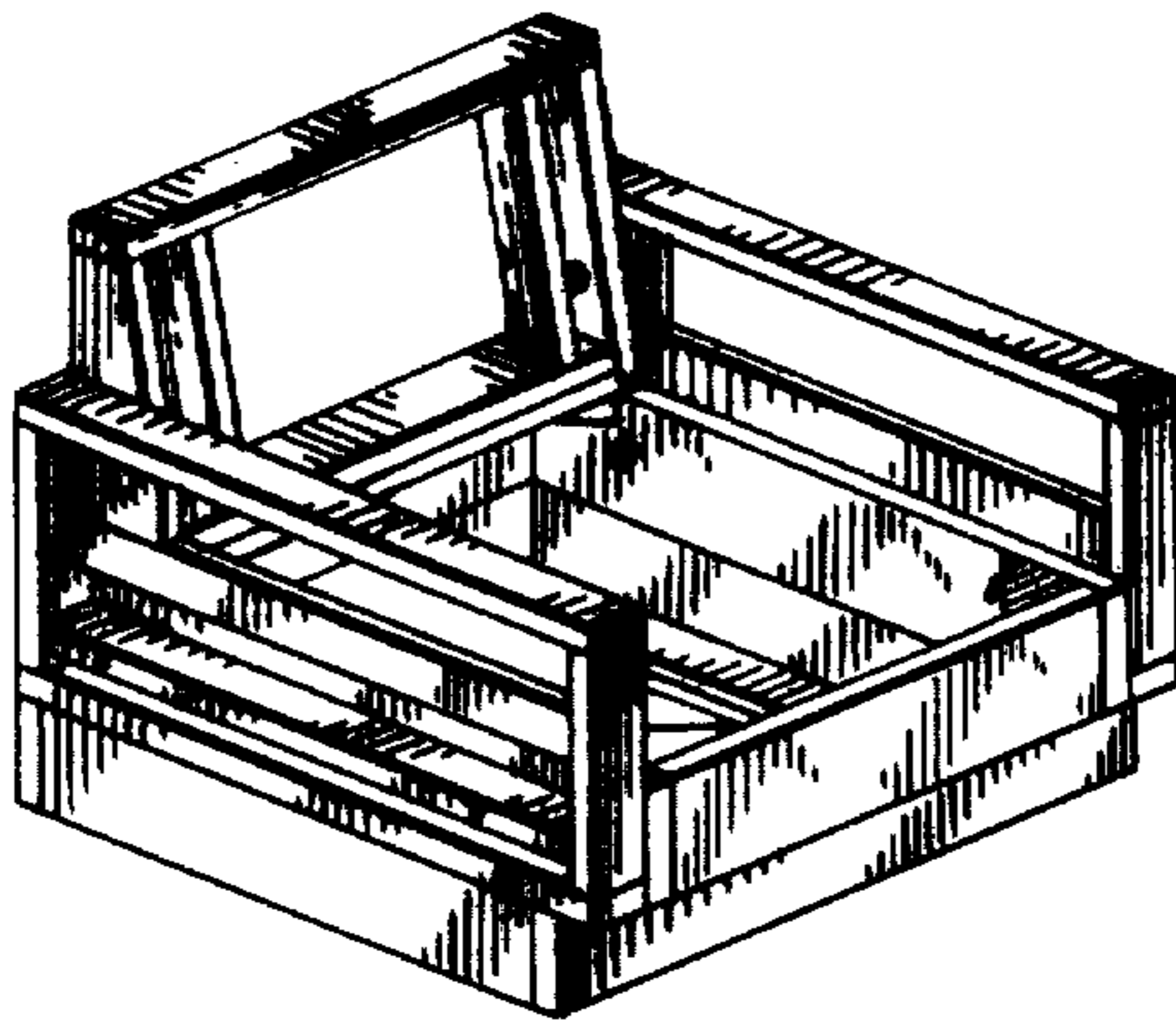
The ornamental design for a frame for a seat, substantially as shown.

**DESCRIPTION**

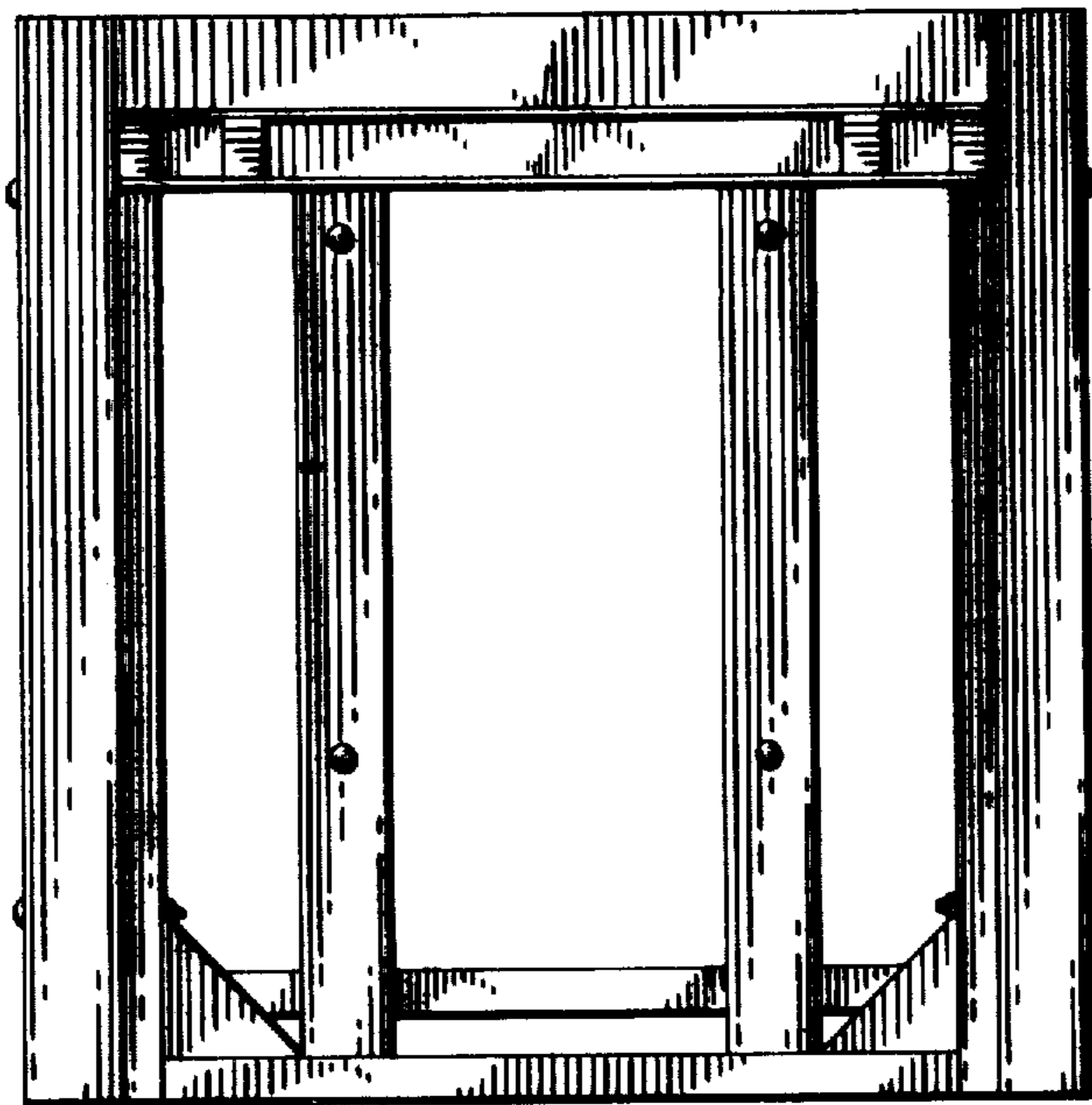
FIG. 1 is a front perspective view of my design shown in the form of a frame for a chair;  
FIG. 2 is a top plan view;  
FIG. 3 is a front elevational view;  
FIG. 4 is a bottom plan view;  
FIG. 5 is a side view taken from the right in FIG. 1; and  
FIG. 6 is a front elevational view of the design disclosed in FIG. 1 but shown in the form of a frame for a settee.



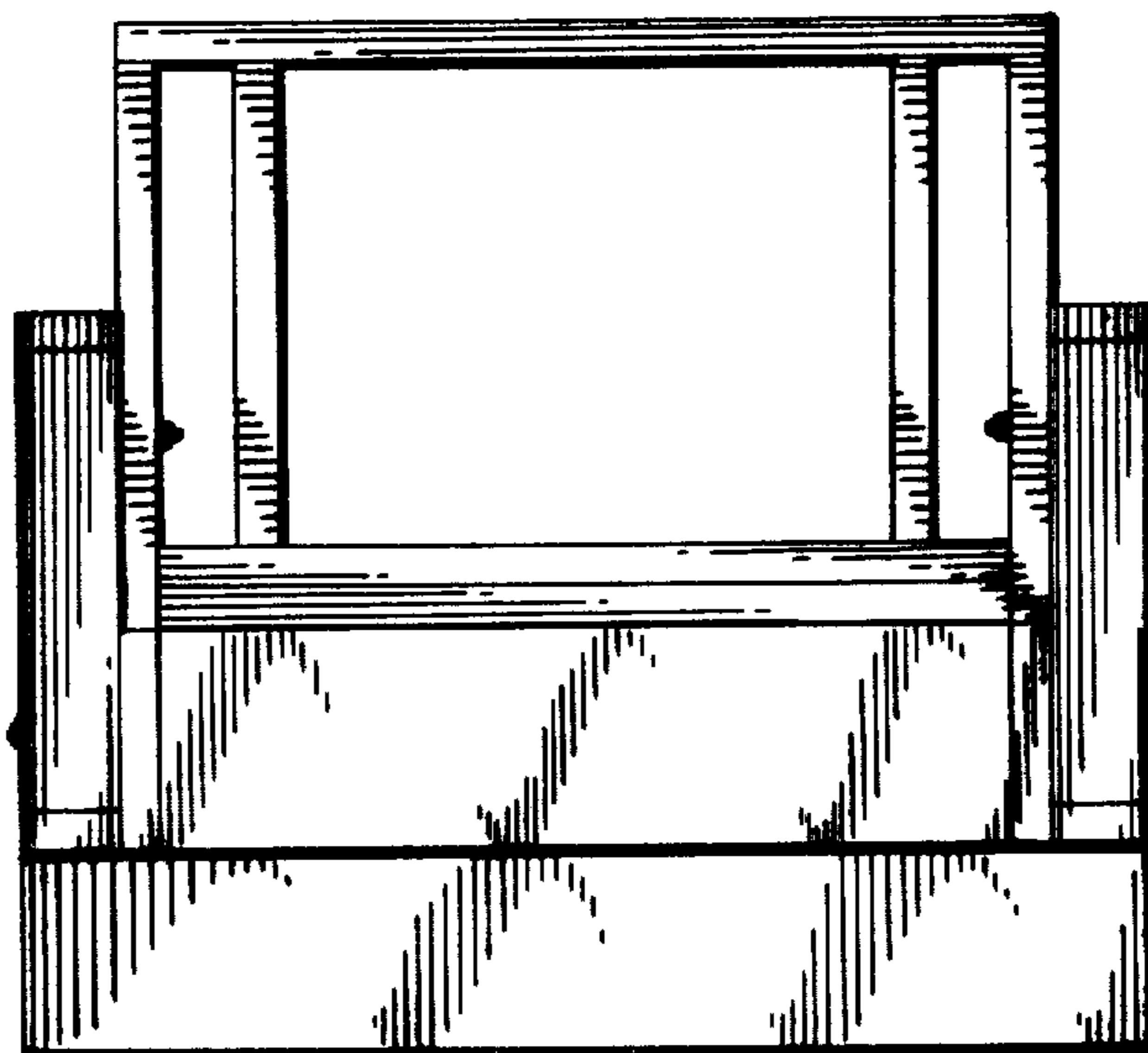
*Fig. 1.*



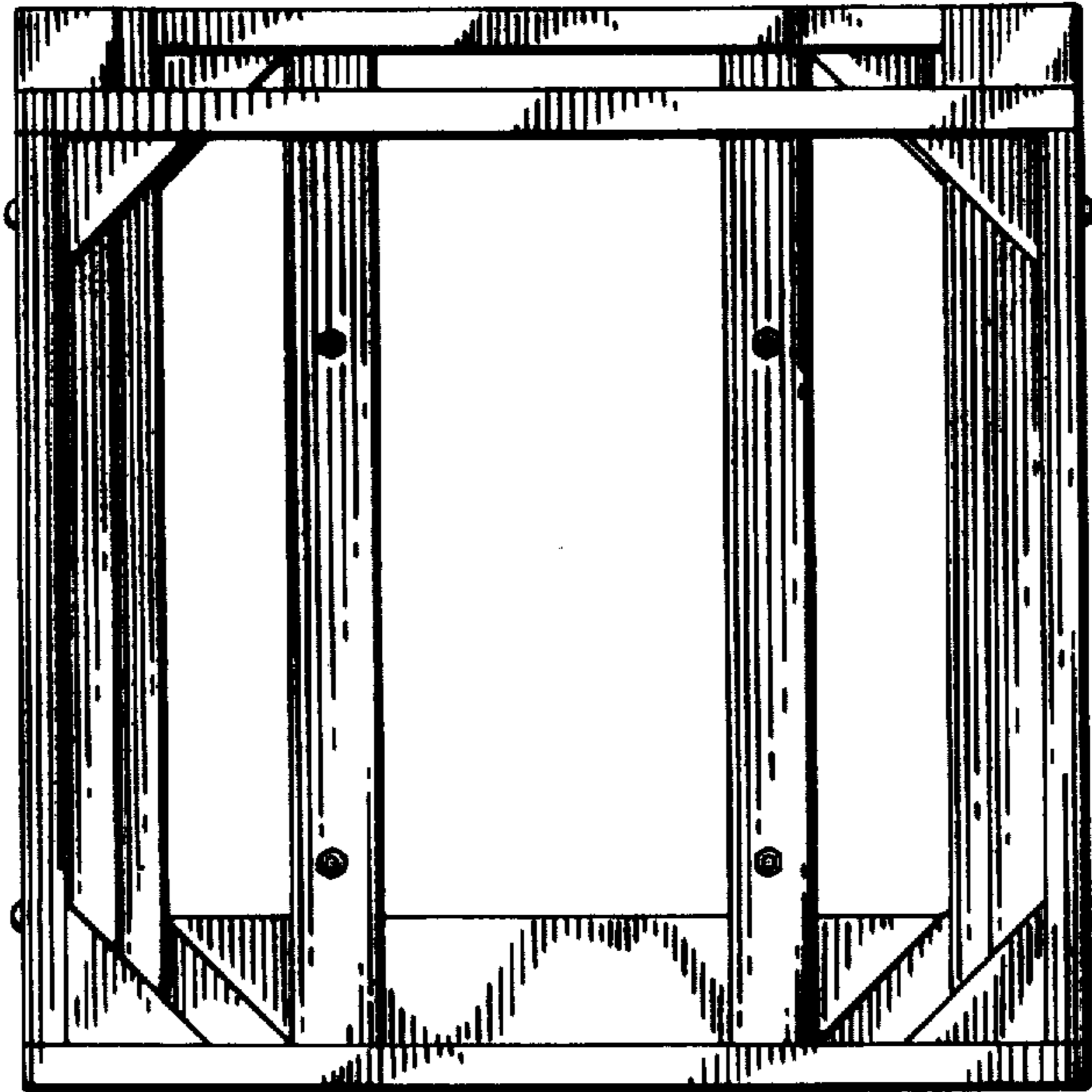
*Fig. 2.*



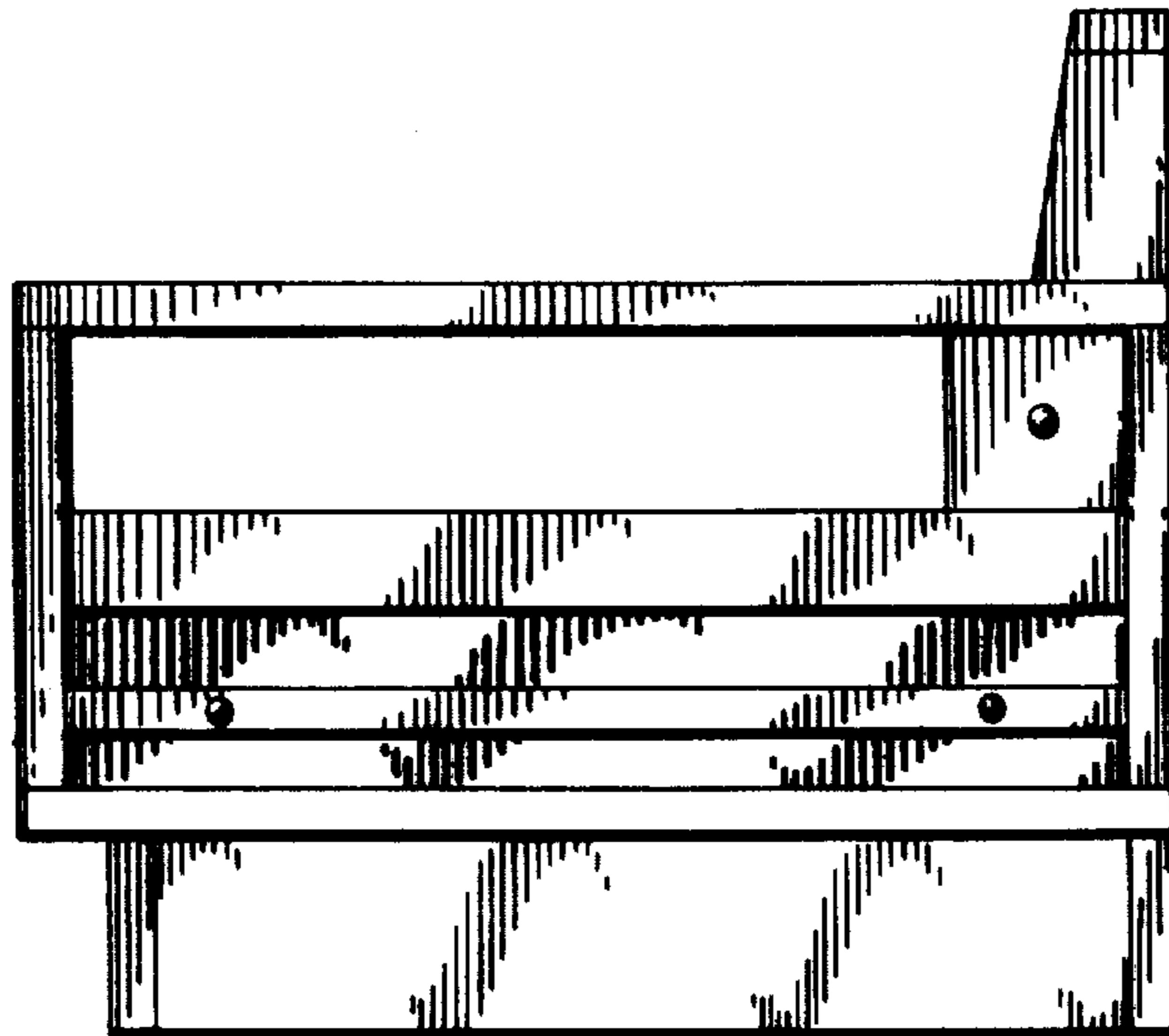
*Fig. 3.*



*Fig. 4.*



*Fig. 5.*



*Fig. 6.*

