

[54] HAND HELD ELECTRIC HAIR DRYER

[75] Inventor: Martin J. Wolff, West Haven, Conn.

[73] Assignee: Sperry Rand Corporation, Bridgeport, Conn.

[\*\*] Term: 14 Years

[21] Appl. No.: 583,609

[22] Filed: June 4, 1975

[51] Int. Cl. .... D28-03

[52] U.S. Cl. .... D28/13

[58] Field of Search ..... D86/10 A, 10 F; 132/7, 132/9; 34/96-101

[56] References Cited

U.S. PATENT DOCUMENTS

D 232,128 7/1974 Rizzuto ..... D86/10 F

OTHER PUBLICATIONS

Home Furnishings Daily, July 15, 1974, Sec. 1, p. 44, Pro Max Dryer, top left.

Merchandising Week, 3/23/70, p. 13, Hitachi Hair Dryer at bottom.

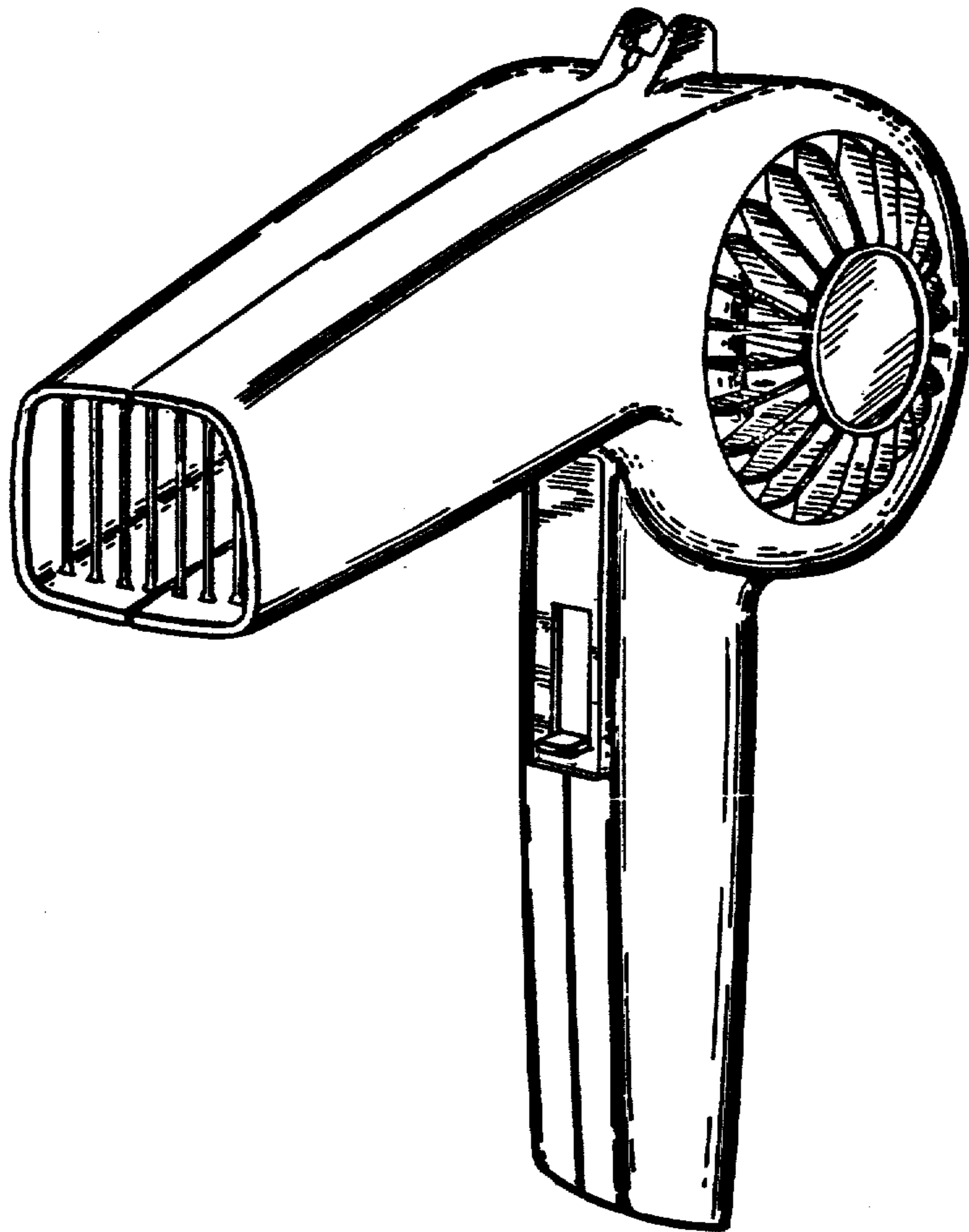
Primary Examiner—Joel Stearman  
Assistant Examiner—Louis S. Zarfes  
Attorney, Agent, or Firm—Charles R. Miranda

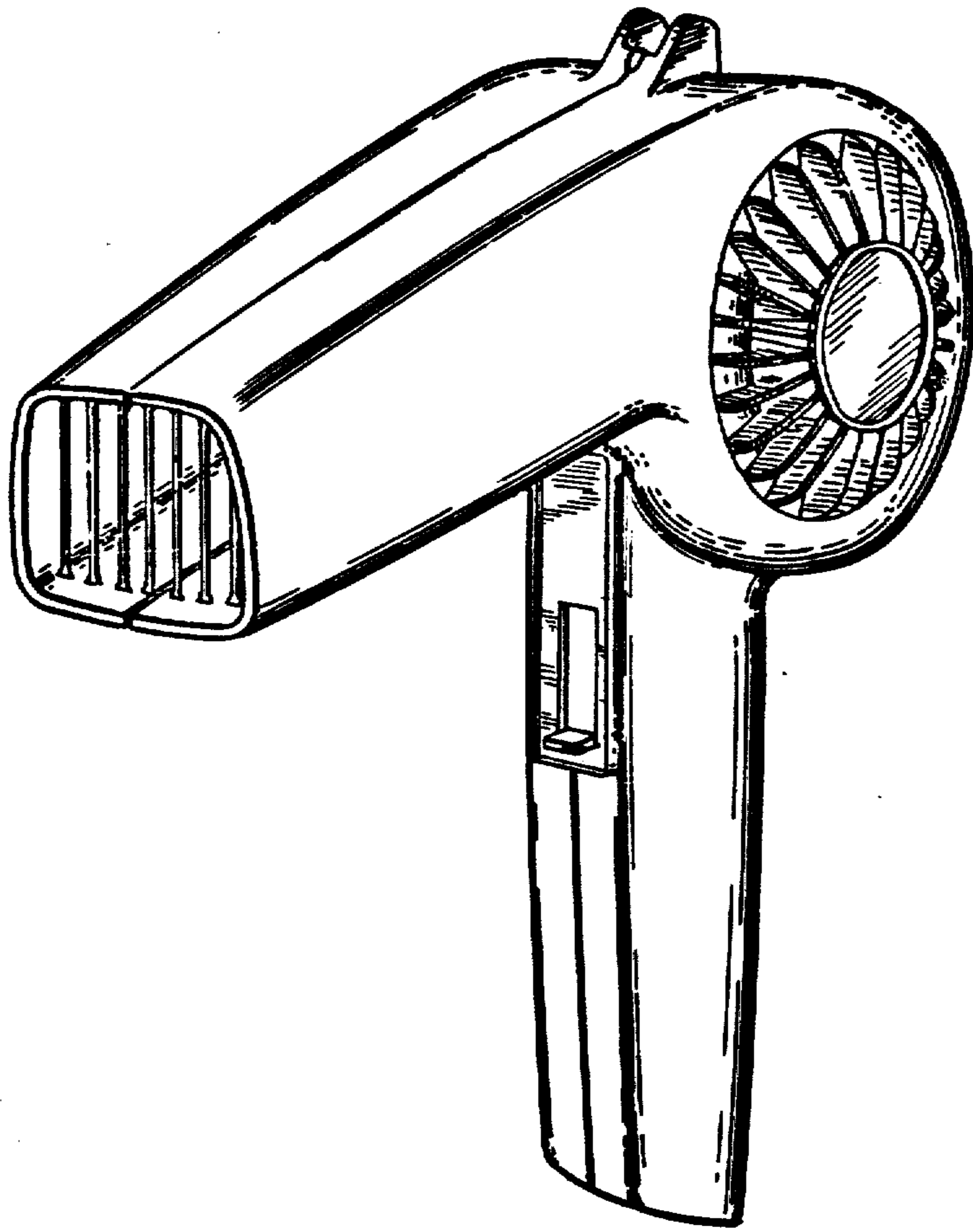
[57] CLAIM

The ornamental design for a hand-held electric hair dryer, substantially as shown and described.

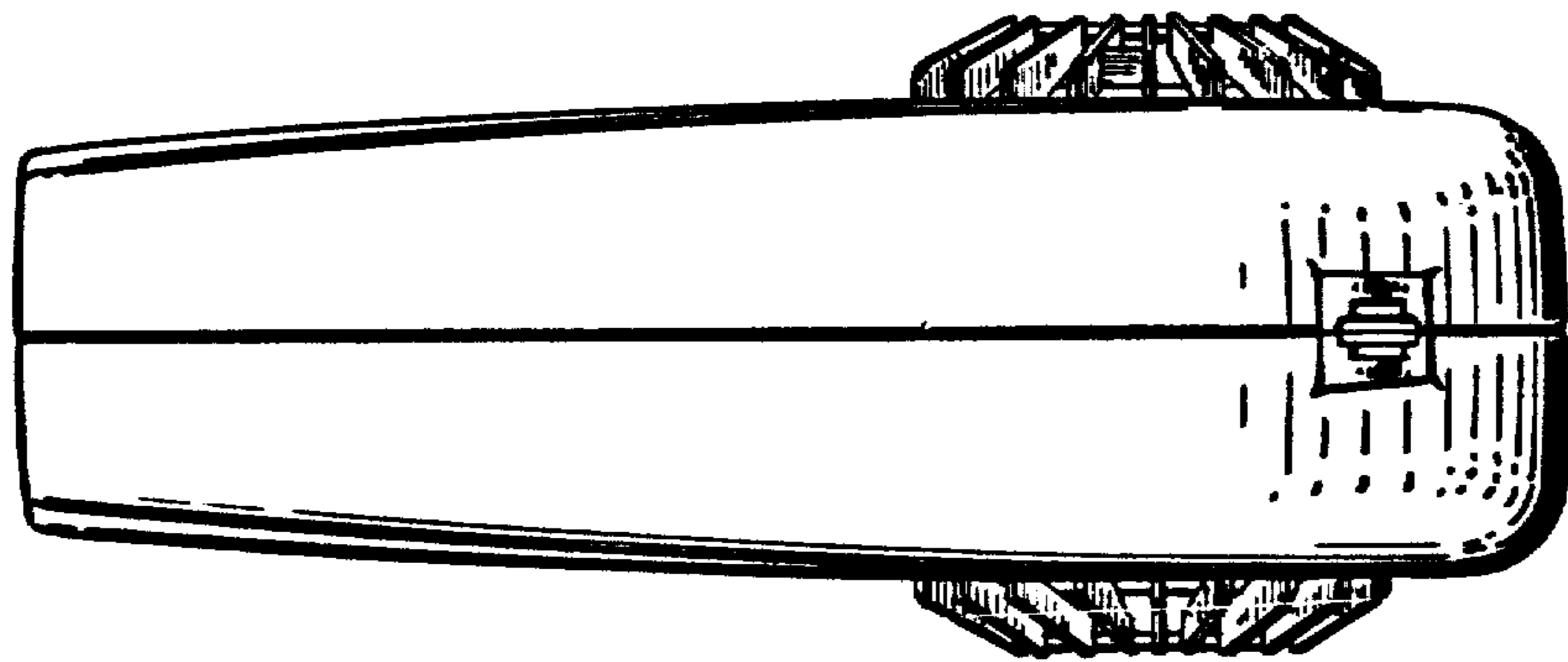
DESCRIPTION

FIG. 1 is a perspective view of the front and right side of a hand-held electric dryer showing my new design; FIG. 2 is a top plan view of the dryer of FIG. 1; FIG. 3 is a bottom plan view of the dryer of FIG. 1; FIG. 4 is an elevational view of the front of the dryer of FIG. 1; FIG. 5 is an elevational view of the right side of the dryer of FIG. 1; FIG. 6 is an elevational view of the rear of the dryer of FIG. 1; and FIG. 7 is an elevational view of the left side of the dryer of FIG. 1. The cord is shown only partially for convenience of illustration.



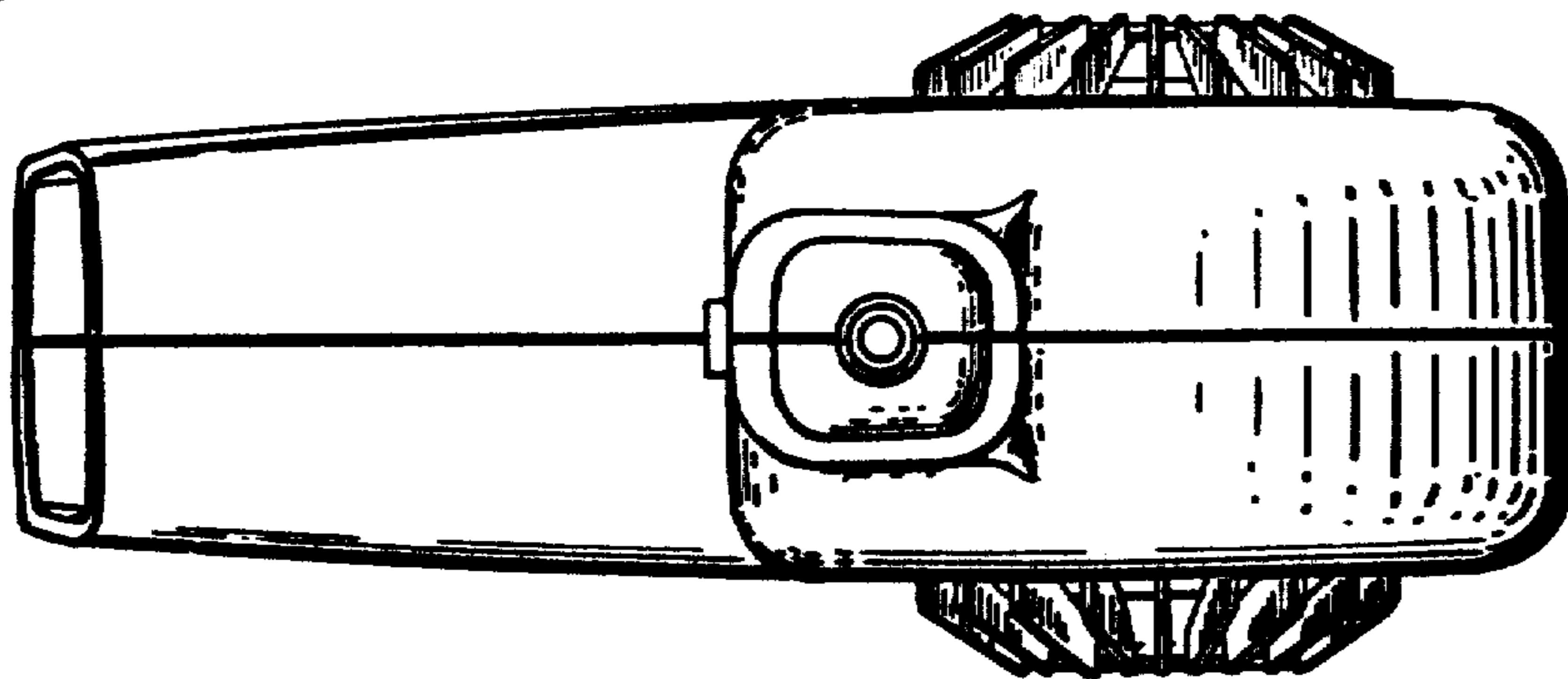


*Fig. 1.*

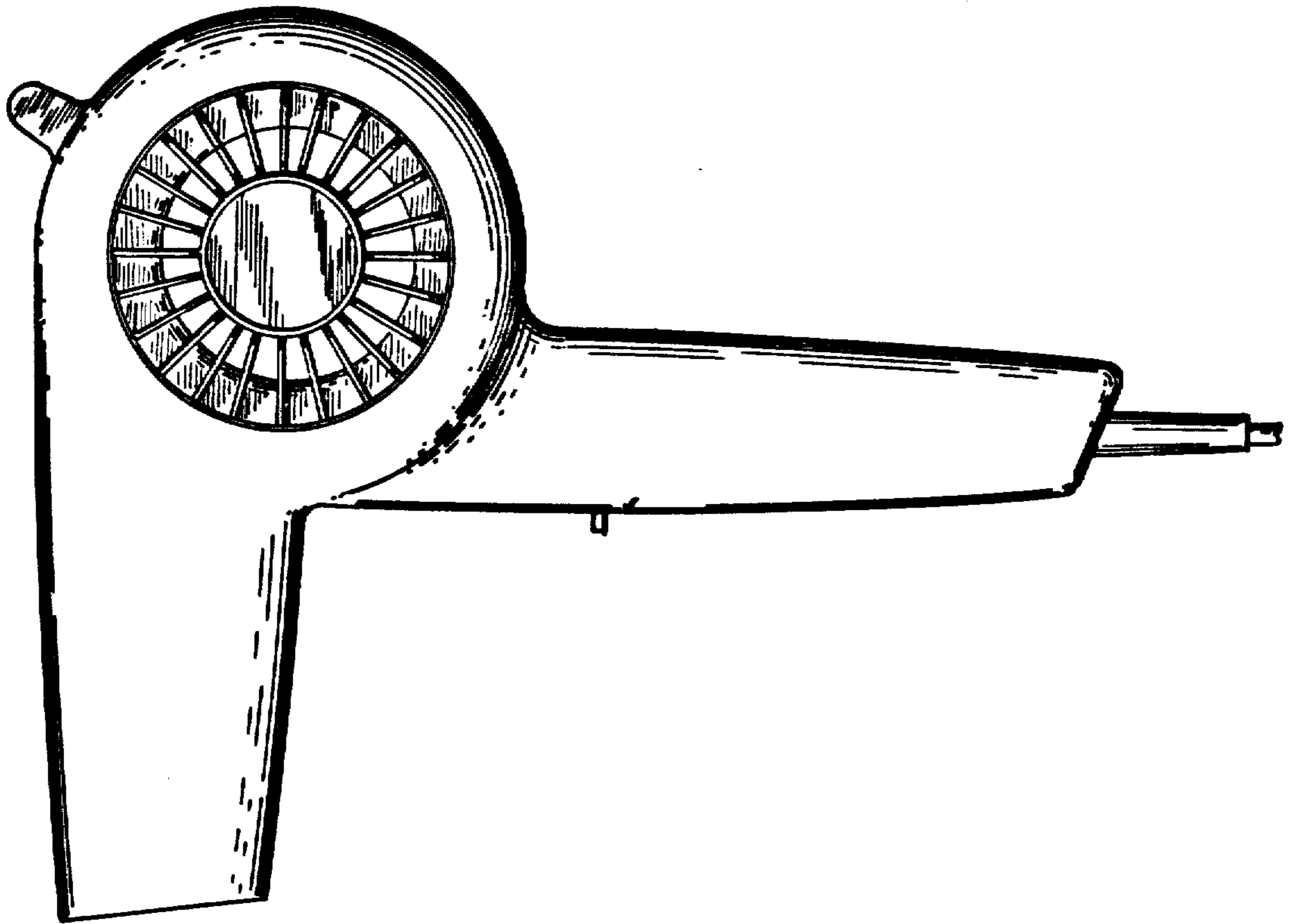


*Fig. 2.*

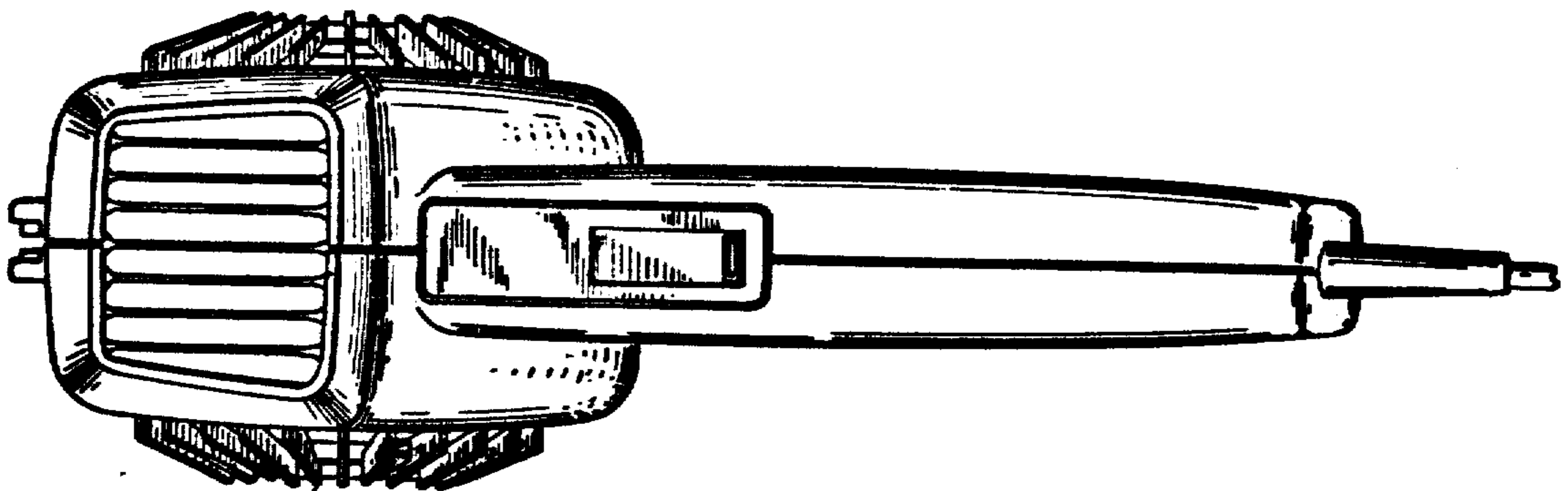
*Fig. 3.*



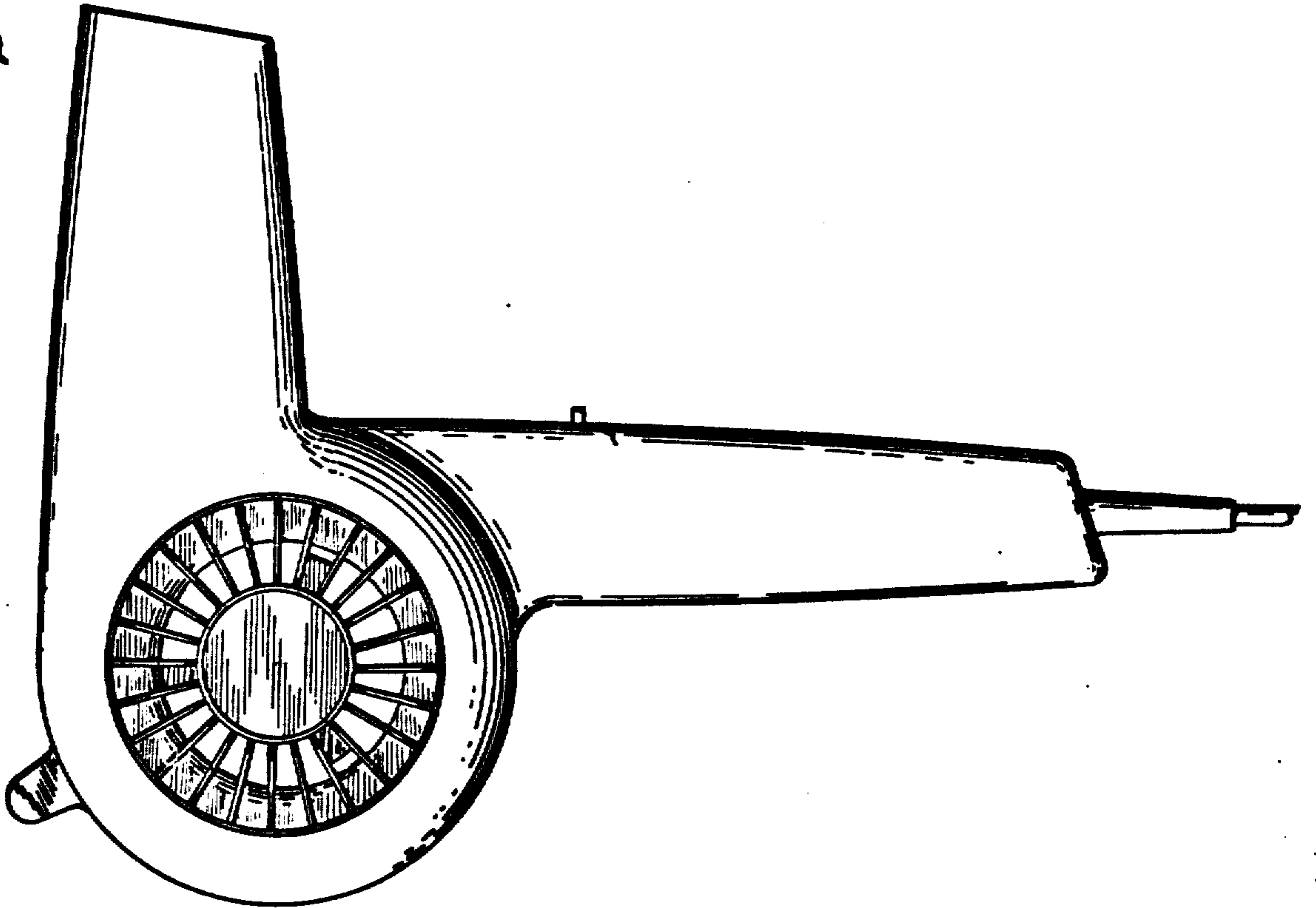
*Fig. 5.*



*Fig. 4.*



*Fig. 7*



*Fig. 6*

