

[54] **PHYSIOLOGICAL SENSOR**

[75] Inventors: **Howard Martin Allen**, Beaverton;  
**Ronald Charles Barber**, Portland,  
both of Oreg.

[73] Assignee: **Tektronix, Inc.**

[\*\*] Term: **14 Years**

[21] Appl. No.: **550,233**

[22] Filed: **Feb. 18, 1975**

[51] Int. Cl. .... **D24-02; D10-99**

[52] U.S. Cl. .... **D83/1 F**

[58] Field of Search ..... 128/DIG. 4, 2.06 E,  
128/2 K, 2 V; D83/1 F; D10/103; 340/1 R

[56] **References Cited**

**U.S. PATENT DOCUMENTS**

3,776,228 12/1973 Semler ..... 128/2.06 E

3,896,788 7/1975 Sato ..... 128/2.05 Z  
D 207,685 5/1967 King ..... D83/1 F  
D 222,138 10/1971 Palmer et al. .... D10/103

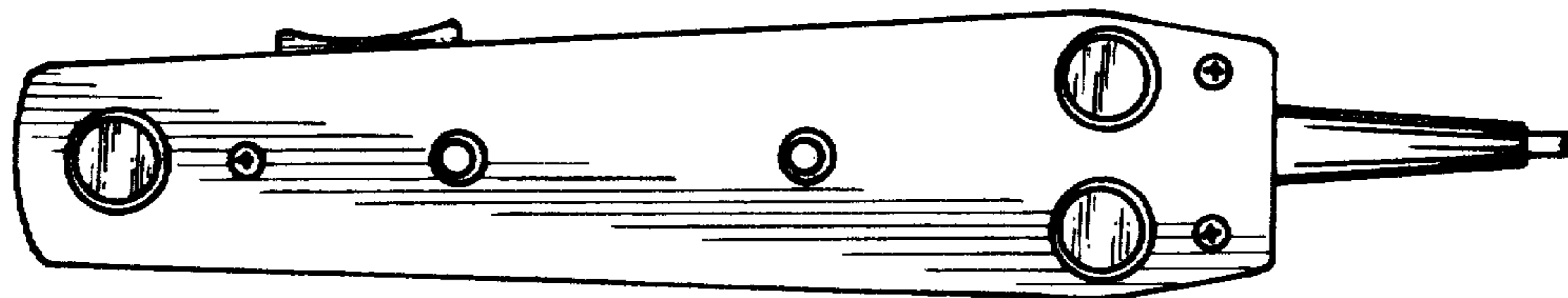
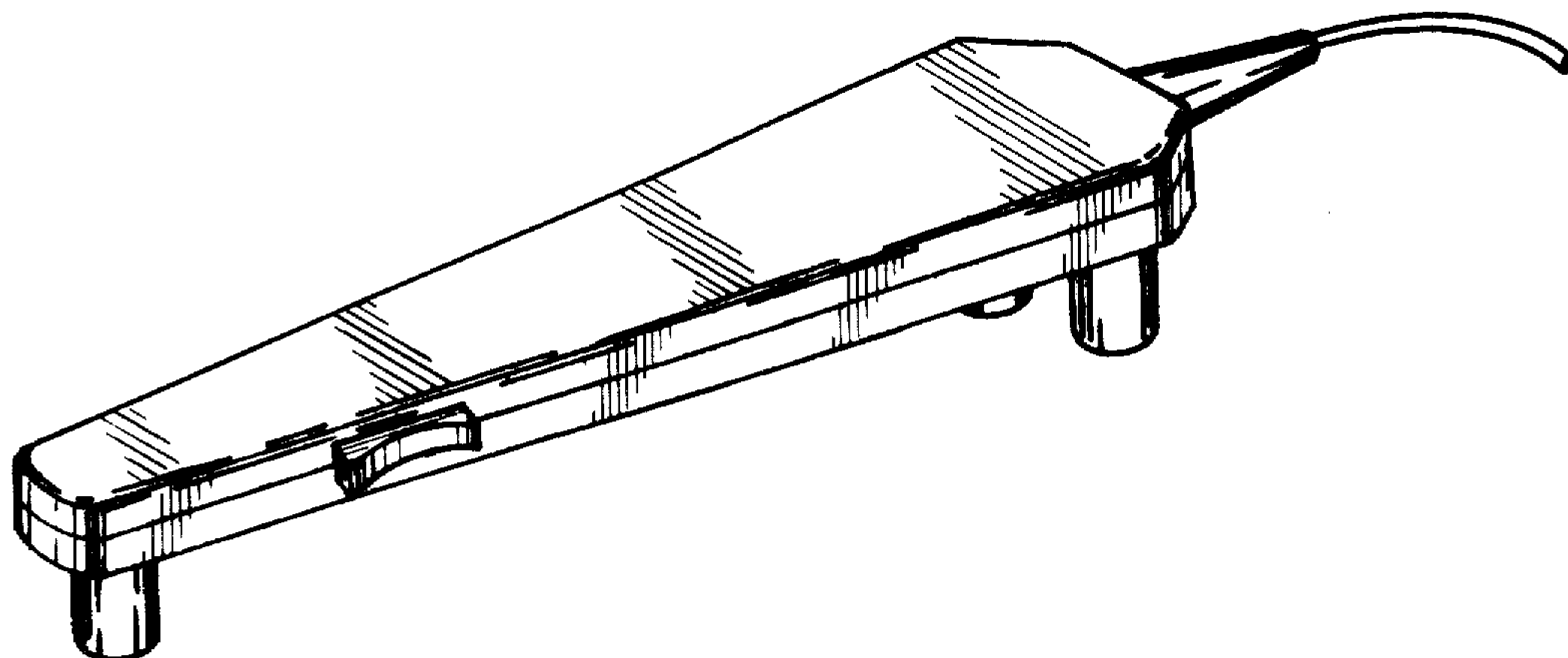
*Primary Examiner*—Bernard Ansher  
*Attorney, Agent, or Firm*—Adrian J. La Rue

[57] **CLAIM**

The ornamental design for a physiological sensor, as shown.

**DESCRIPTION**

FIG. 1 is a perspective view of the physiological sensor, showing our new design;  
FIG. 2 is a top plan view thereof;  
FIG. 3 is a right side elevational view thereof;  
FIG. 4 is a front elevational view thereof;  
FIG. 5 is a bottom plan view thereof;  
FIG. 6 is a left side elevational view thereof; and  
FIG. 7 is a rear elevational view thereof.



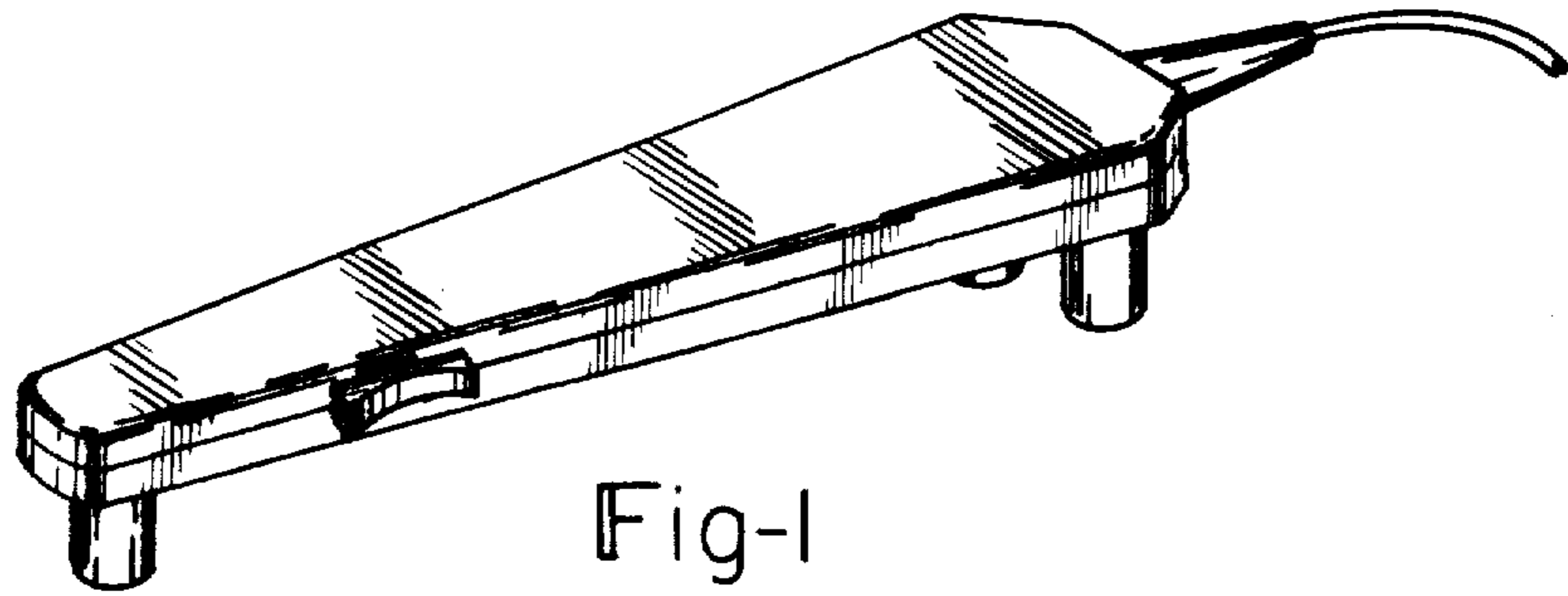


Fig-1

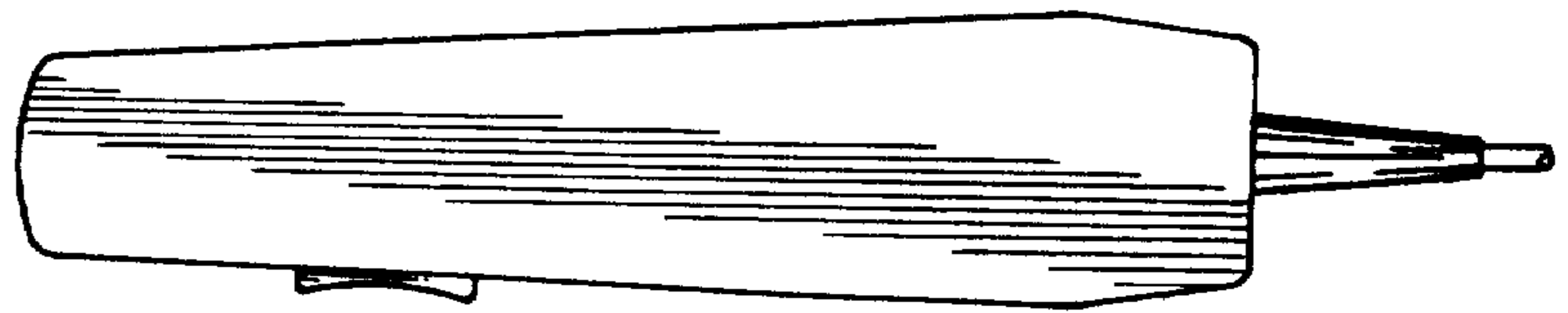


Fig-2



Fig-4

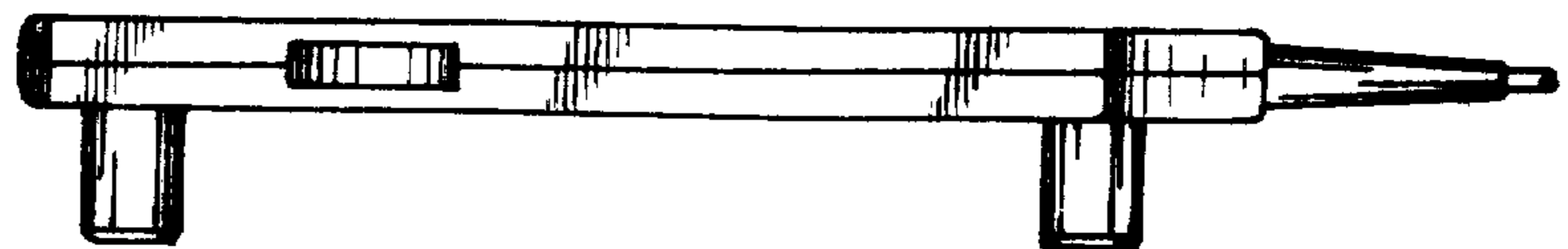


Fig-3

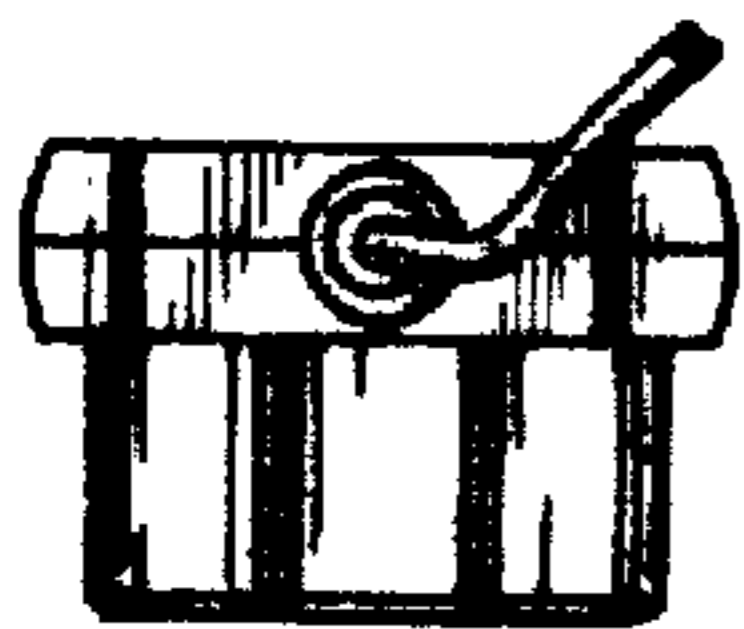


Fig-7

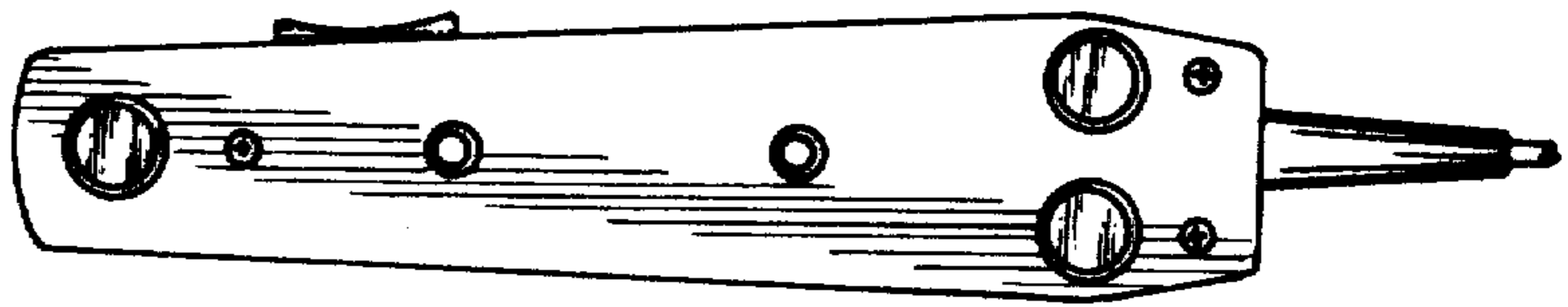


Fig-5

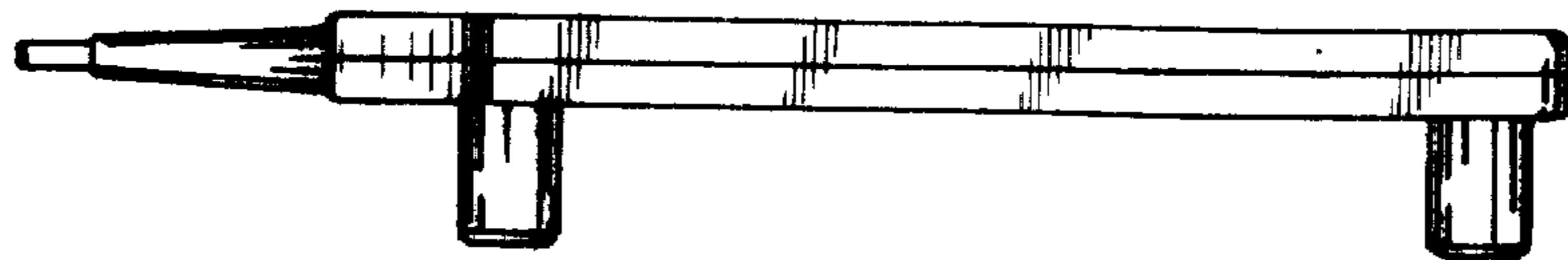


Fig-6