

[54] **OFFSET PRINTING PRESS MACHINE**

3,804,005 4/1974 Burger et al. .... 101/132.5

[75] Inventors: **Shigeru Shimizu**, Takarazuka;  
**Kazuyuki Hatsuda**, Takatsuki; **Sadao Murata**, Kyoto, all of Japan

**OTHER PUBLICATIONS**

Addressograph Multigraph Corp., Multilith Offset 2750 Service Manual, 1969 - Cover Photo.

[73] Assignee: **K.K. Hamada Insatsuki Seizosho**

*Primary Examiner*—Melvin B. Feifer

[\*\*] Term: **7 Years**

*Assistant Examiner*—Louis S. Zarfes

[21] Appl. No.: **529,482**

*Attorney, Agent, or Firm*—W. Robert Spensley

[22] Filed: **Dec. 4, 1974**

[57] **CLAIM**

[30] **Foreign Application Priority Data**

The ornamental design for an offset printing press machine, substantially as shown.

June 8, 1974 Japan ..... 49-19079

**DESCRIPTION**

[51] Int. Cl. .... **D18-02**

[52] U.S. Cl. .... **D64/11 R**

FIG. 1 is a front elevational view of an offset printing press machine showing our new design;

[58] Field of Search ..... **D64/10.1, 11 R;**

101/130, 132.5, 136, 141, 147

FIG. 2 is a top plan view thereof;

FIG. 3 is a bottom plan view thereof;

FIG. 4 is a rear elevational view thereof;

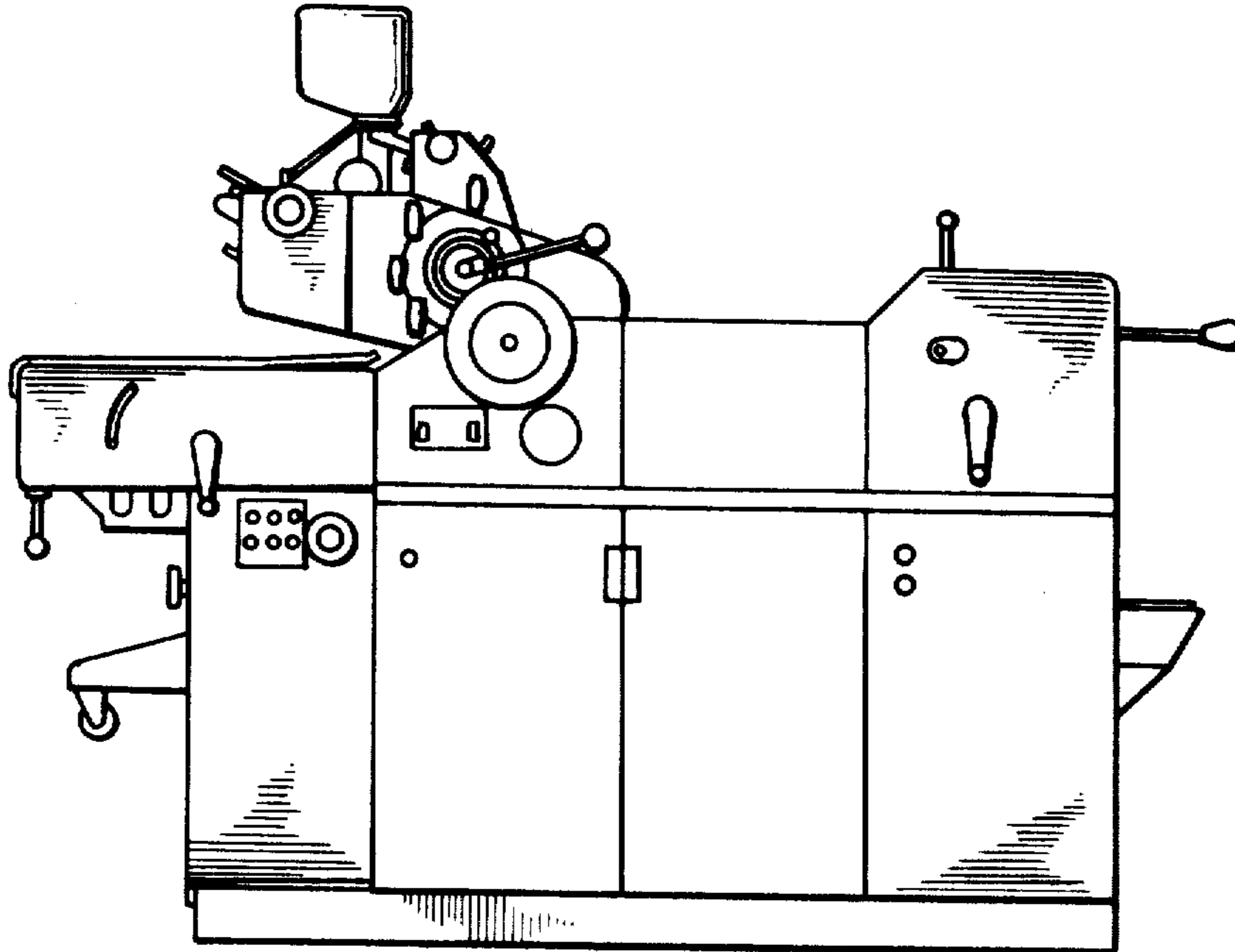
FIG. 5 is a left side elevational view thereof; and

FIG. 6 is a right side elevational view thereof.

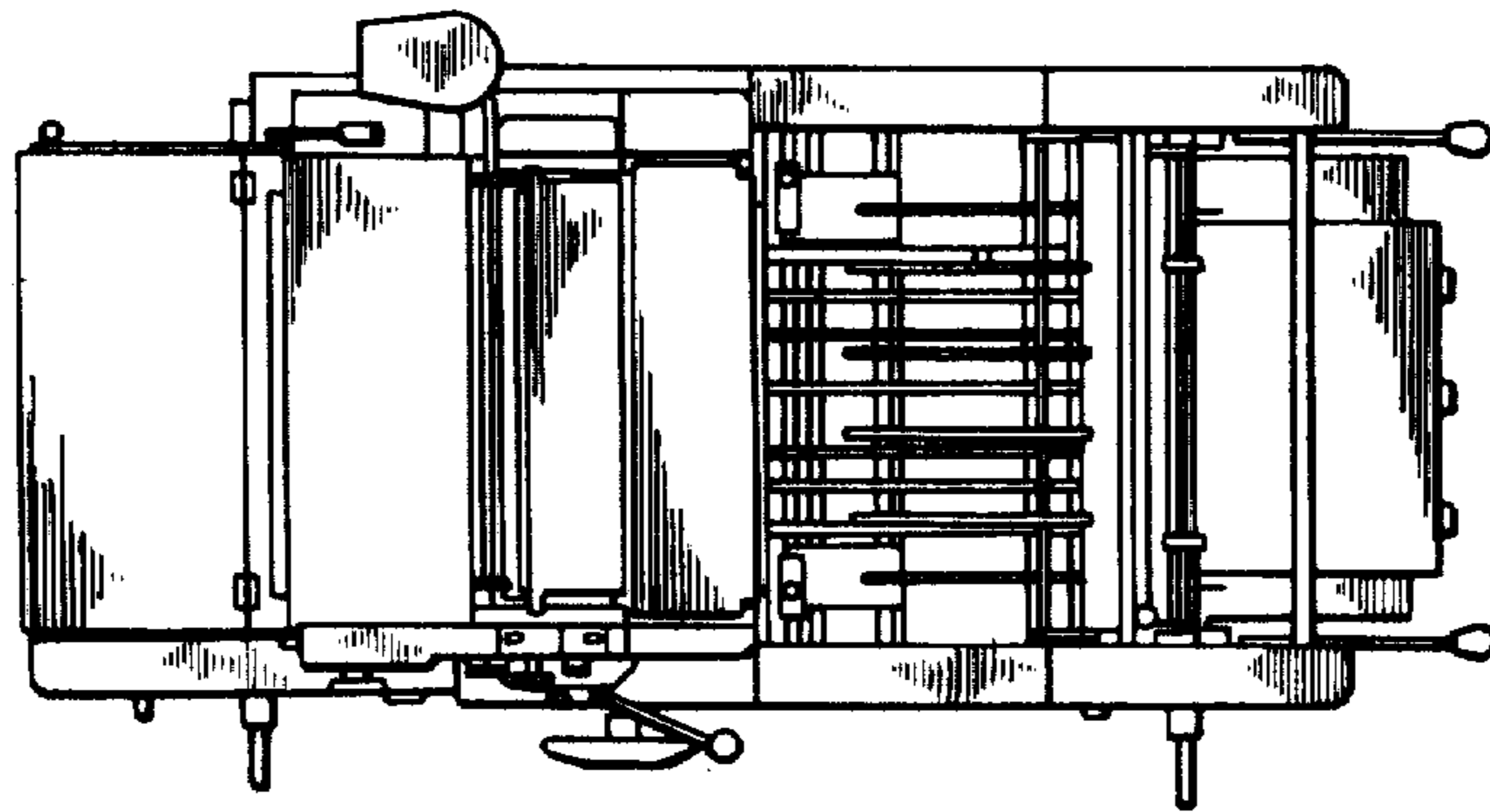
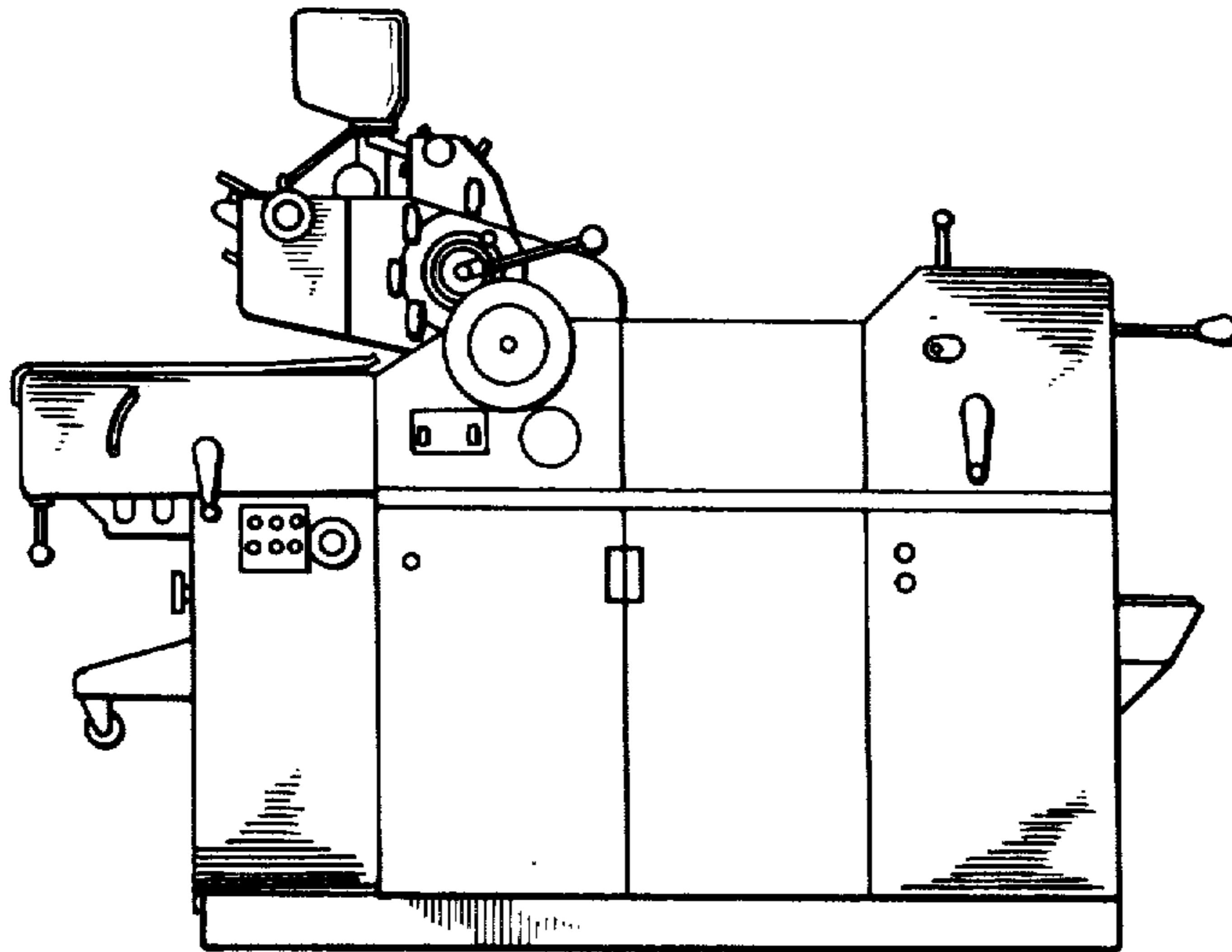
[56] **References Cited**

**U.S. PATENT DOCUMENTS**

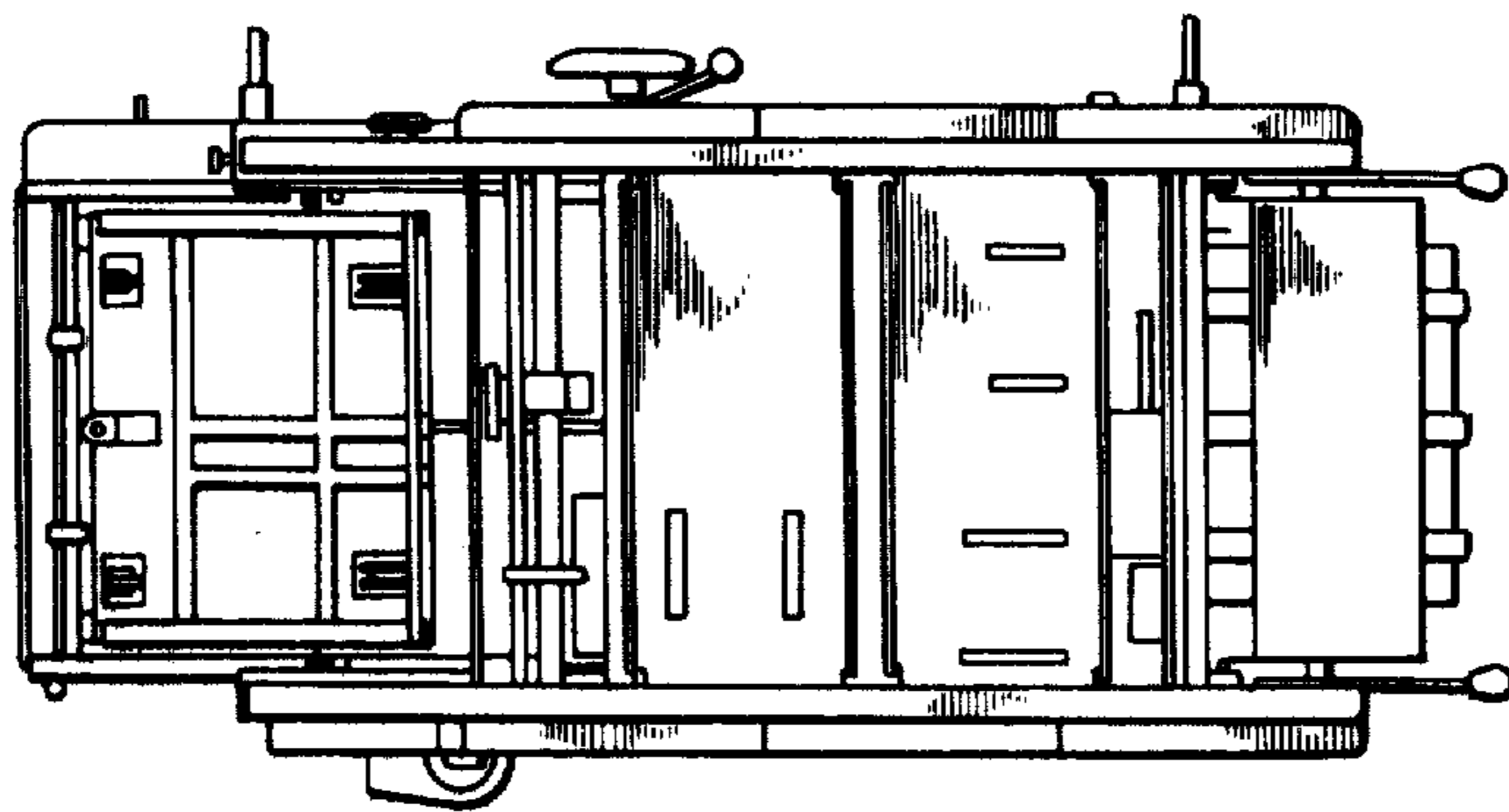
3,034,427 5/1962 Ostwald ..... D64/11 R



*Fig. 1*

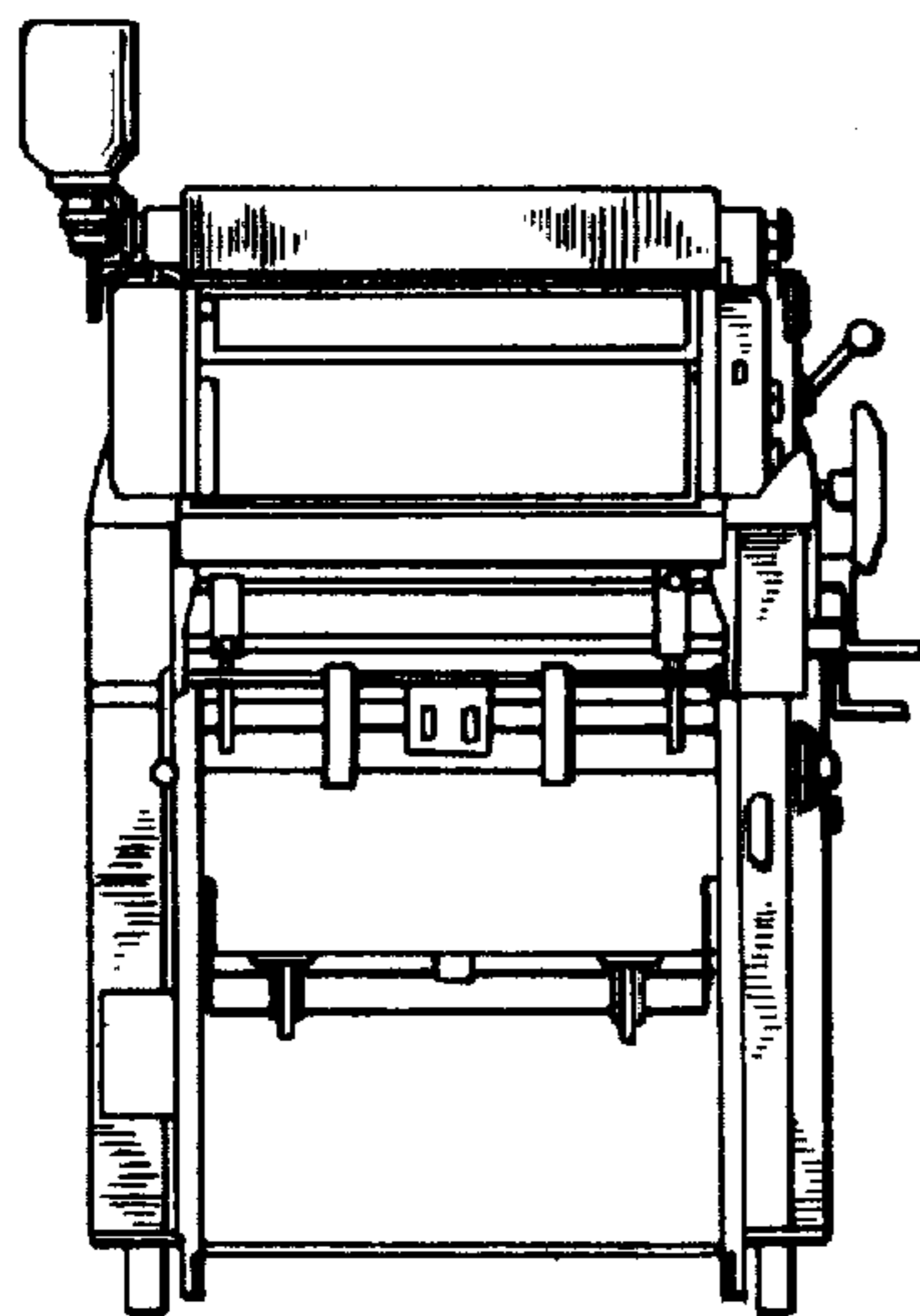
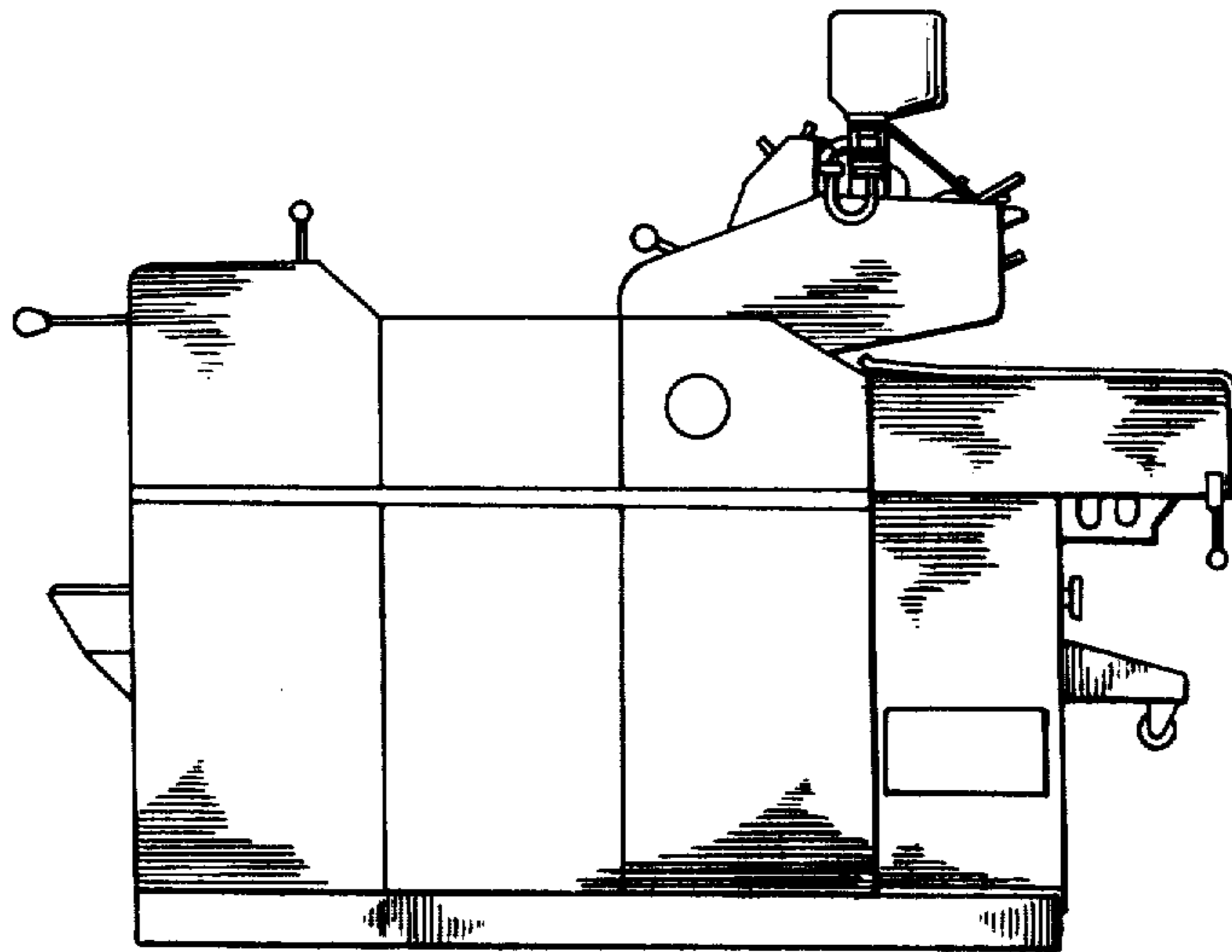


*Fig. 2*

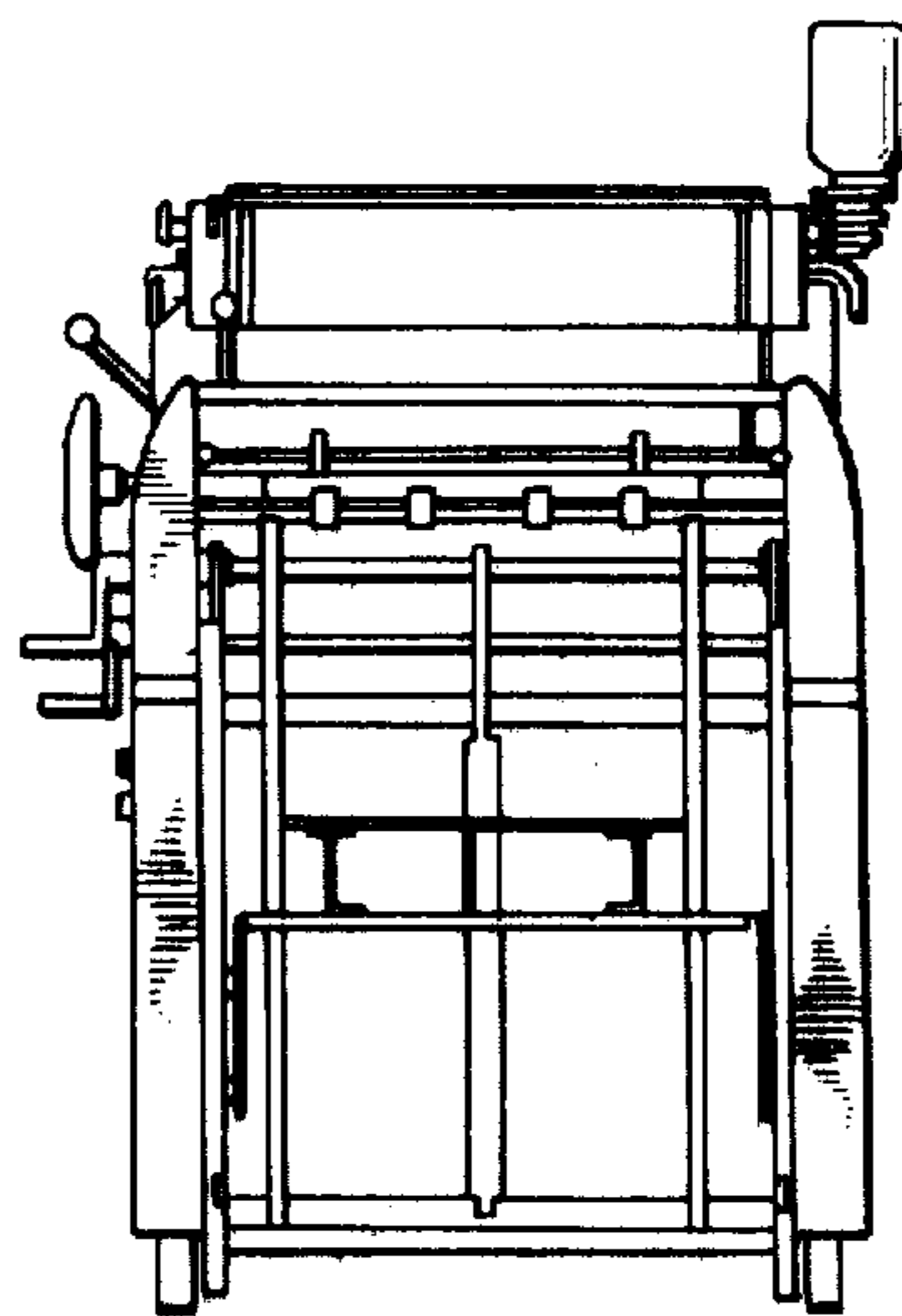


*Fig. 3*

*Fig. 4*



*Fig. 5*



*Fig. 6*