

[54] CRADLE TYPE GROUND LUG FOR CONDUIT

3,643,203 2/1972 McLaughlin et al. 174/83

[75] Inventors: Thomas Mooney, Mount Sinai, N.Y.; Richard A. Bauer, Etters, Pa.

OTHER PUBLICATIONS

Electrical World, vol. 182, No. 1, July 1, 1974, p. 31, bushings shown.

[73] Assignee: ITE Imperial Corporation, East Farmingdale, N.Y.

Primary Examiner—Wallace R. Burke
Assistant Examiner—Christine M. Nucker
Attorney, Agent, or Firm—Howard C. Miskin

[**] Term: 14 Years

[21] Appl. No.: 615,307

[22] Filed: Sept. 22, 1975

[57] CLAIM

[51] Int. Cl. D13-03

The ornamental design for a cradle type ground lug for conduits, substantially as shown and described.

[52] U.S. Cl. D13/13

[58] Field of Search D26/1 R, 1 A; 339/13, 339/14 R, 14 L, 272

DESCRIPTION

[56] References Cited

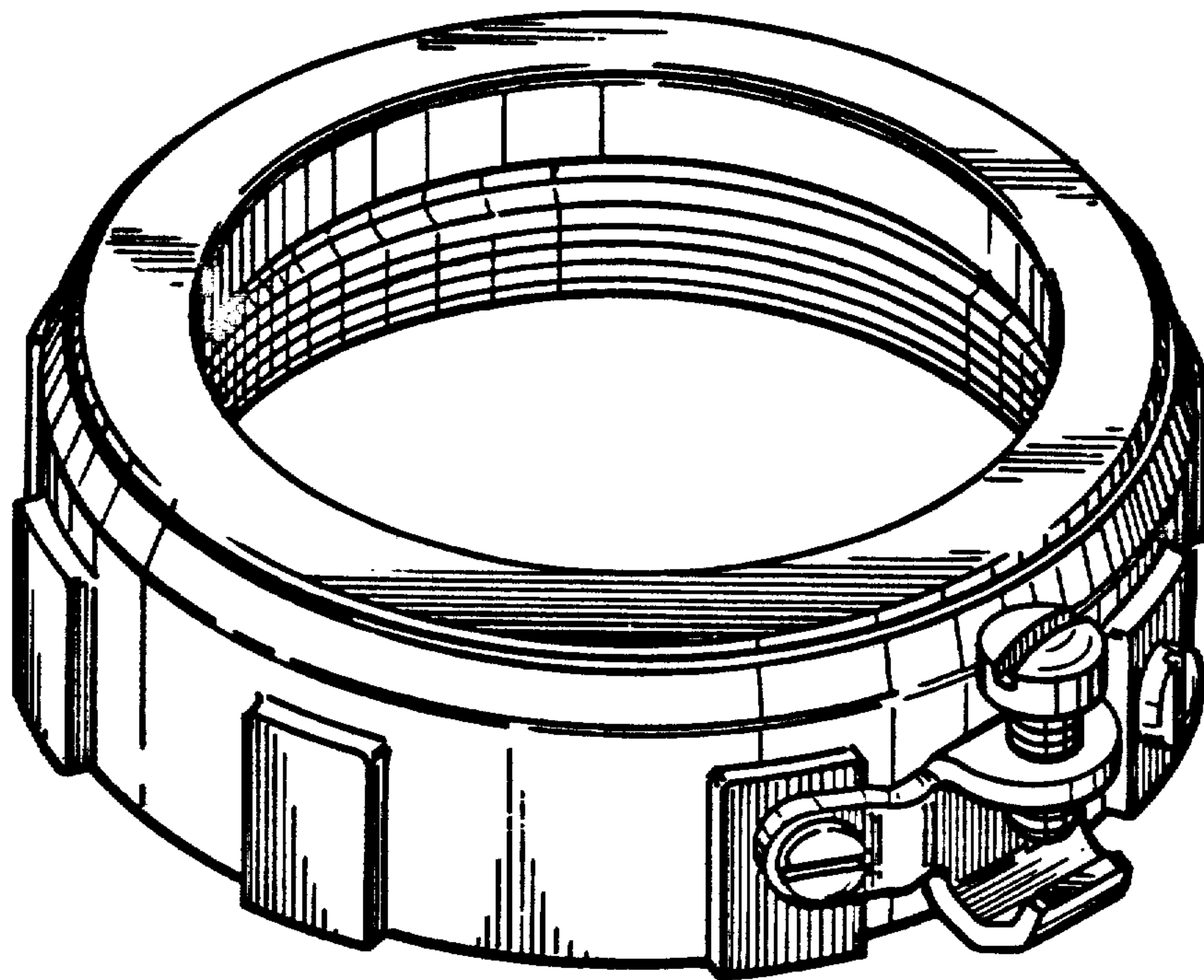
FIG. 1 is a top perspective view of a cradle type ground lug for conduits showing our new design.

U.S. PATENT DOCUMENTS

FIG. 2 is a front elevational view;

3,492,625 1/1970 Bromberg 339/14 R

FIG. 3 is a bottom plan view.



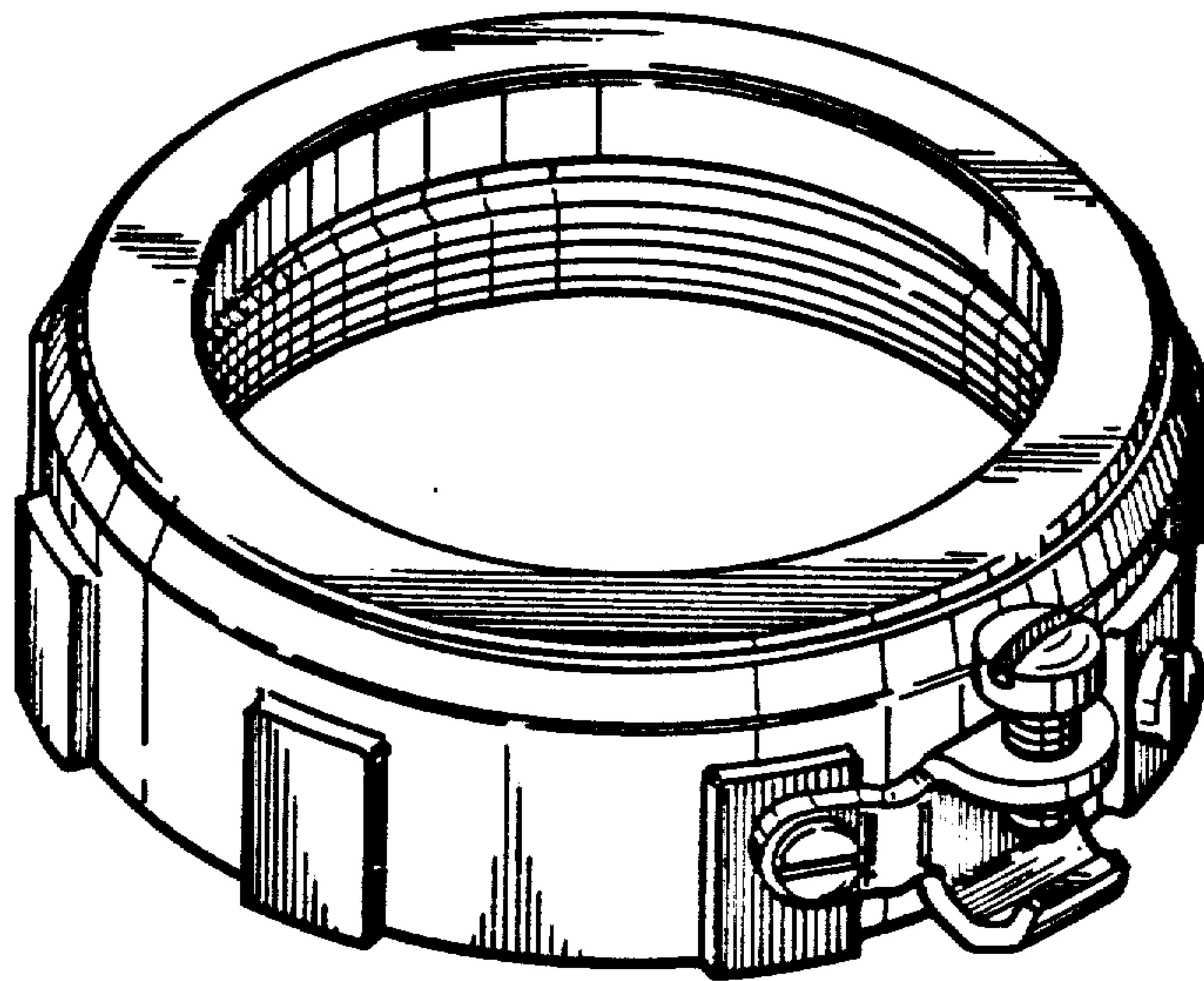


Fig. 1.

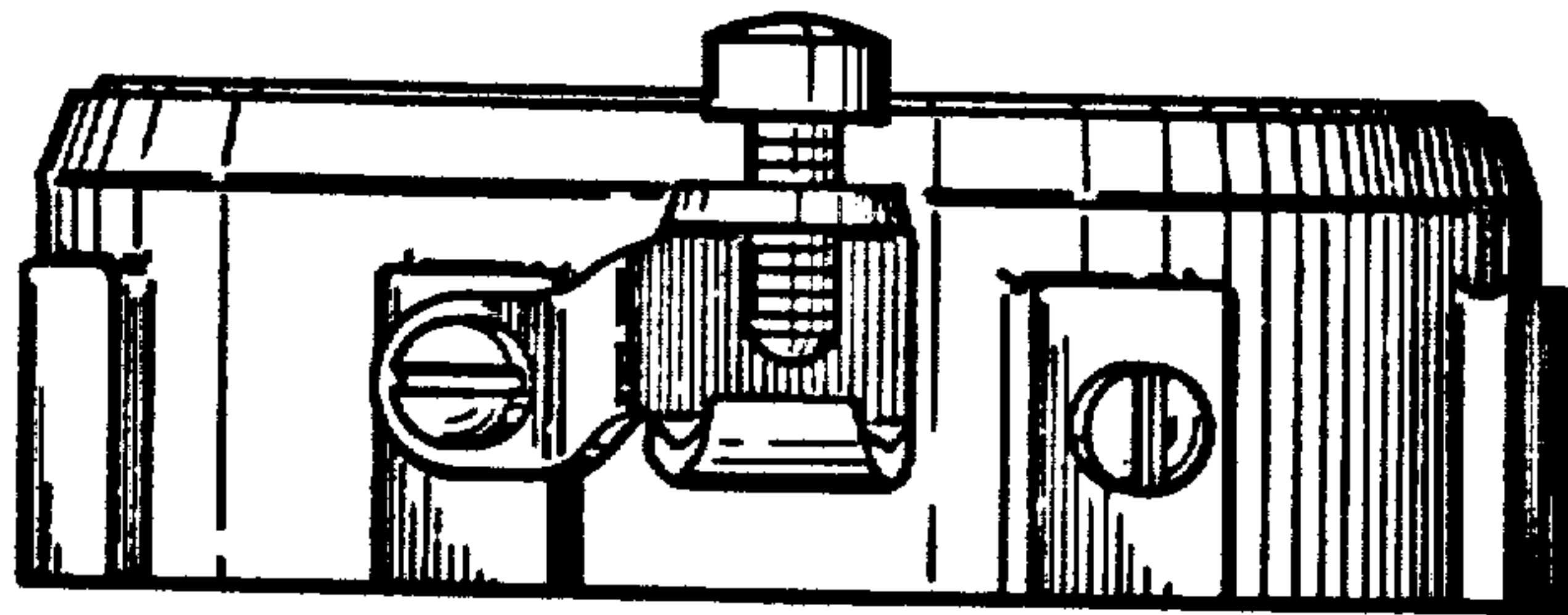


Fig. 2.

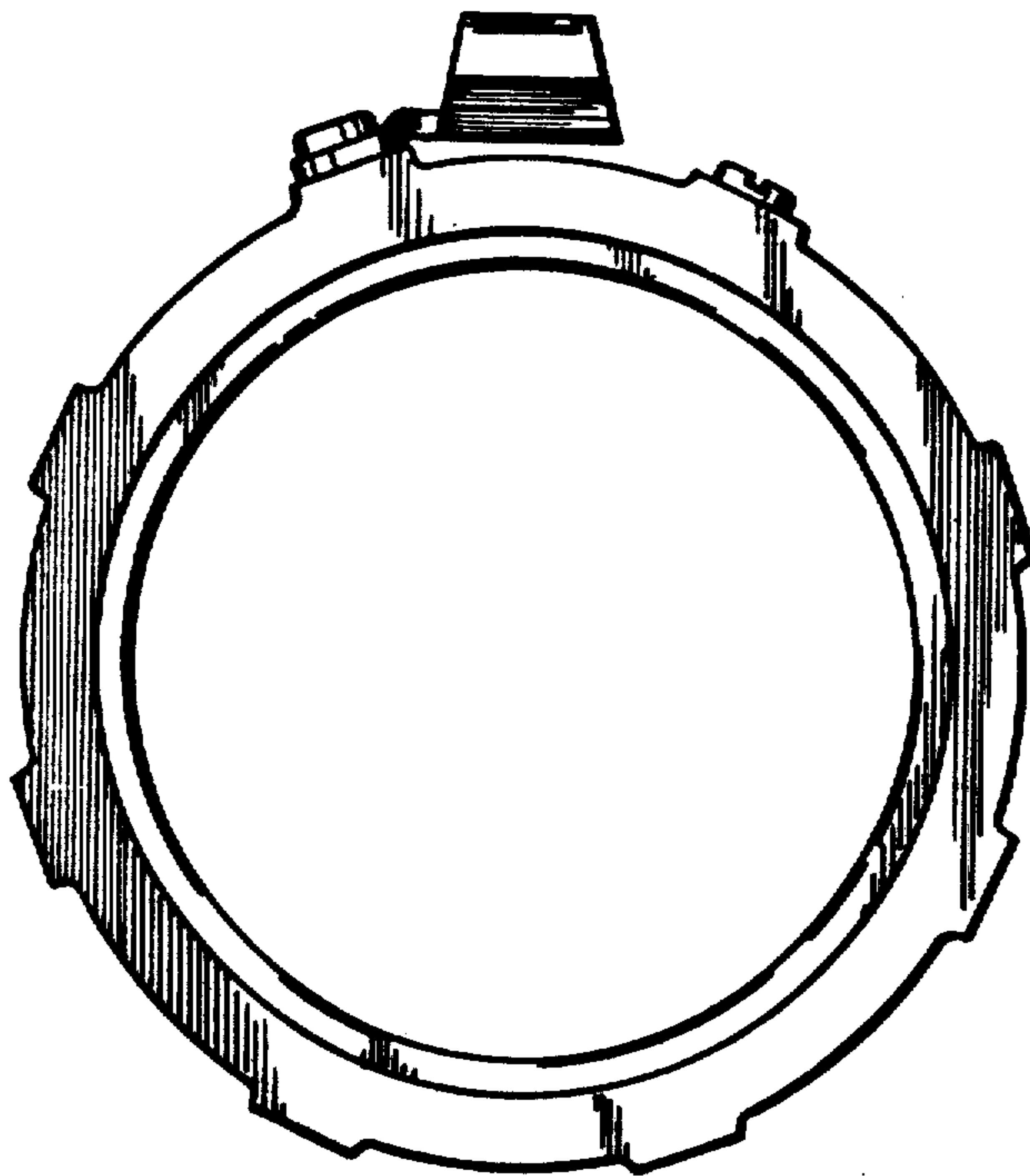


Fig. 3.