

[54] **SADDLE TYPE CONNECTOR**

[75] **Inventors:** Thomas Mooney, Mount Sinai;
Stephen Veselaski, Shirley, both of
N.Y.

[73] **Assignee:** ITE Imperial Corporation, East
Farmingdale, N.Y.

[**] **Term:** 14 Years

[21] **Appl. No.:** 614,201

[22] **Filed:** Sept. 17, 1975

[51] **Int. Cl.** D13-03

[52] **U.S. Cl.** D13/13

[58] **Field of Search** D26/1 A, 1 C; 339/13,
339/14, 272; D8/229, 230

[56] **References Cited**

U.S. PATENT DOCUMENTS

3,006,981 10/1961 Weber 339/13

FOREIGN PATENT DOCUMENTS

662,829 7/1938 Germany 339/13

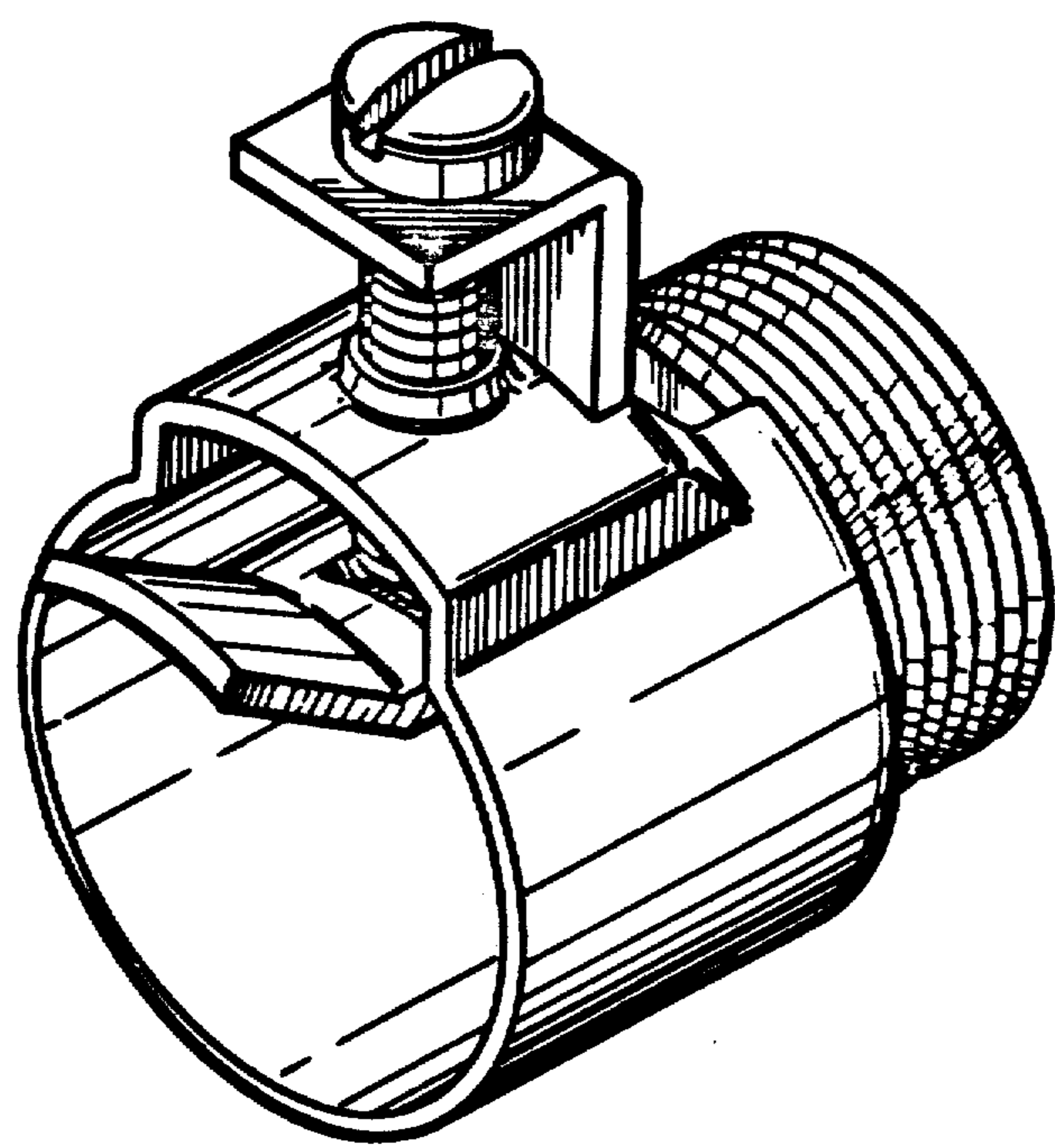
Primary Examiner—Wallace R. Burke
Assistant Examiner—Christine M. Nucker
Attorney, Agent, or Firm—Howard C. Miskin

[57] **CLAIM**

The ornamental design for a saddle type connector,
substantially as shown and described.

DESCRIPTION

FIG. 1 is a perspective view of a saddle type connector
showing our new design.
FIG. 2 is a front elevational view;
FIG. 3 is a right side elevational view;
FIG. 4 is a top plan view.



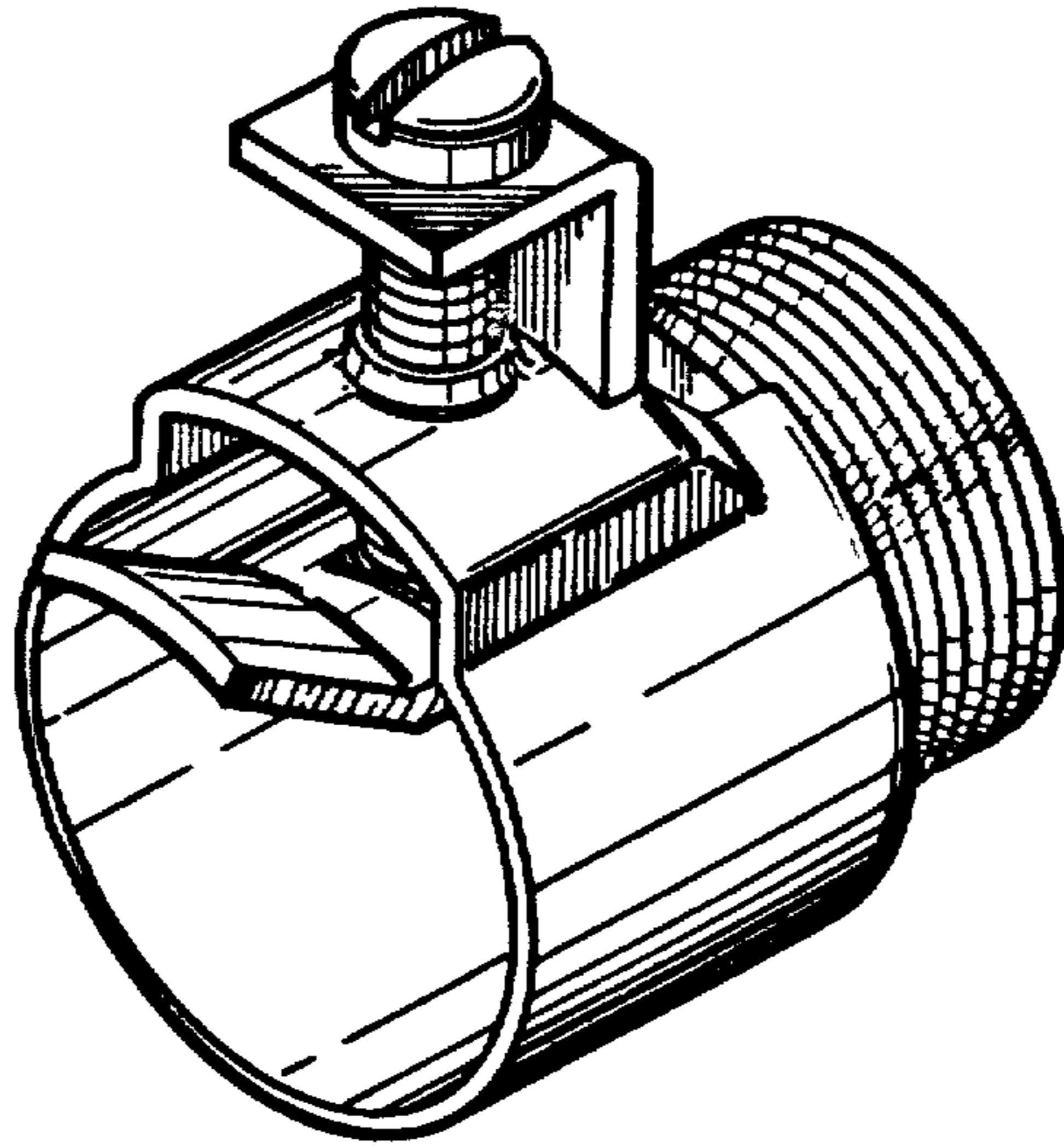


Fig. 1.

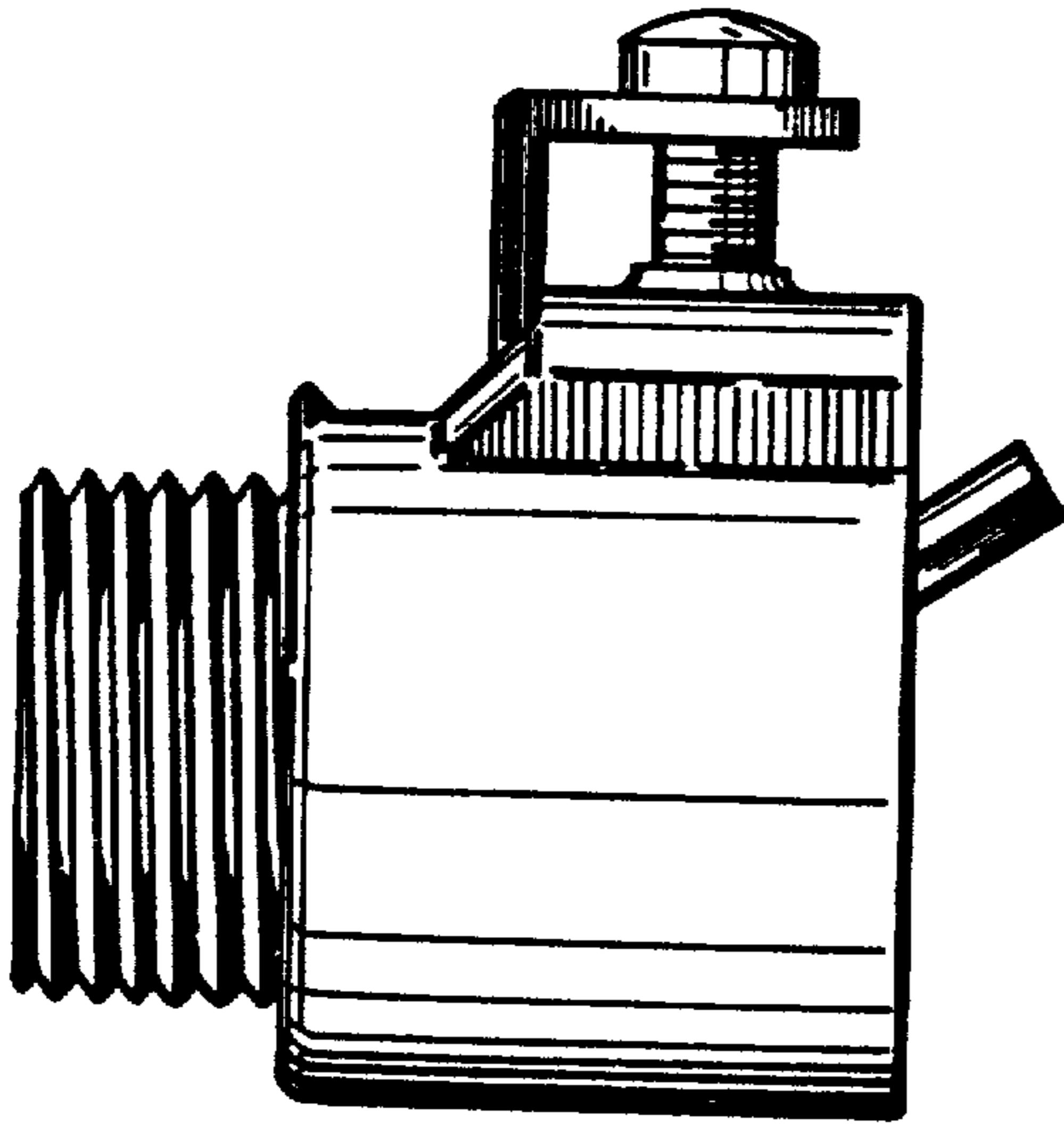


Fig. 2.

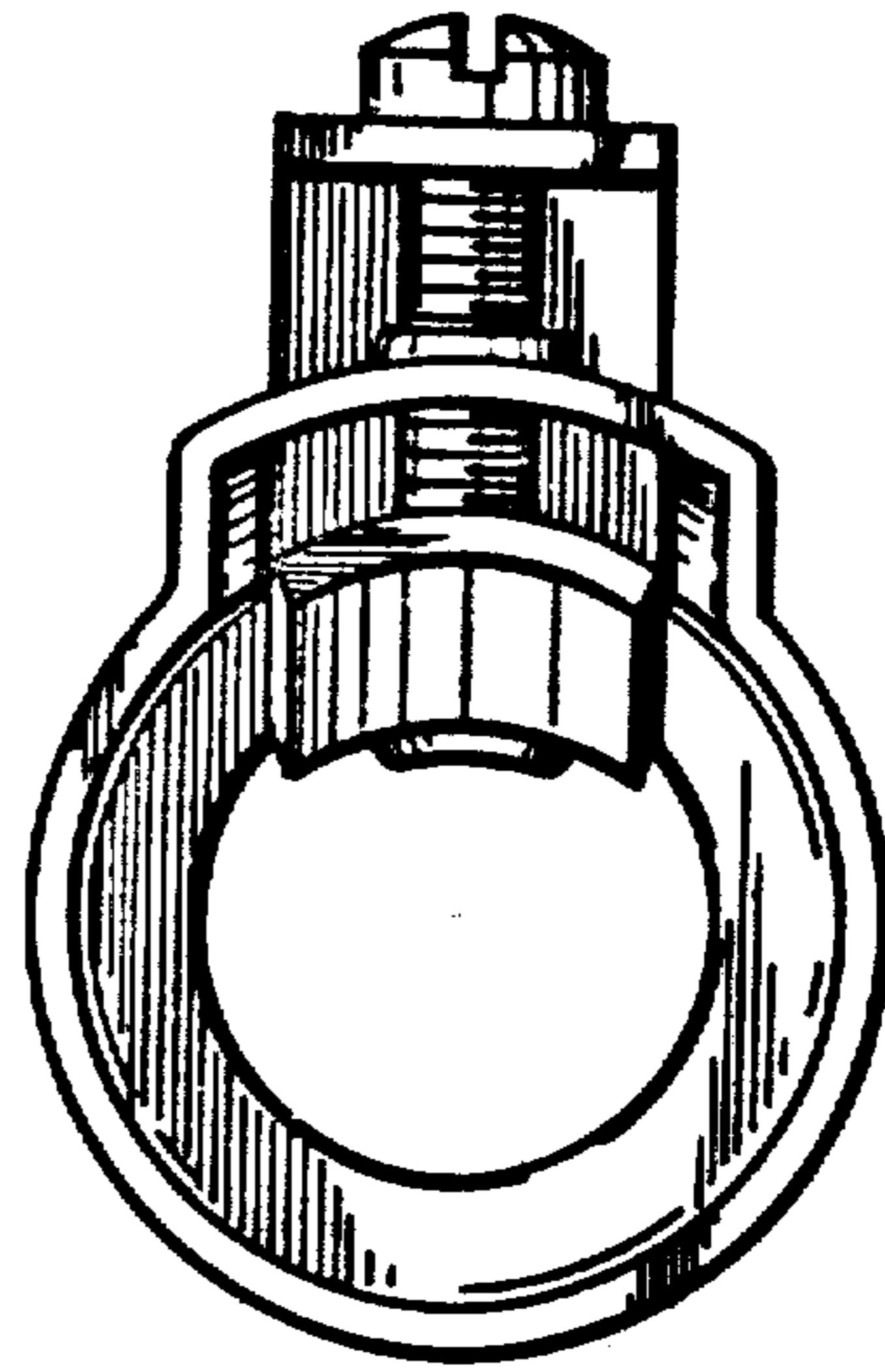


Fig. 3.

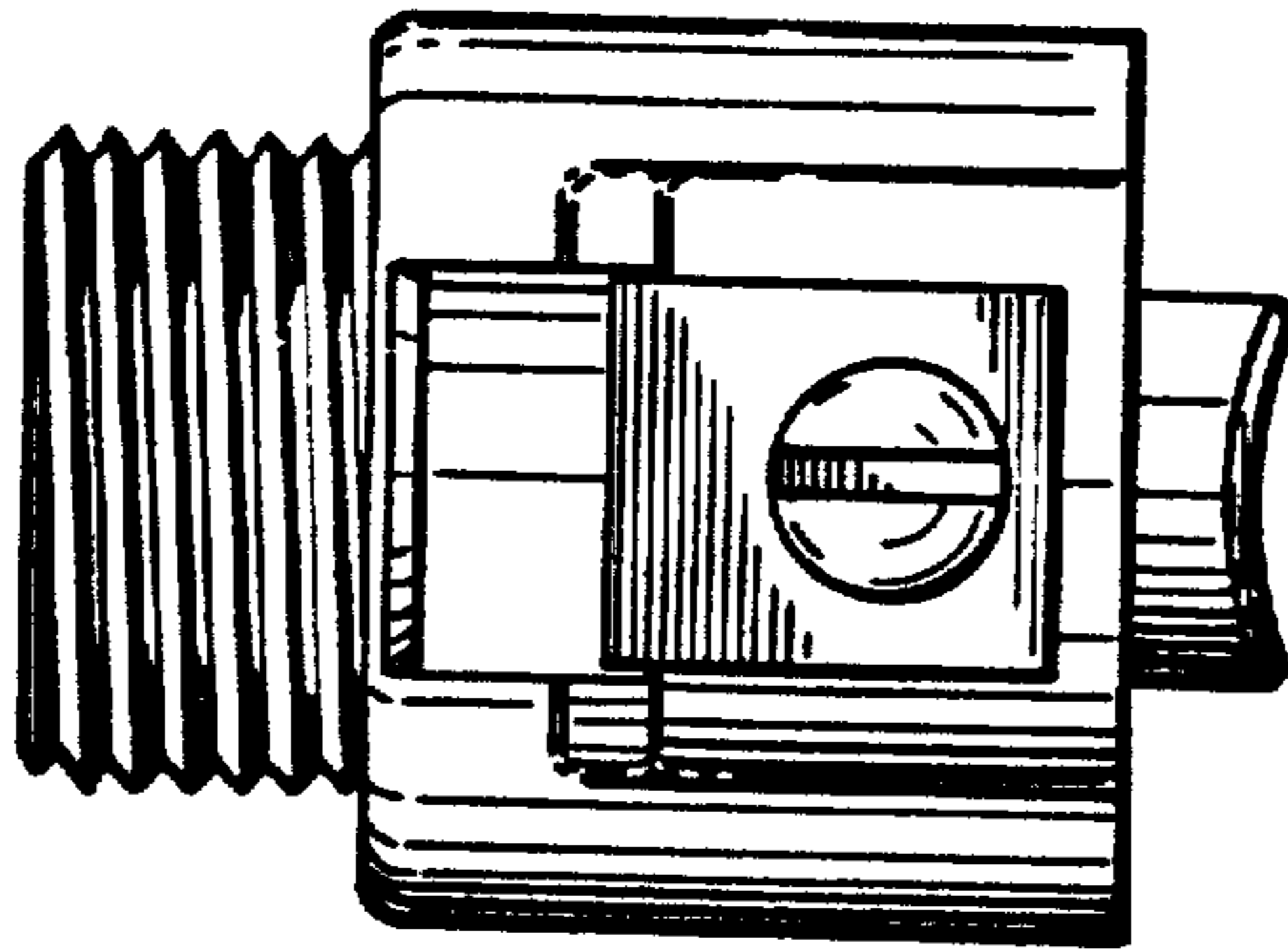


Fig. 4.