

[54] **COMBINED FILTER, AERATOR AND SPRAY COOLING UNIT FOR SWIMMING POOLS**

Primary Examiner—James R. Largen  
Attorney, Agent, or Firm—Martha G. Pugh

[76] Inventor: **William G. Lupton**, 311 Forest Drive, South, Short Hills, N.J. 07078

[\*\*] Term: **14 Years**

[21] Appl. No.: **539,108**

[22] Filed: **Jan. 7, 1975**

[51] Int. Cl. .... **D23—01**

[52] U.S. Cl. .... **D23/4**

[58] Field of Search ..... **D23/4; 210/169, 241; 239/179, 565; 261/119 R**

[56] **References Cited**

**U.S. PATENT DOCUMENTS**

2,788,242	4/1957	Jepson .....	D23/7 UX
2,883,116	4/1959	Muench .....	D23/7 UX
3,012,676	12/1961	Englesberg .....	210/241 X
3,186,550	6/1965	Beduhn .....	210/169

**OTHER PUBLICATIONS**

Toys & Novelties, Mar. 1962, p. 410.

[57] **CLAIM**

The ornamental design for a combined filter, aerator and spray cooling unit for swimming pools, as shown and described.

**DESCRIPTION**

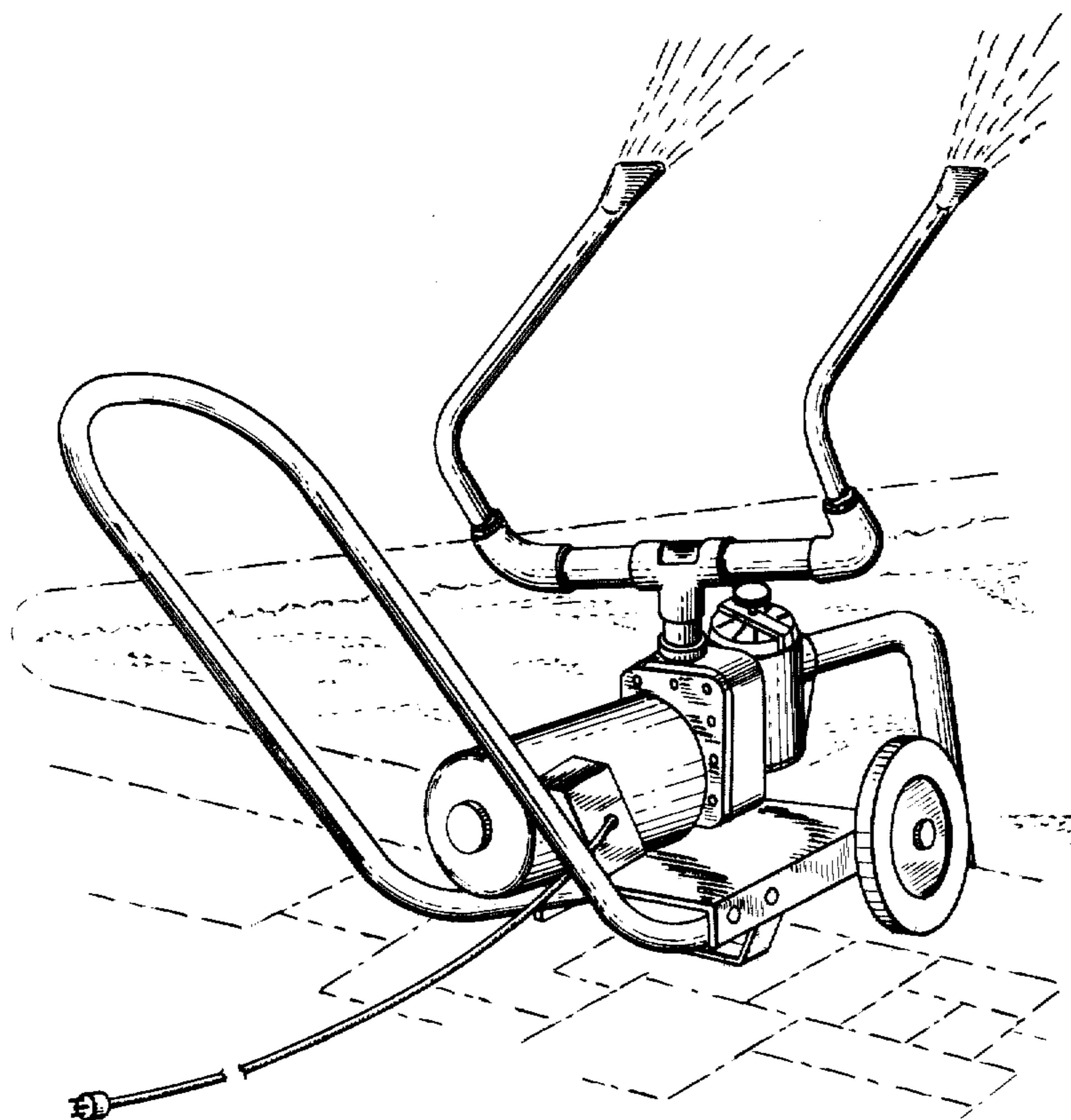
FIG. 1 is a perspective view of a combined filter, aerator and spray cooling unit for swimming pools showing my new design;

FIG. 2 is a side elevational view thereof, with portions of the intake pipe and spray nozzle in section for convenience of illustration;

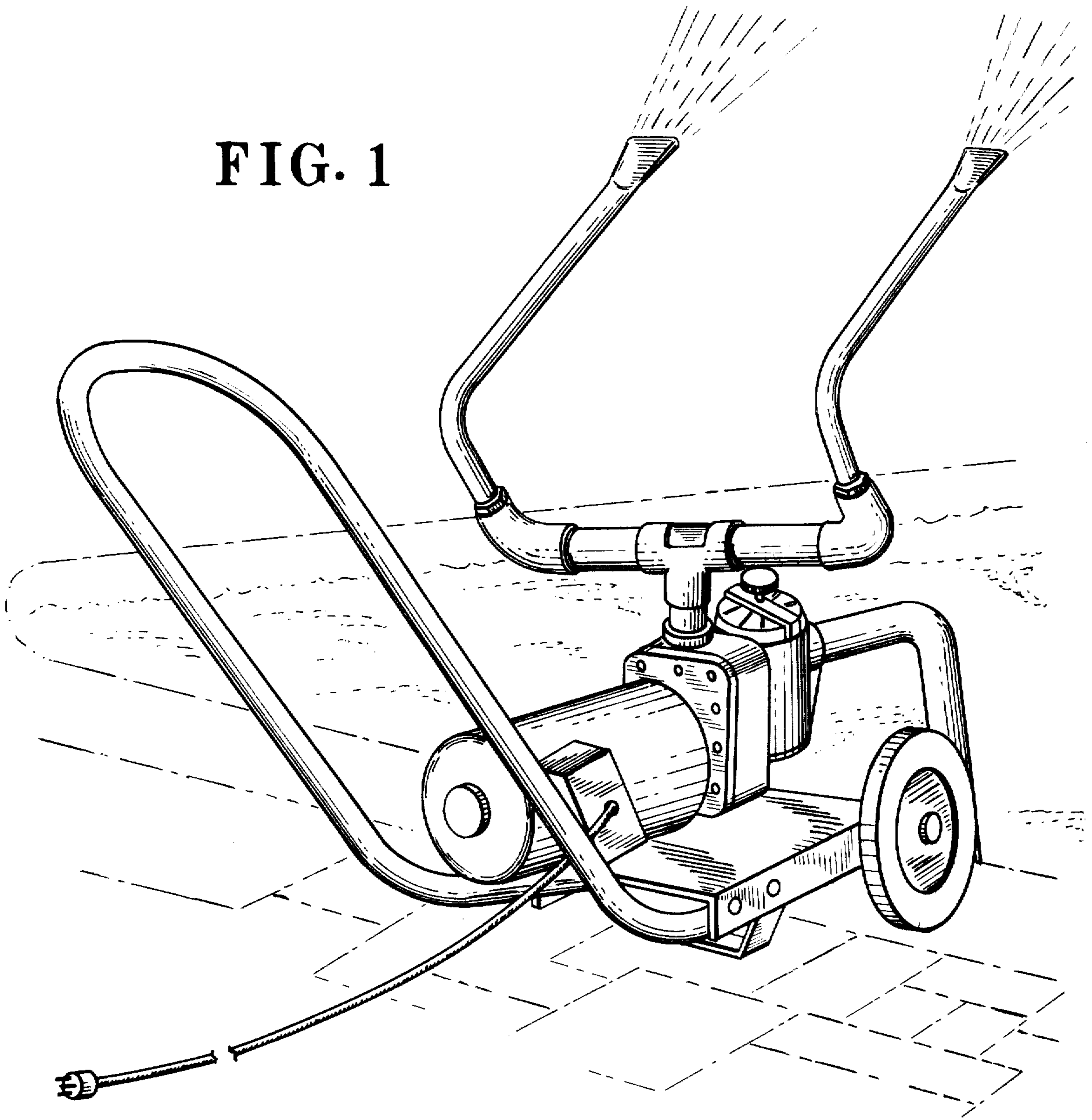
FIG. 3 is a top plan view thereof; and

FIG. 4 is a cross sectional view taken on line 4—4 of FIG. 2.

The fragmentary broken line representation of a swimming pool in FIGS. 1 and 2 is for purposes of illustration only.



**FIG. 1**



**FIG. 3**

