

[54] **TRUCK BED REMOVABLY MOUNTABLE UTILITY STORAGE CARRYALL**

[76] Inventor: **Freddie L. Wynn**, 927 J S. 9th Ave., Apt. 96, Phoenix, Ariz. 85007

[\*\*] Term: **14 Years**

[21] Appl. No.: **636,690**

[22] Filed: **Dec. 1, 1975**

[51] Int. Cl. .... **D12-16**

[52] U.S. Cl. .... **D12/157**

[58] Field of Search ..... **D12/157, 155; D87/1 R; 224/29 R, 42.33, 42.32, 42.38; 296/37 R; 190/15.1**

[56] **References Cited**

**U.S. PATENT DOCUMENTS**

1,280,362	10/1918	Alveson et al. ....	224/42.32
1,404,484	1/1922	Schoonmaker ....	296/37 R
1,609,466	12/1926	Dempsey ....	224/29 R
3,940,009	2/1976	Szeles ....	296/37 R

**OTHER PUBLICATIONS**

Telephony, 1/7/74, Weatherguard Side Boxes, center of page.

*Primary Examiner*—Wallace R. Burke  
*Assistant Examiner*—James M. Gandy  
*Attorney, Agent, or Firm*—Warren F. B. Lindsley

[57] **CLAIM**

The ornamental design for a truck bed removably mountable utility storage carryall, as shown.

**DESCRIPTION**

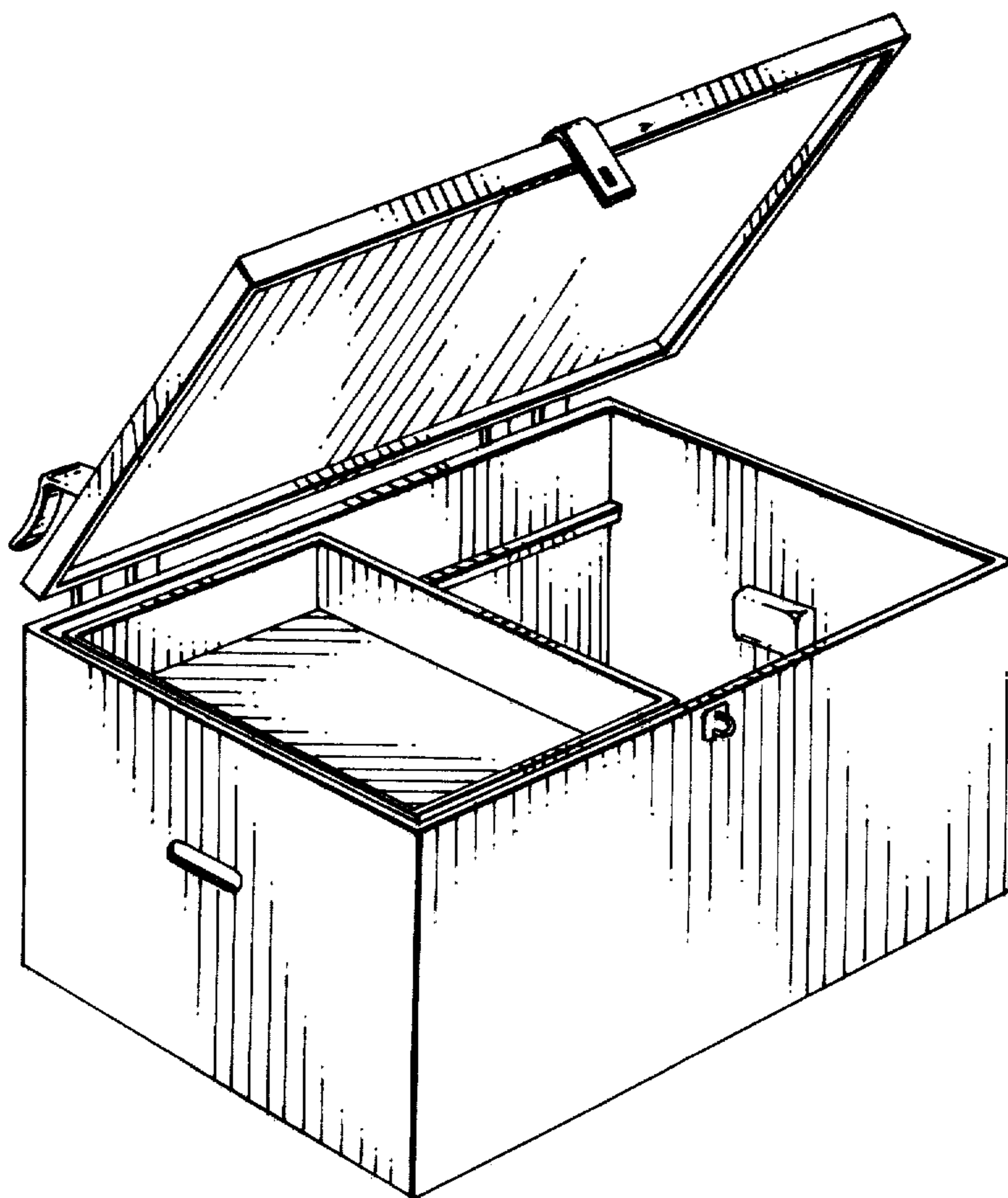
FIG. 1 is a perspective view of the top, front and one end of a truck bed removably mountable utility storage carryall with the cover in open condition showing my new design;

FIG. 2 is a perspective view of the bottom, rear and opposite end thereof with the cover in closed condition;

FIG. 3 is a top plan view of FIG. 2;

FIG. 4 is an enlarged fragmentary left end elevational view of FIG. 1, and

FIG. 5 is a fragmentary rear elevational view of FIG. 2.



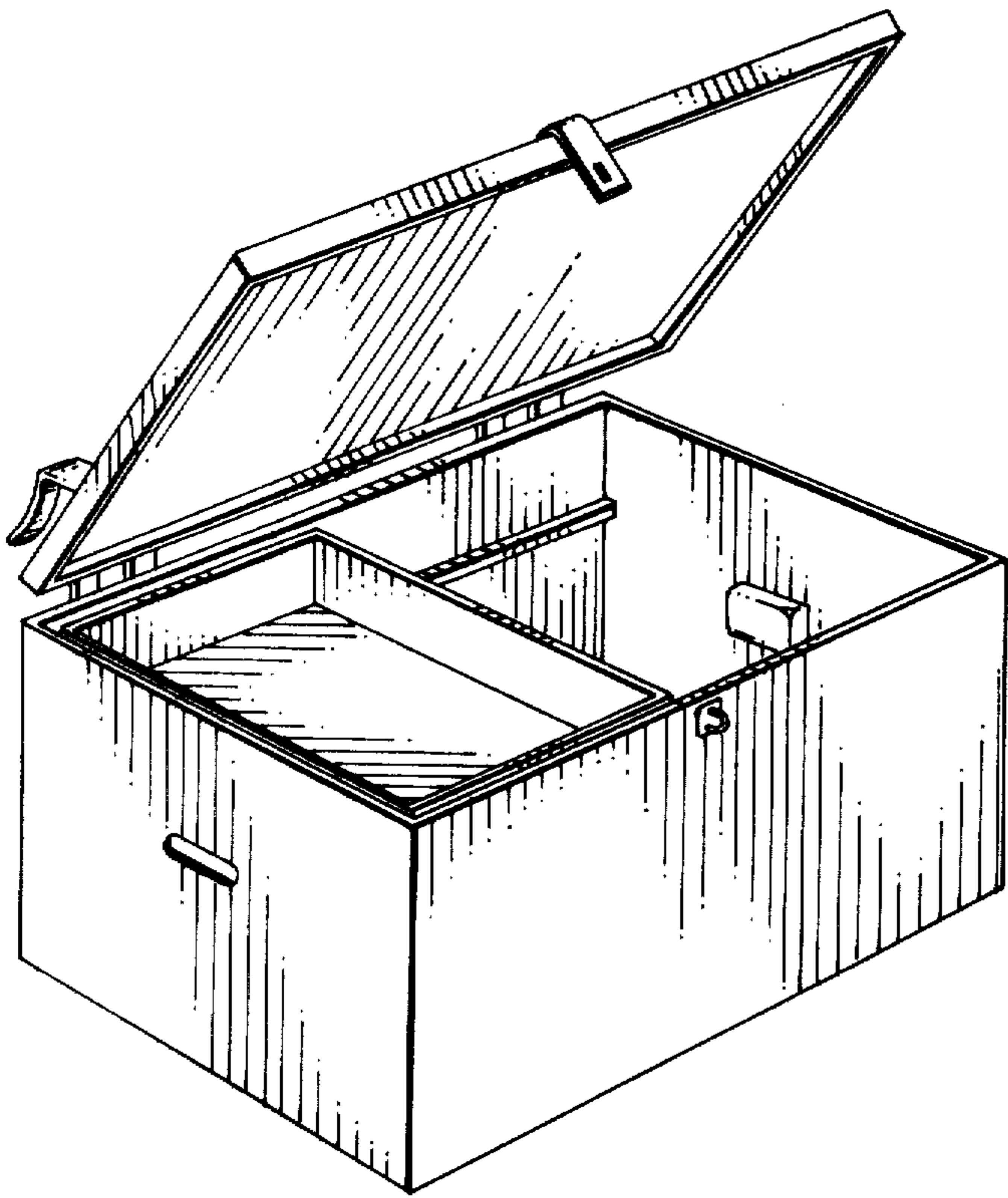


FIG. 1

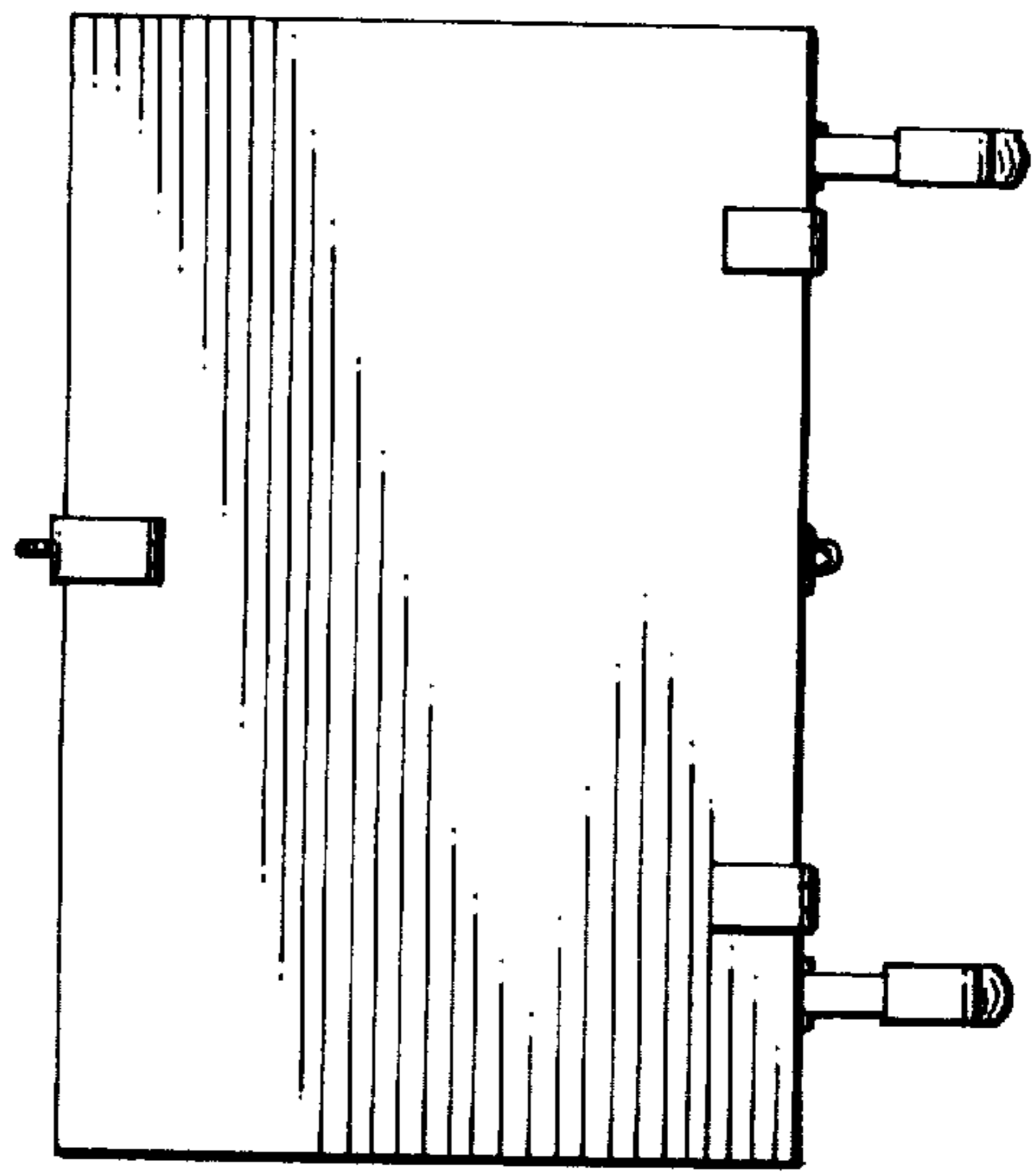


FIG. 3

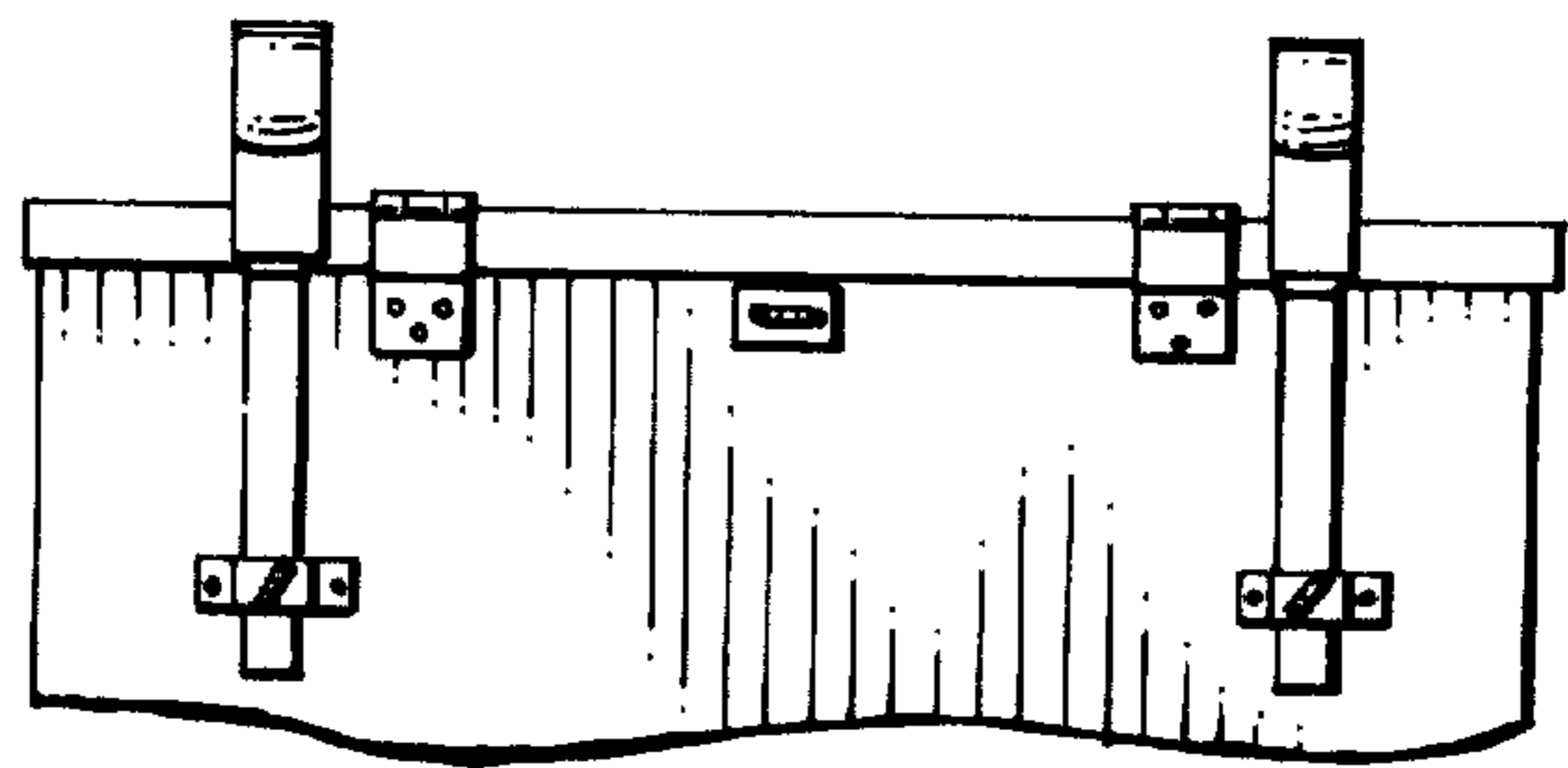


FIG. 5

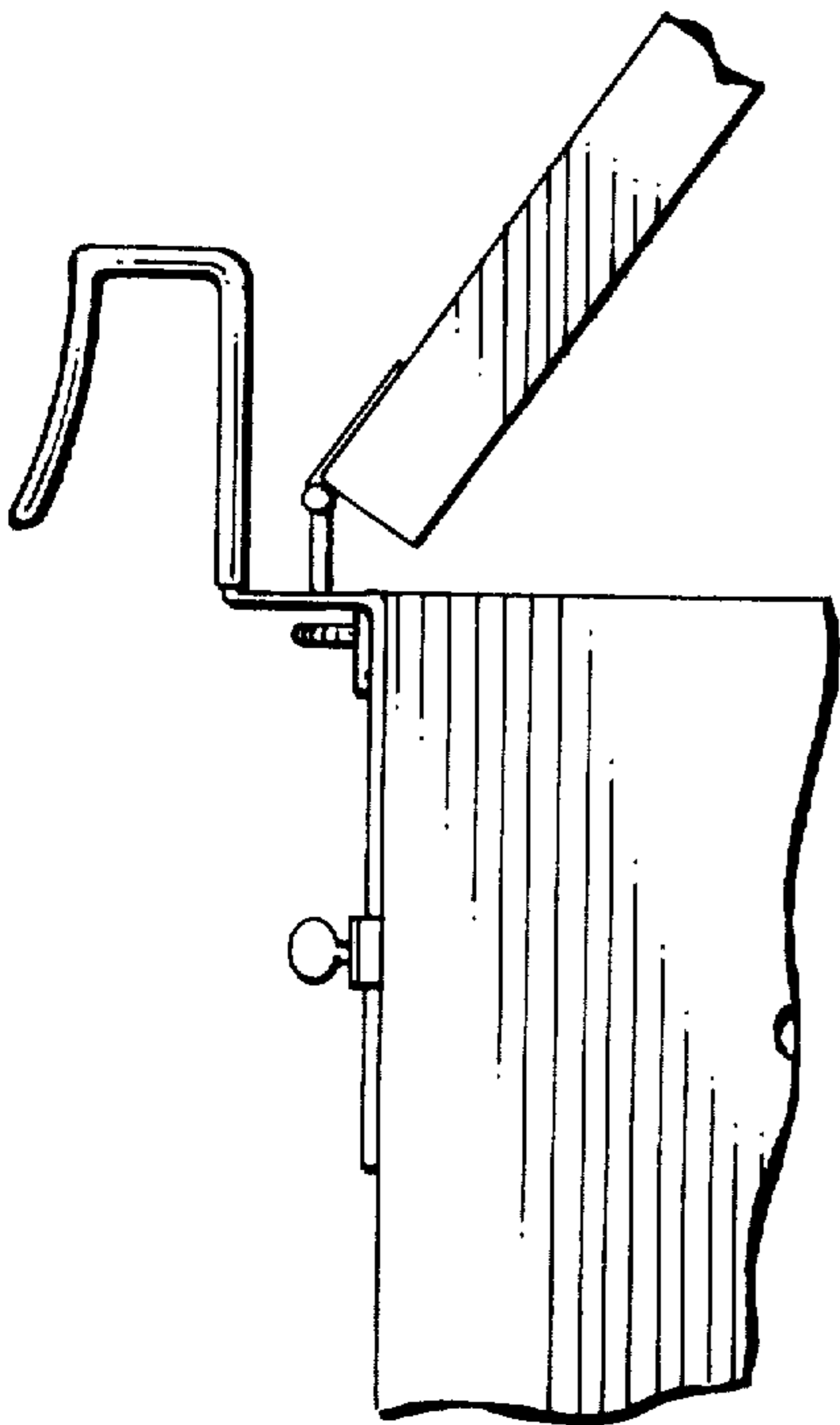


FIG. 4

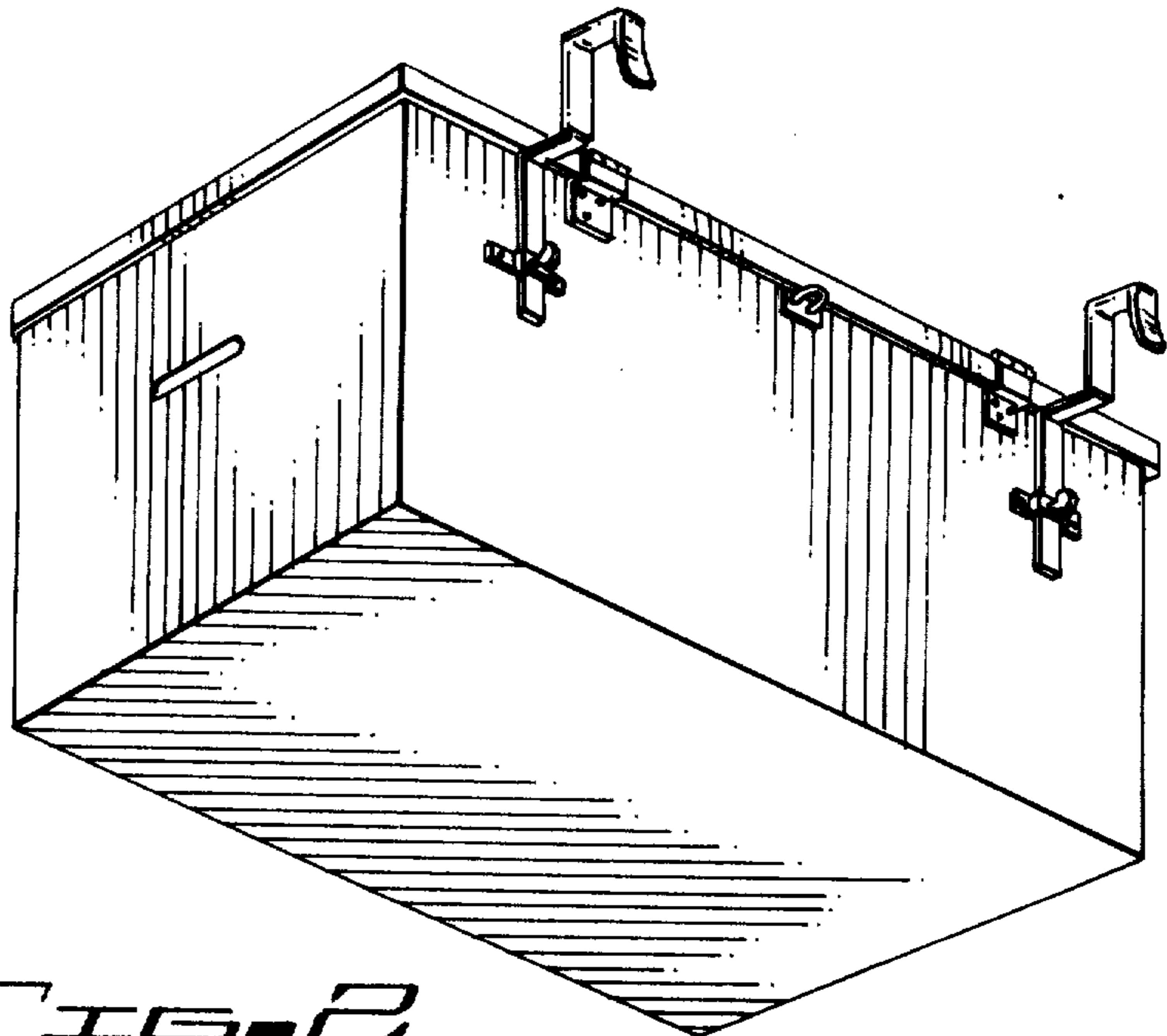


FIG. 2