

[54] RECORD WASHER OR SIMILAR ARTICLE

[75] Inventors: Dana W. Mox, Glenview; Charles M. Smith, Palatine; Craig J. Hudson, Crystal Lake, all of Ill.

[73] Assignee: Fidelitone, Inc.

[\*\*] Term: 14 Years

[21] Appl. No.: 605,622

[22] Filed: Aug. 18, 1975

[51] Int. Cl. .... D7-05

[52] U.S. Cl. .... D7/161

[58] Field of Search ..... D7/161; 274/4.7

[56] References Cited

U.S. PATENT DOCUMENTS

2,121,307	6/1938	1938 Swift	15/160 UX
3,005,223	10/1961	Taylor et al.	274/47 X
3,150,401	9/1964	Taylor et al.	274/47 X
3,401,708	9/1968	Henes	274/47 X
3,534,425	10/1970	Watts	15/160

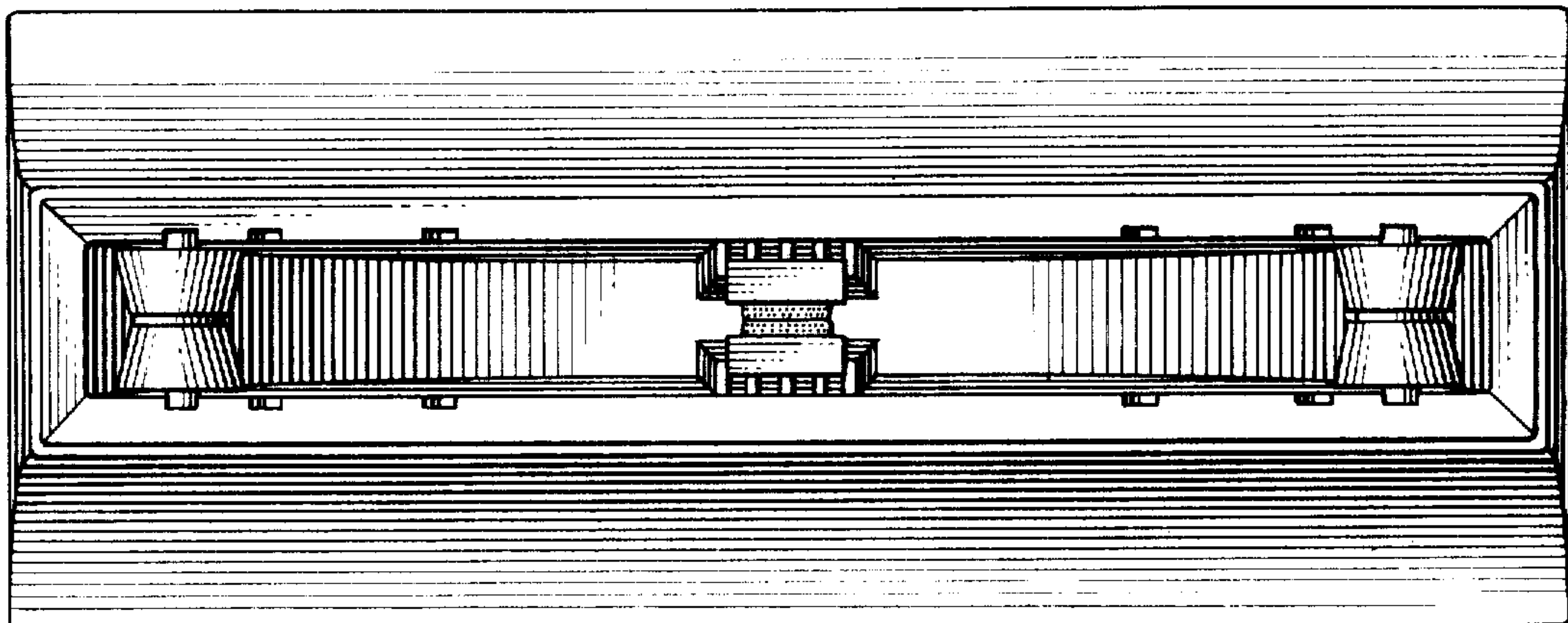
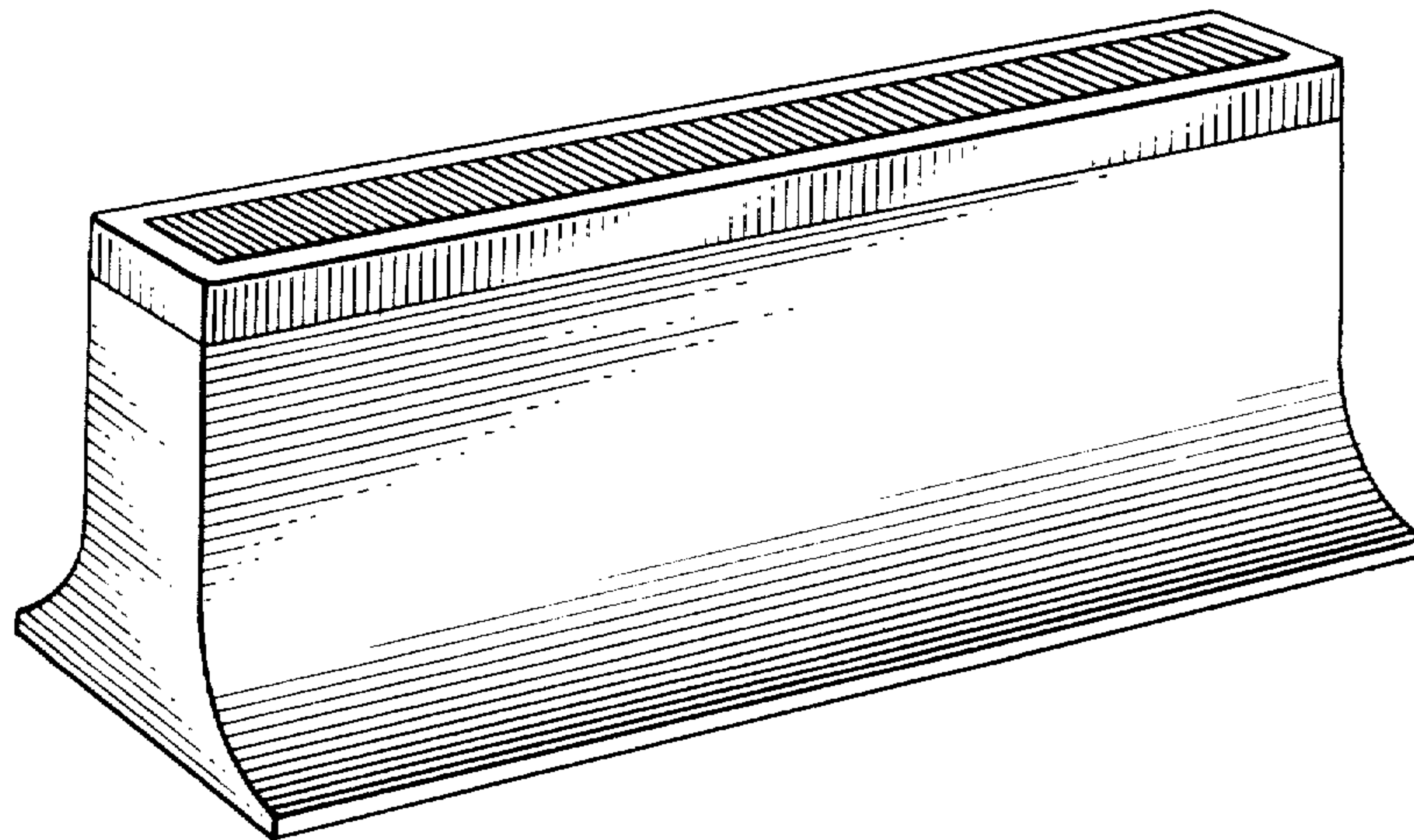
Primary Examiner—Wallace R. Burke  
Assistant Examiner—Catherine Kemper  
Attorney, Agent, or Firm—Richard D. Mason

[57] CLAIM

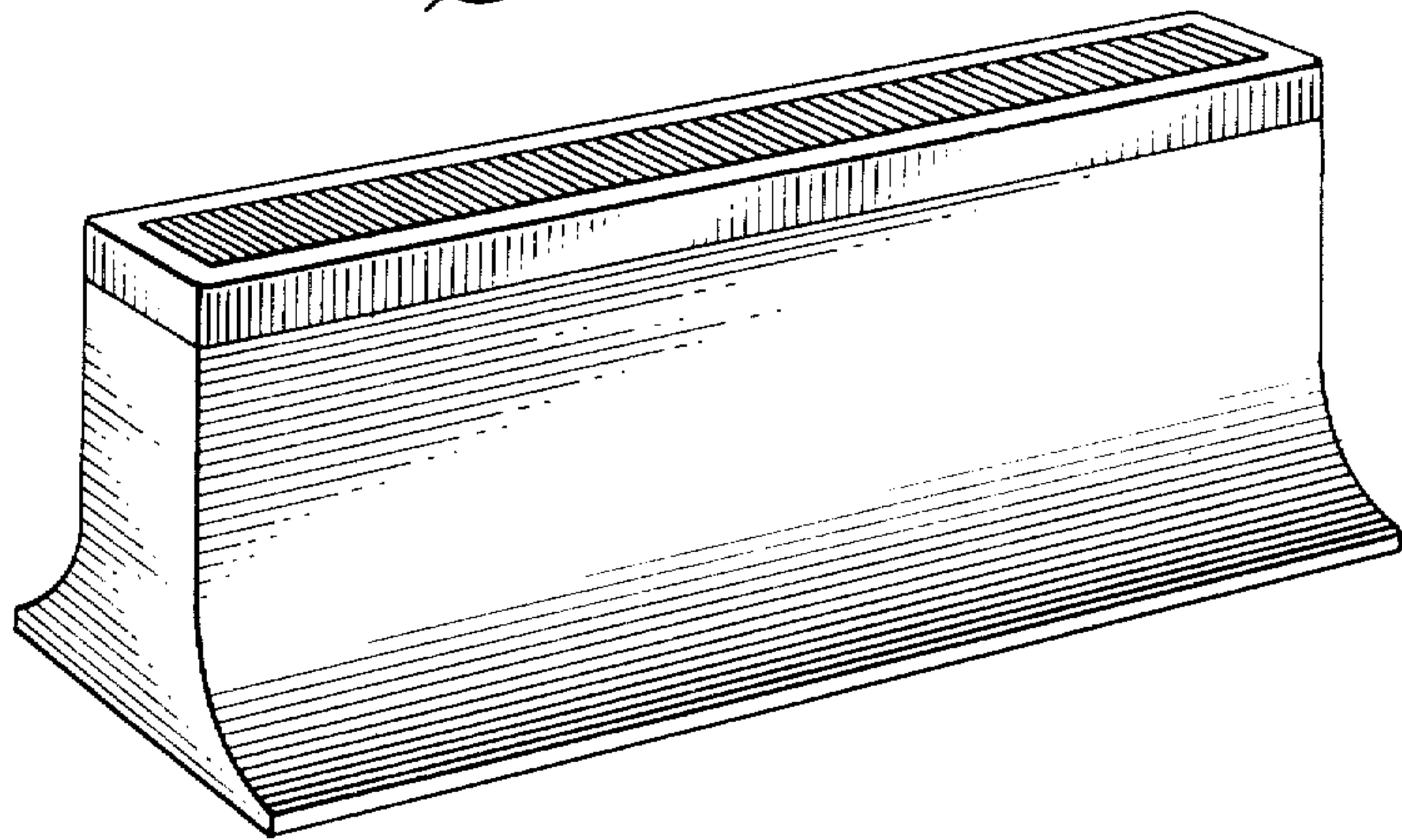
The ornamental design for a record washer or similar article, substantially as shown and described.

DESCRIPTION

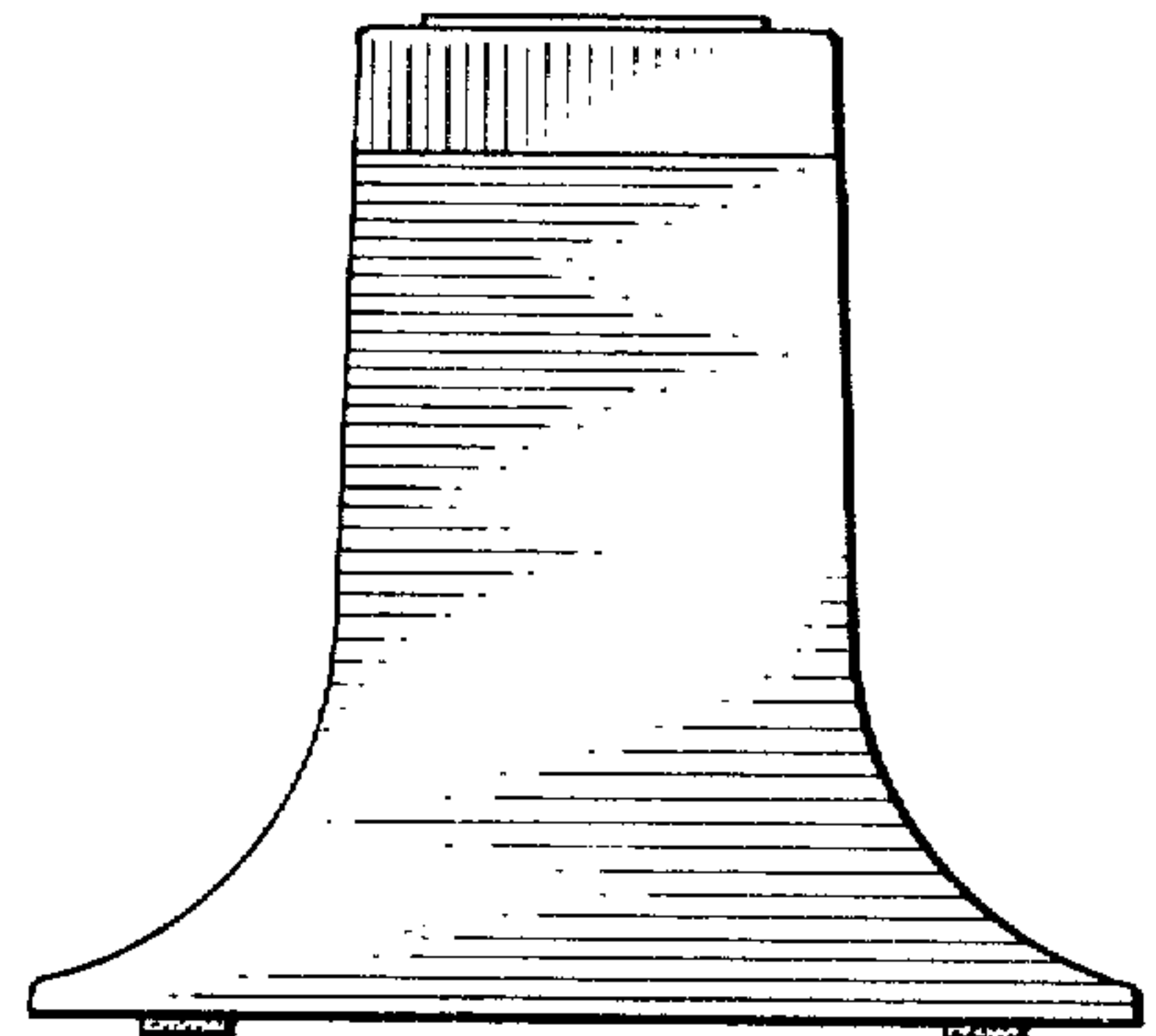
FIG. 1 is a perspective view of a record washer or similar article with the cover in place embodying our new design;  
FIG. 2 is a side elevation view thereof;  
FIG. 3 is a top plan view thereof;  
FIG. 4 is a front elevation view thereof;  
FIG. 5 is a bottom plan view thereof;  
FIG. 6 is a perspective view of the record washer or similar article with the cover removed;  
FIG. 7 is a side plan view thereof; and  
FIG. 8 is a top elevation view thereof.  
The broken line disclosure of the record in FIG. 6 is for illustrative purposes only and forms no part of the claimed design.



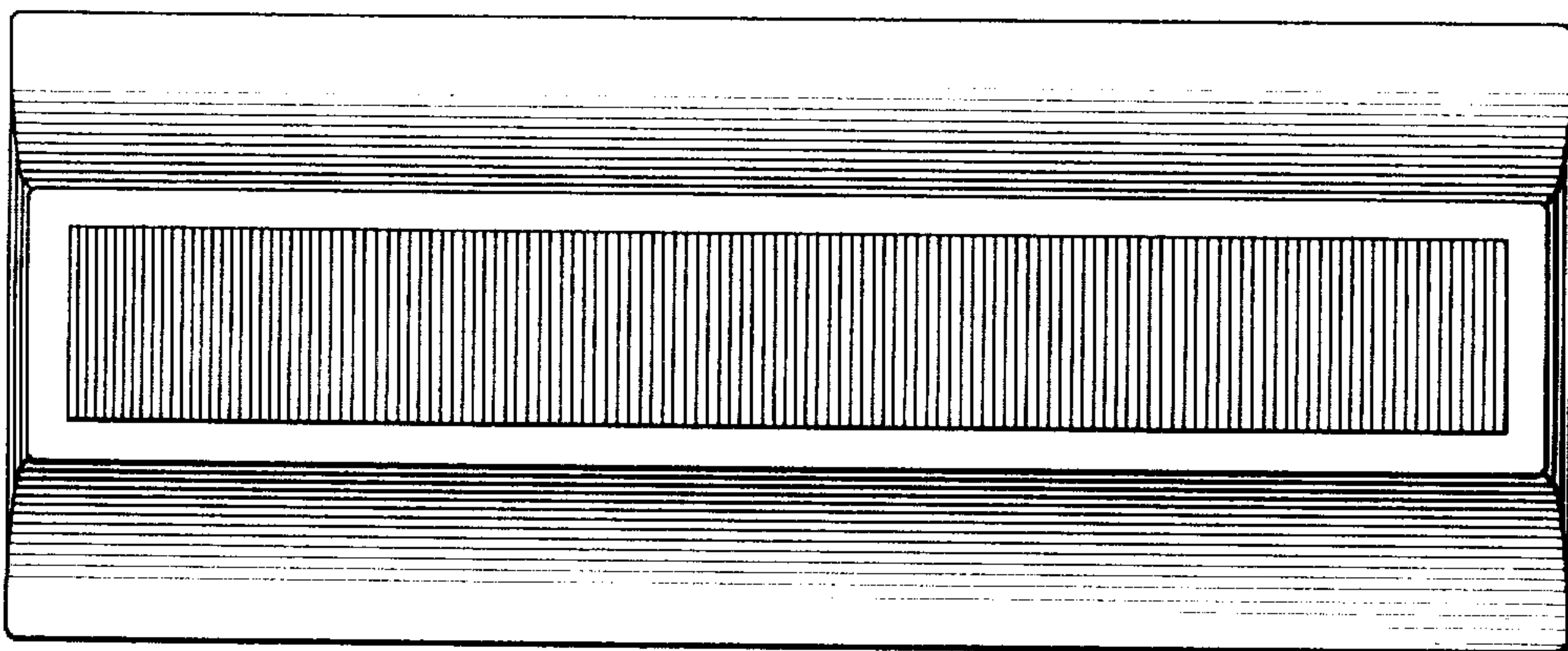
*Fig. 1*



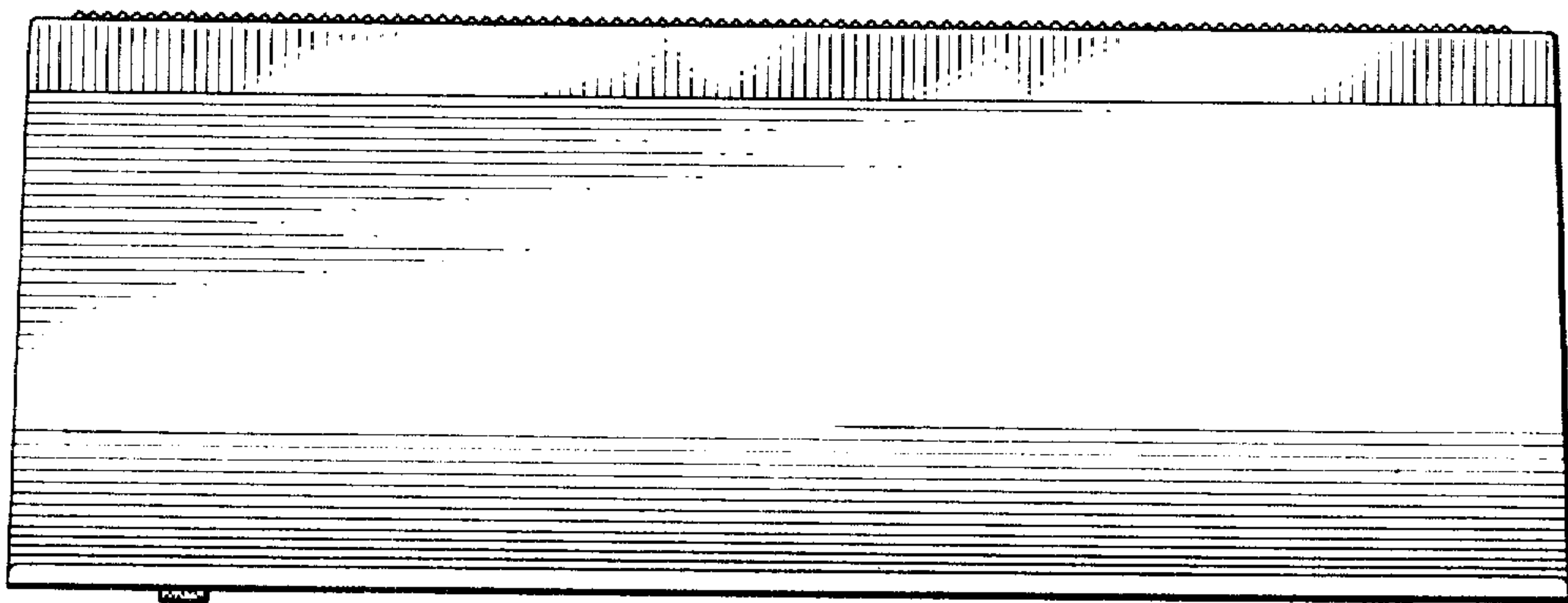
*Fig. 2*



*Fig. 3*

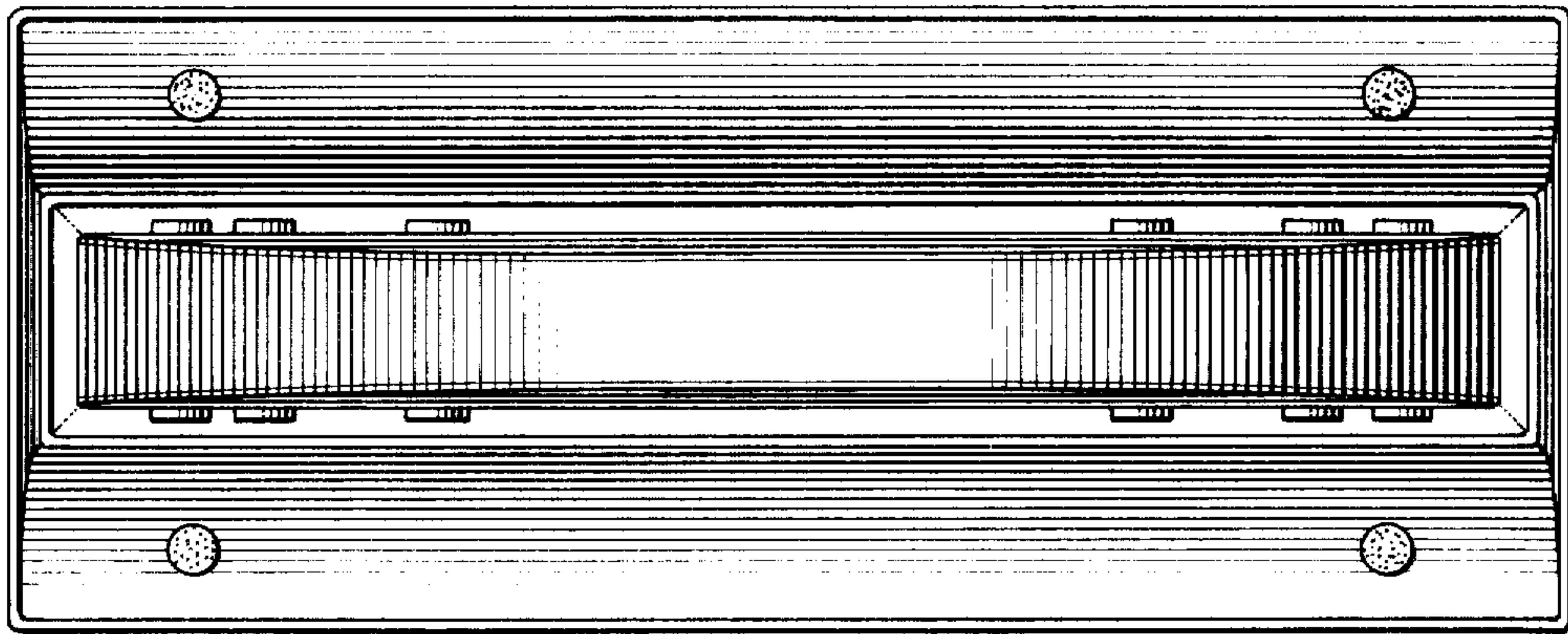


*Fig. 4*

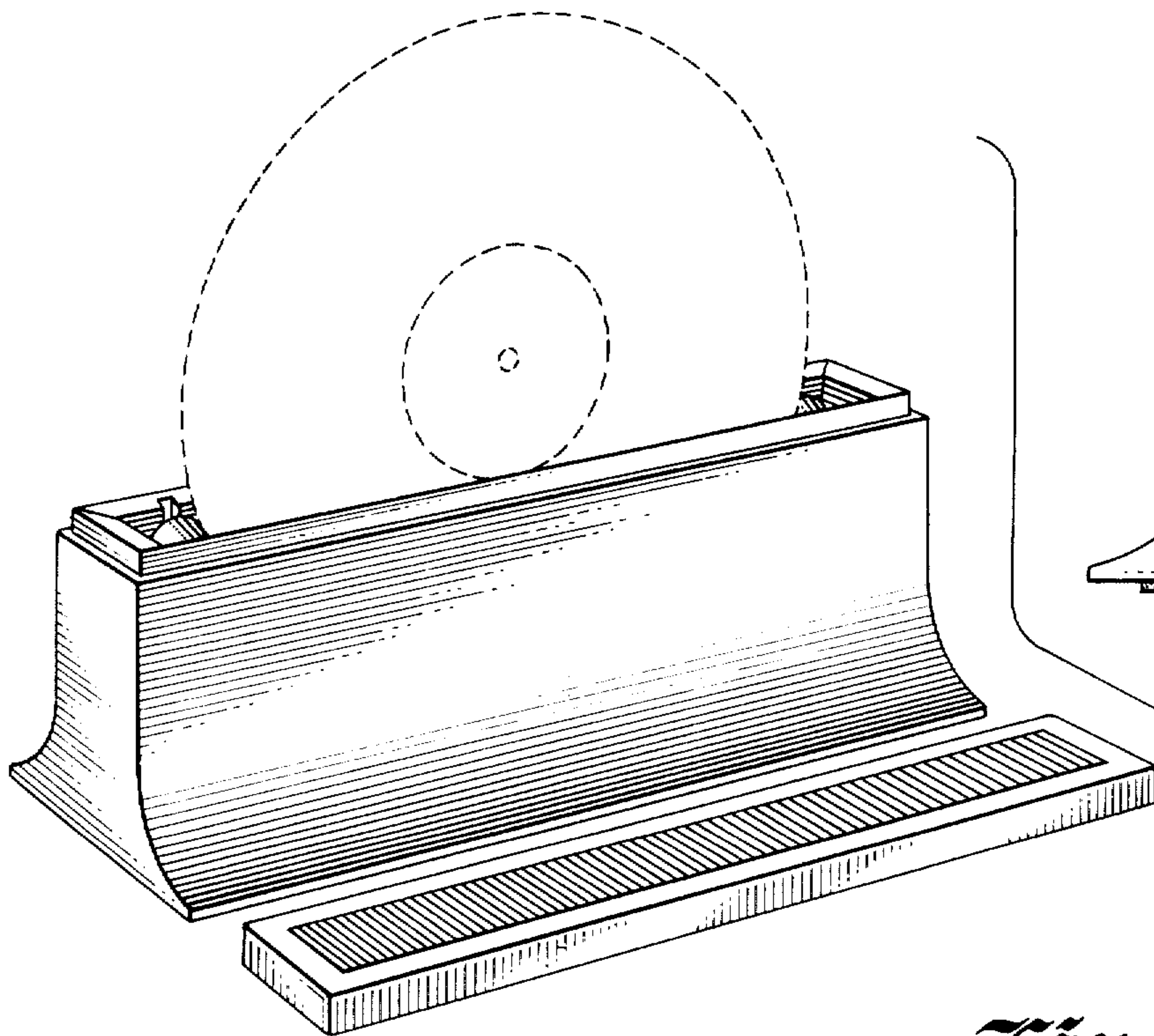
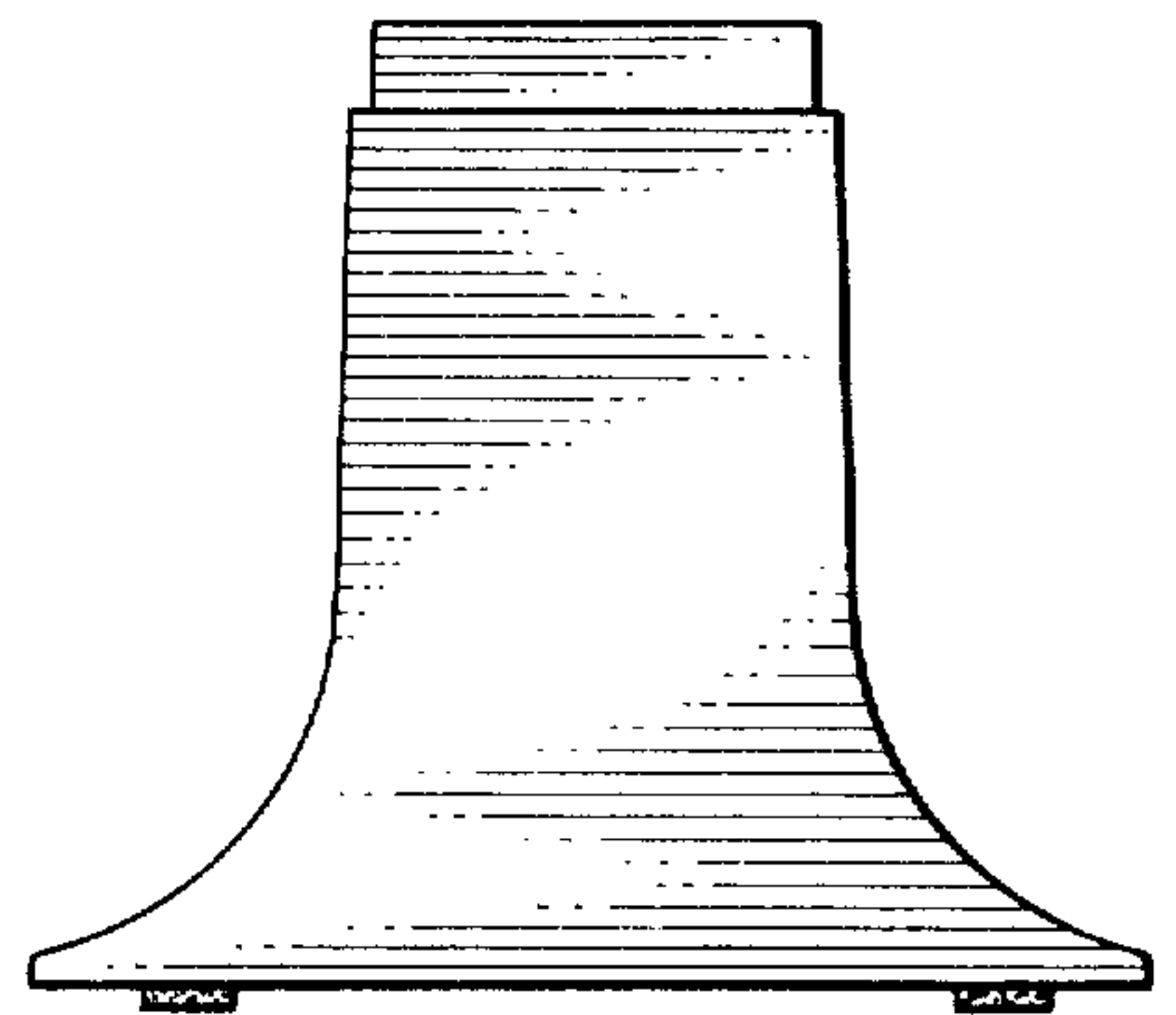




*Fig. 5*



*Fig. 7*



*Fig. 6*

*Fig. 8*

