

[54] PICTURE FRAME

[76] Inventor: Gary Lee Tharp, 20851 Assiniboine Trail, Los Gatos, Calif. 95030

[**] Term: 14 Years

[21] Appl. No.: 511,805

[22] Filed: Oct. 3, 1974

[51] Int. Cl. D6-07

[52] U.S. Cl. D6/242

[58] Field of Search D6/232-246; 40/219, 300, 21 R, 21 A, 21 C, 152-152.1, 154, 155, 158 A, 157; D29/23 A, 23 R, 22

[56] References Cited

U.S. PATENT DOCUMENTS

2,841,903 7/1958 Christensen 40/152
D. 230,238 2/1974 Coda D6/241

FOREIGN PATENT DOCUMENTS

882,902 6/1943 France 40/152

OTHER PUBLICATIONS

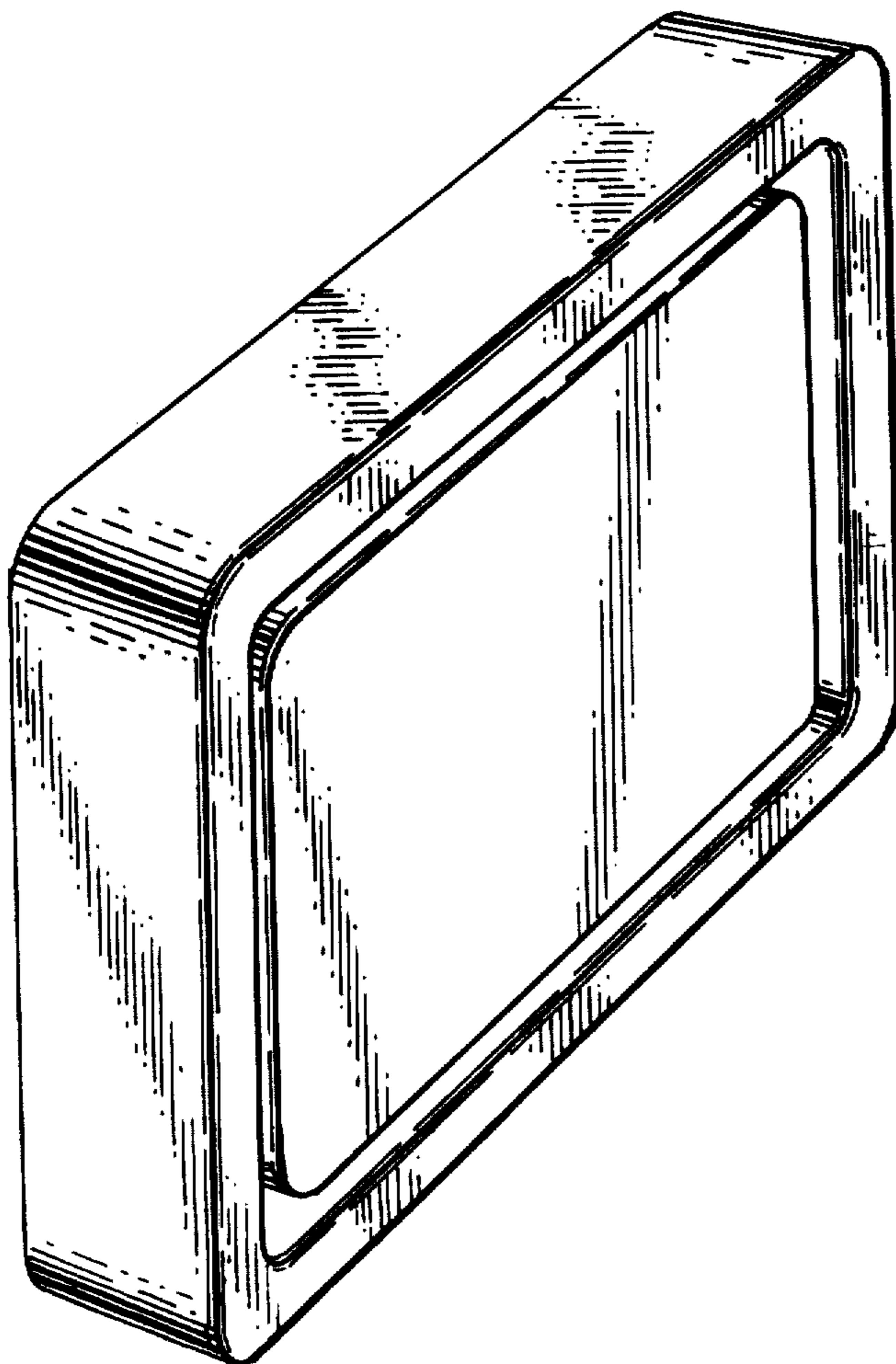
Gift & Art Buyer, Feb. 1955, p. 152.
Primary Examiner—Melvin B. Feifer
Assistant Examiner—C. A. Rademaker
Attorney, Agent, or Firm—Thomas E. Schatzel

[57] CLAIM

The ornamental design for a picture frame, substantially as shown and described.

DESCRIPTION

FIG. 1 is a front perspective view of a picture frame showing my new design;
FIG. 2 is a rear elevational view thereof; and
FIG. 3 is a cross-sectional view thereof taken on line 3-3 of FIG. 2.



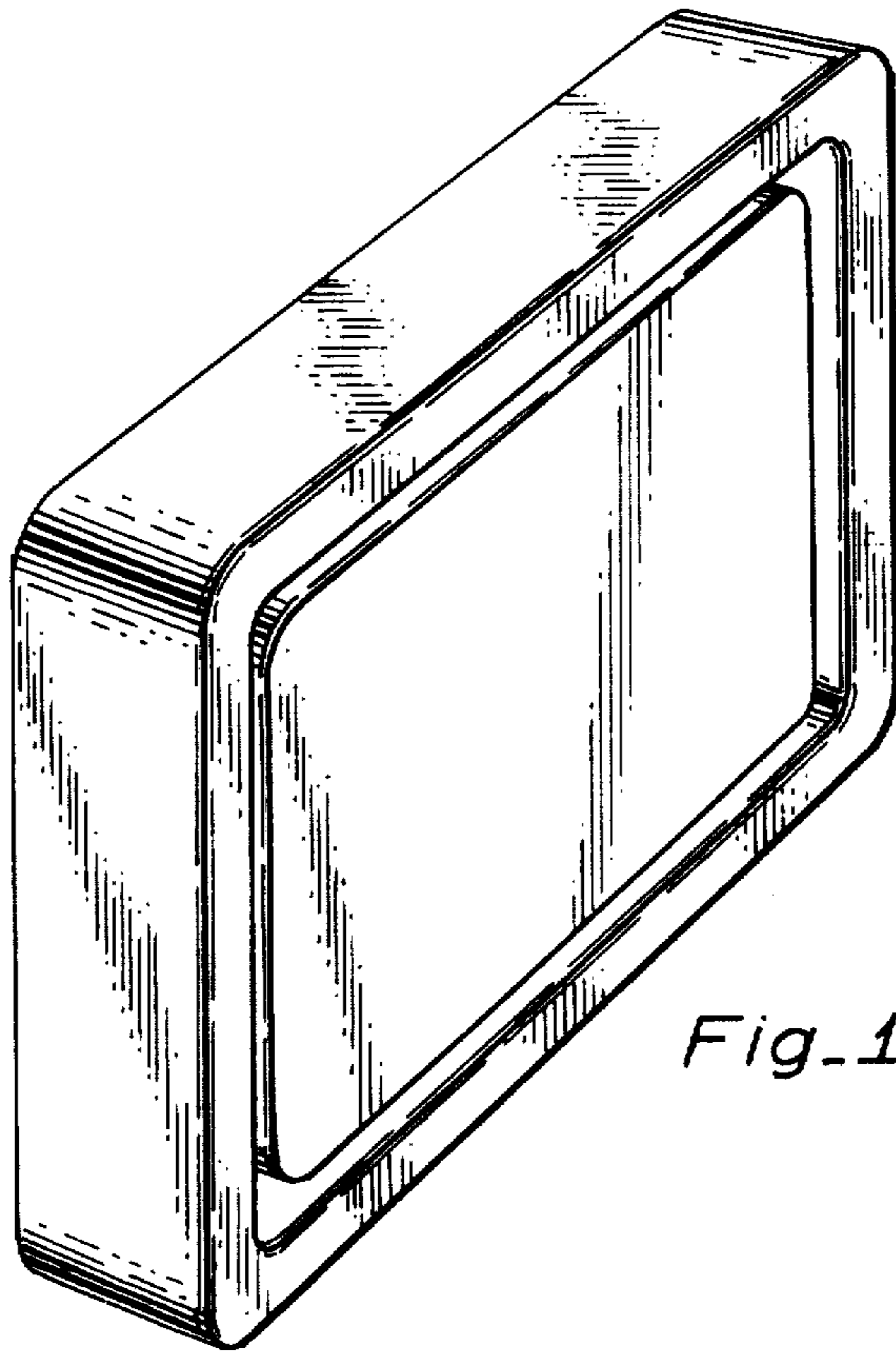


Fig. 1

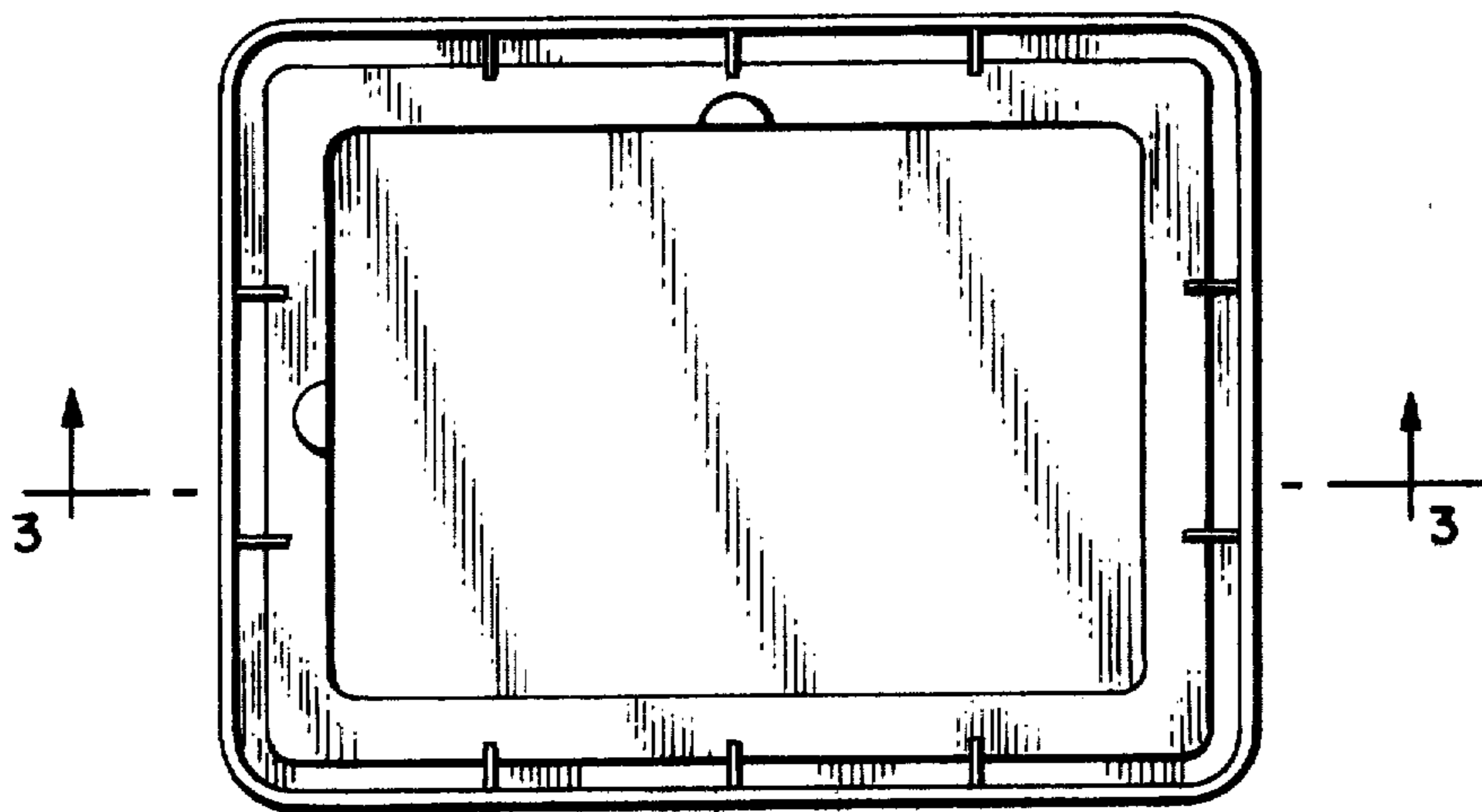


Fig. 2

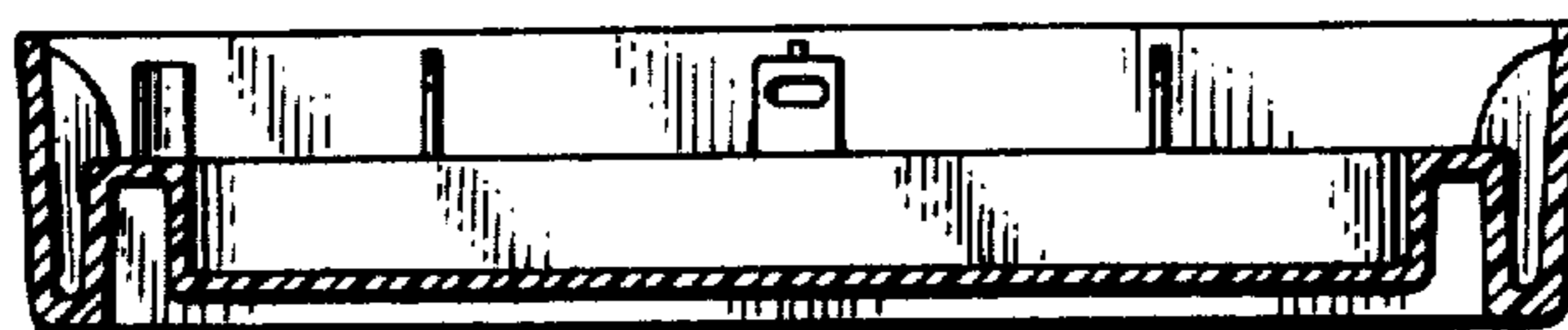


Fig. 3