

[54] TABLE

[75] Inventor: **Rupert A. Scott**, Van Nuys, Calif.

[73] Assignee: **Rowe Furniture Corporation**

[**] Term: **14 Years**

[21] Appl. No.: **594,941**

[22] Filed: **July 11, 1975**

[51] Int. Cl. **D6-03**

[52] U.S. Cl. **D6/175**

[58] Field of Search **D6/175, 177-179**

[56] **References Cited**

OTHER PUBLICATIONS

Industrial Design, June 1971, p. 37.

Interiors, Apr. 1961, p. 122.

Primary Examiner—**Bruce W. Dunkins**

Attorney, Agent, or Firm—**Ronald D. Cohn**

[57] **CLAIM**

The ornamental design for a table, substantially as shown and described.

DESCRIPTION

FIG. 1 is a perspective view of my invention shown in the form of a lamp table;

FIG. 2 is an end view of the table illustrated in FIG. 1;

FIG. 3 is a top plan view of the table illustrated in FIG. 1;

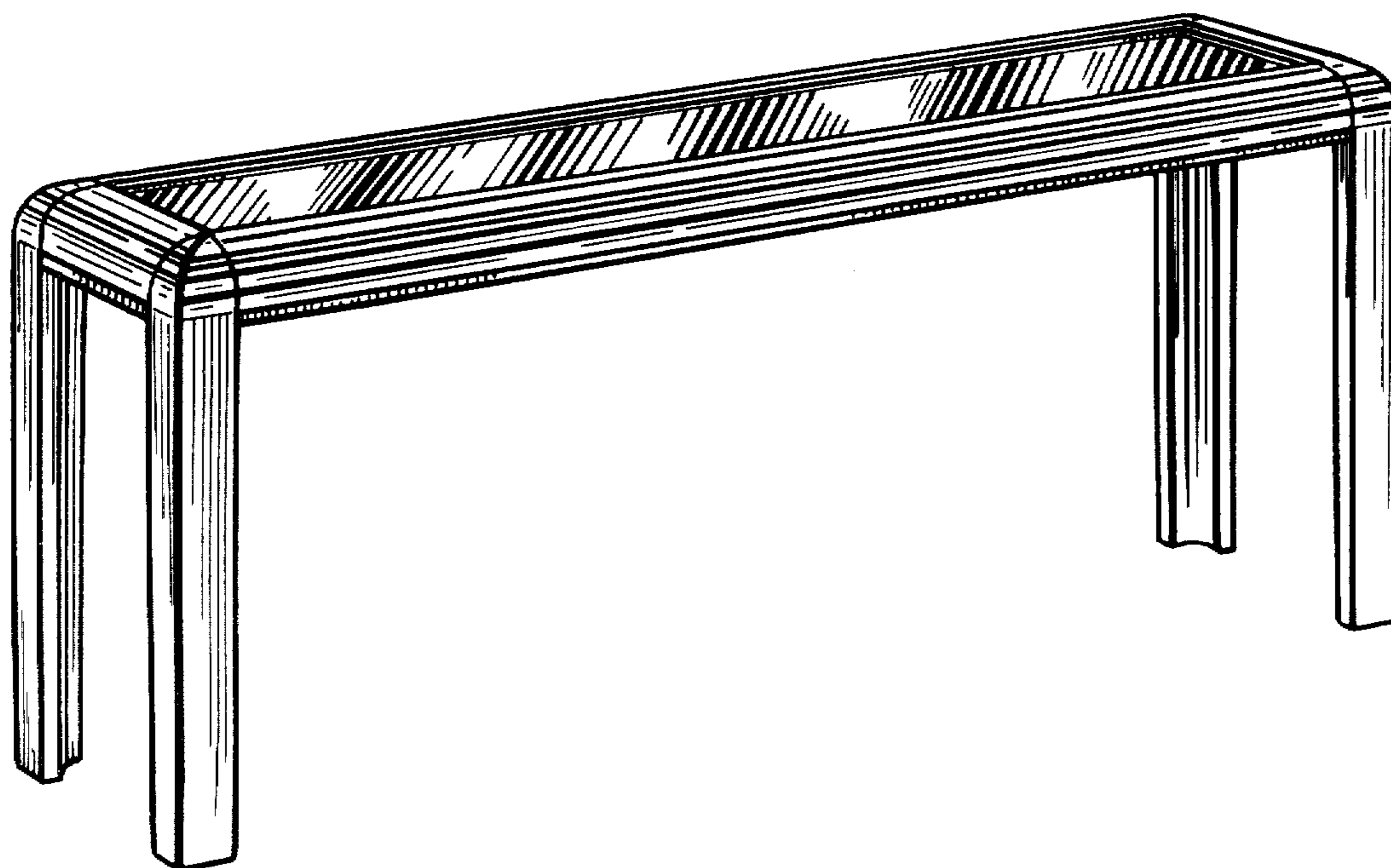
FIG. 4 is a perspective view of the table illustrated in FIG. 1, shown in the form of a sofa table;

FIG. 5 is a perspective view of the table illustrated in FIG. 1, shown in the form of a rectangular cocktail table;

FIG. 6 is a perspective view of the table illustrated in FIG. 1, shown in the form of an end table; and

FIG. 7 is a perspective view of the table illustrated in FIG. 1, shown in the form of a square cocktail table.

The ends of the tables not shown are identical to those which are shown.



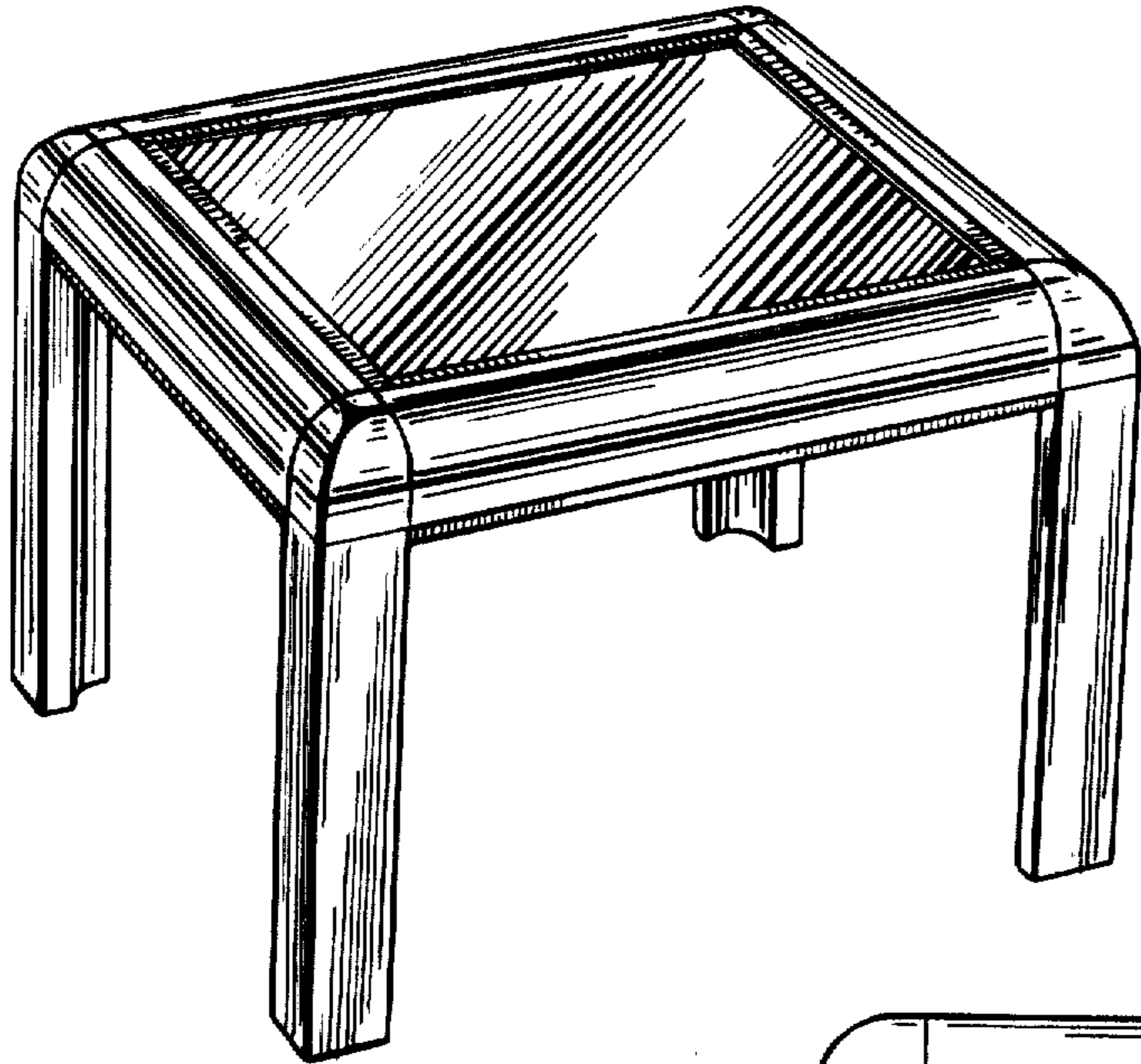


FIG. 1

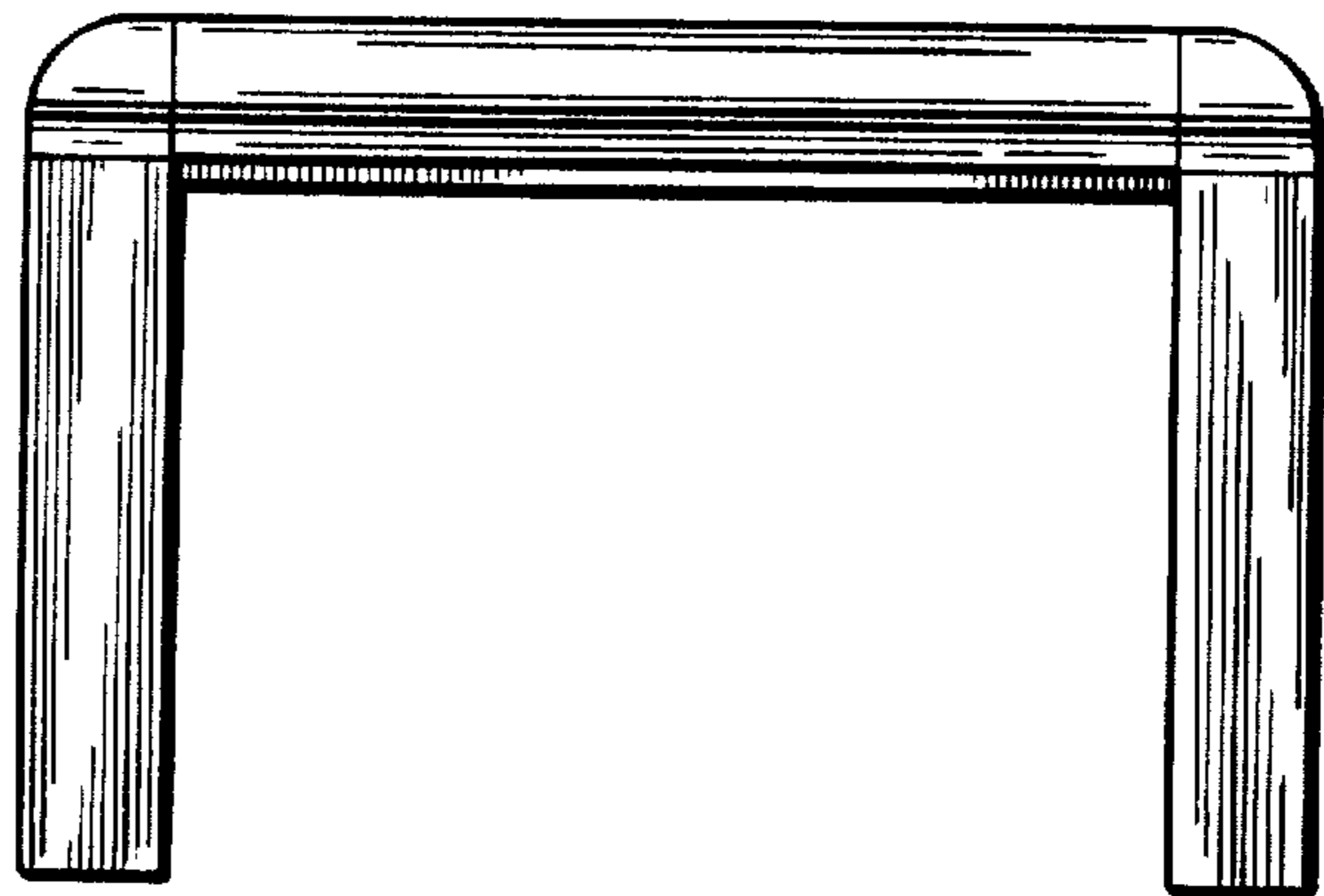


FIG. 2

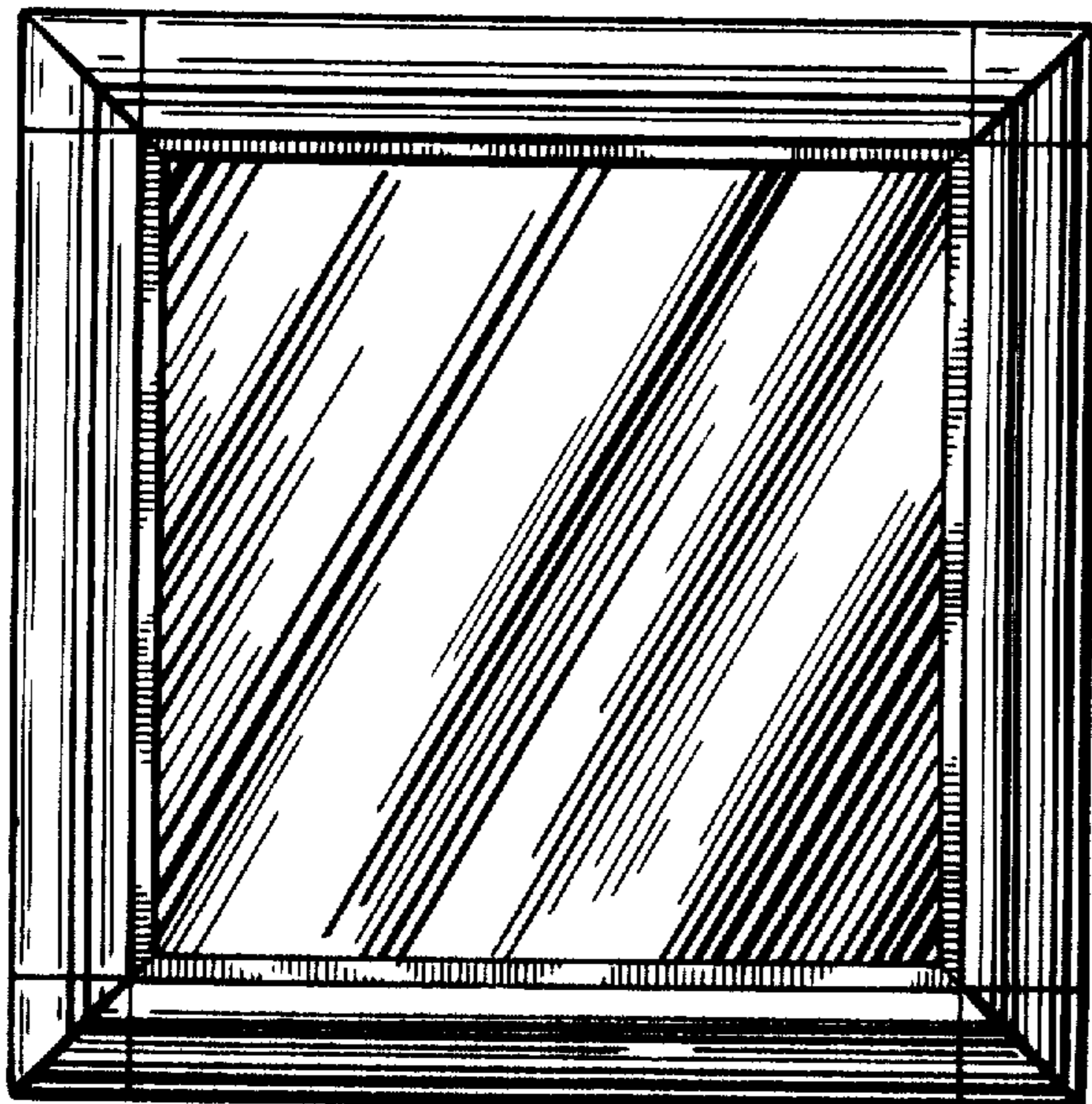


FIG. 3

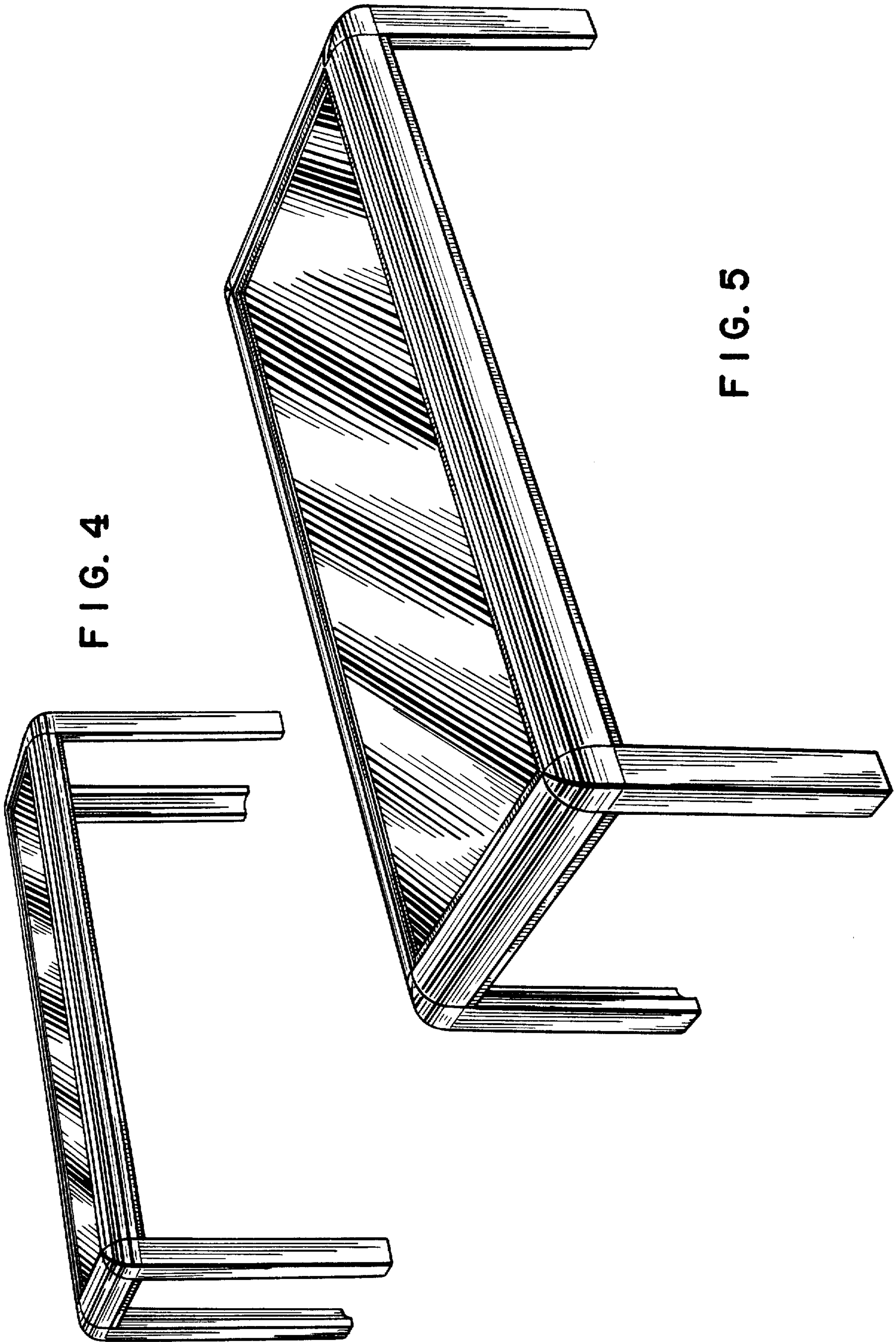


FIG. 4

FIG. 5

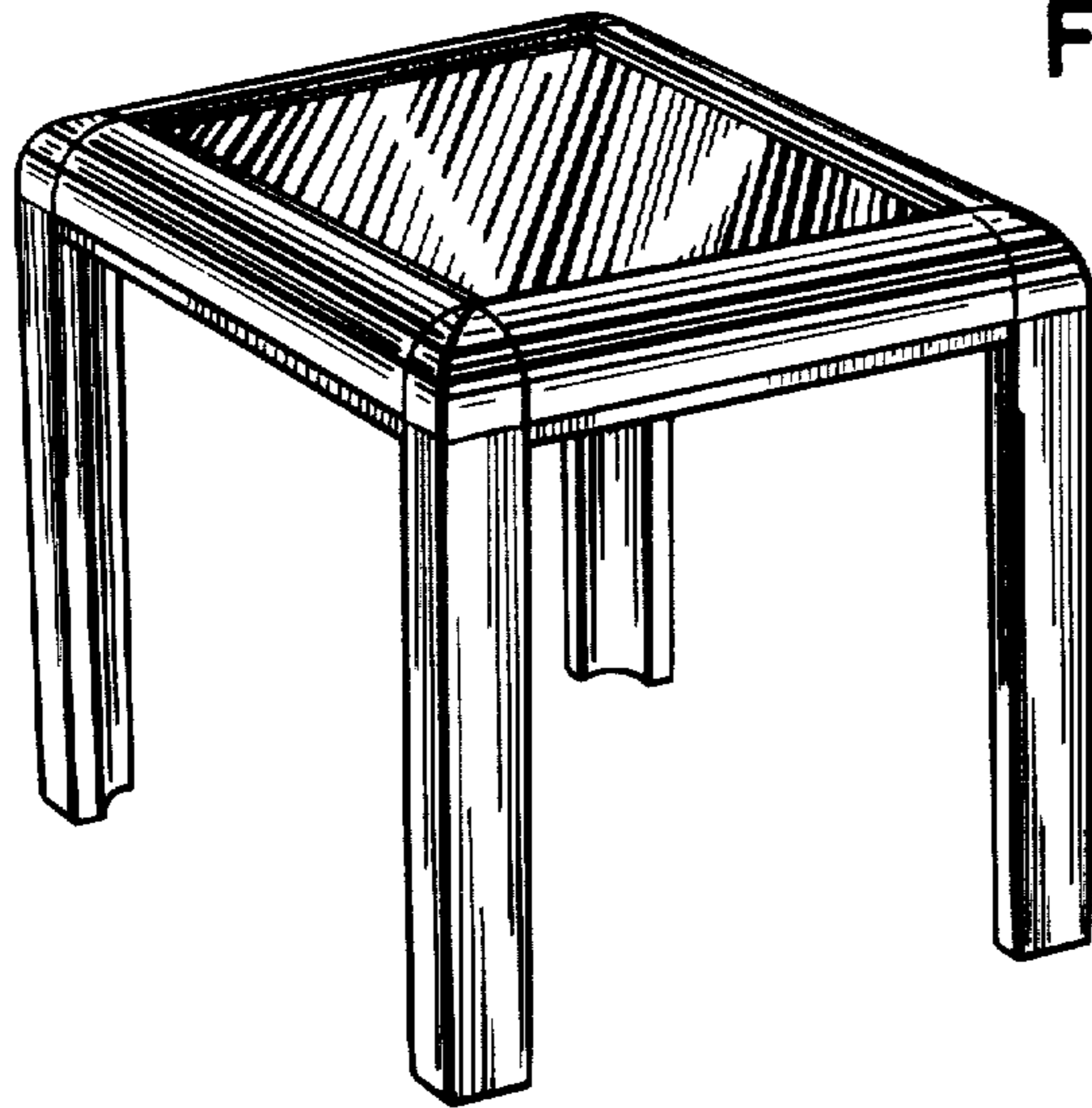


FIG. 6

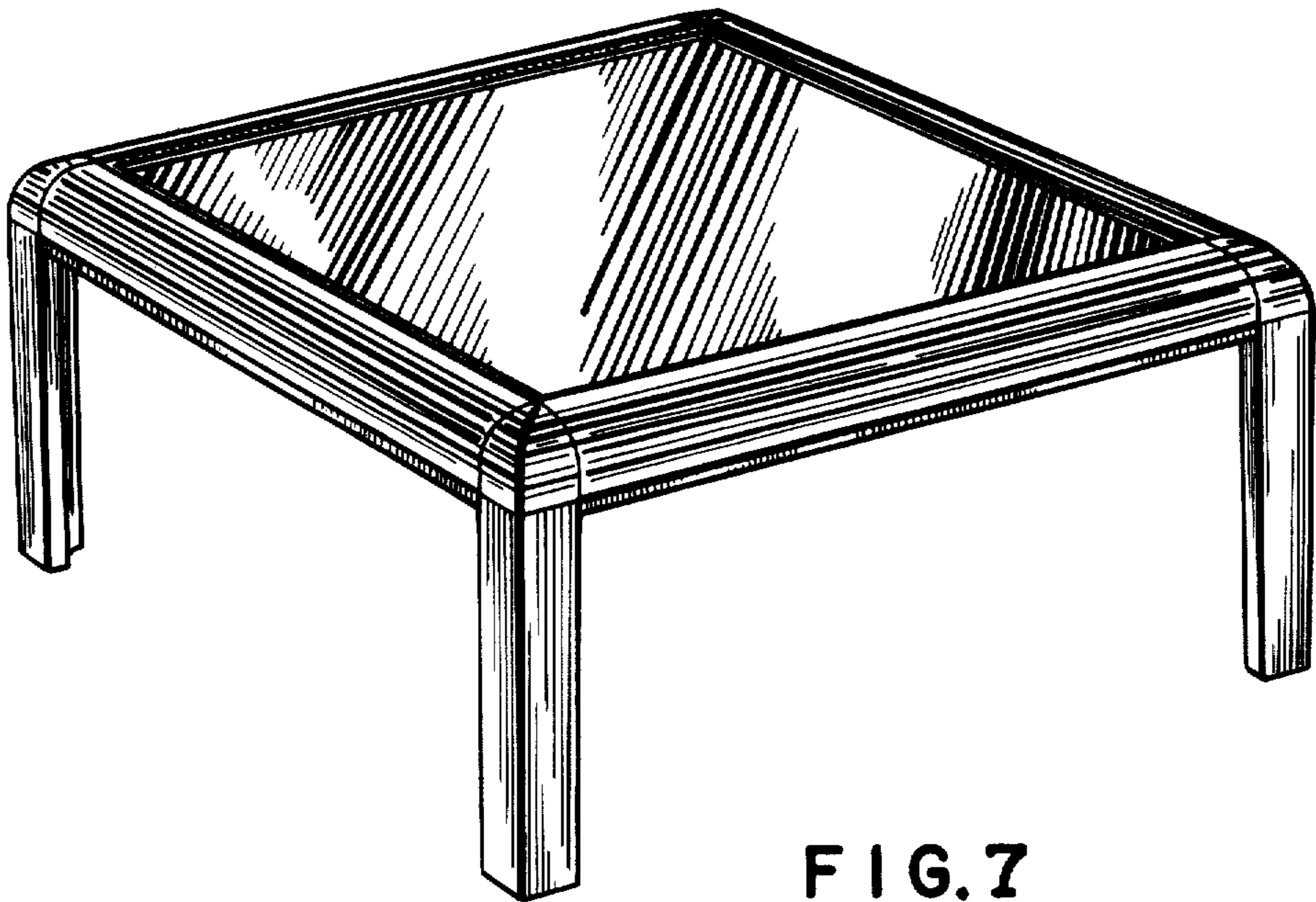


FIG. 7