

[54] CHAIR

[76] Inventors: Robert J. Denny, 56 High St., Gardner, Mass. 01440; Richard D. Horowitz, 180 Beacon St., Boston, Mass. 02116

[**] Term: 14 Years

[21] Appl. No.: 582,581

[22] Filed: June 2, 1975

[51] Int. Cl. D6-01

[52] U.S. Cl. D6/26

[58] Field of Search D6/37-39, D6/47-58

[56] References Cited

U.S. PATENT DOCUMENTS

3,606,460	9/1971	Shannon	D6/71	X
3,695,691	10/1972	Putnam	D6/71	X

D. 184,993	4/1959	Foulkes	D6/63
D. 230,918	3/1974	Andrus	D6/26
D. 231,880	6/1974	Weinstock	D6/26

OTHER PUBLICATIONS

Institutions Magazine, Jan. 1, 1972, p. 45, Chair top of page, by Cambro.

Primary Examiner—Bruce W. Dunkins
Attorney, Agent, or Firm—Robert L. Thompson

[57] CLAIM

The ornamental design for a chair, as shown.

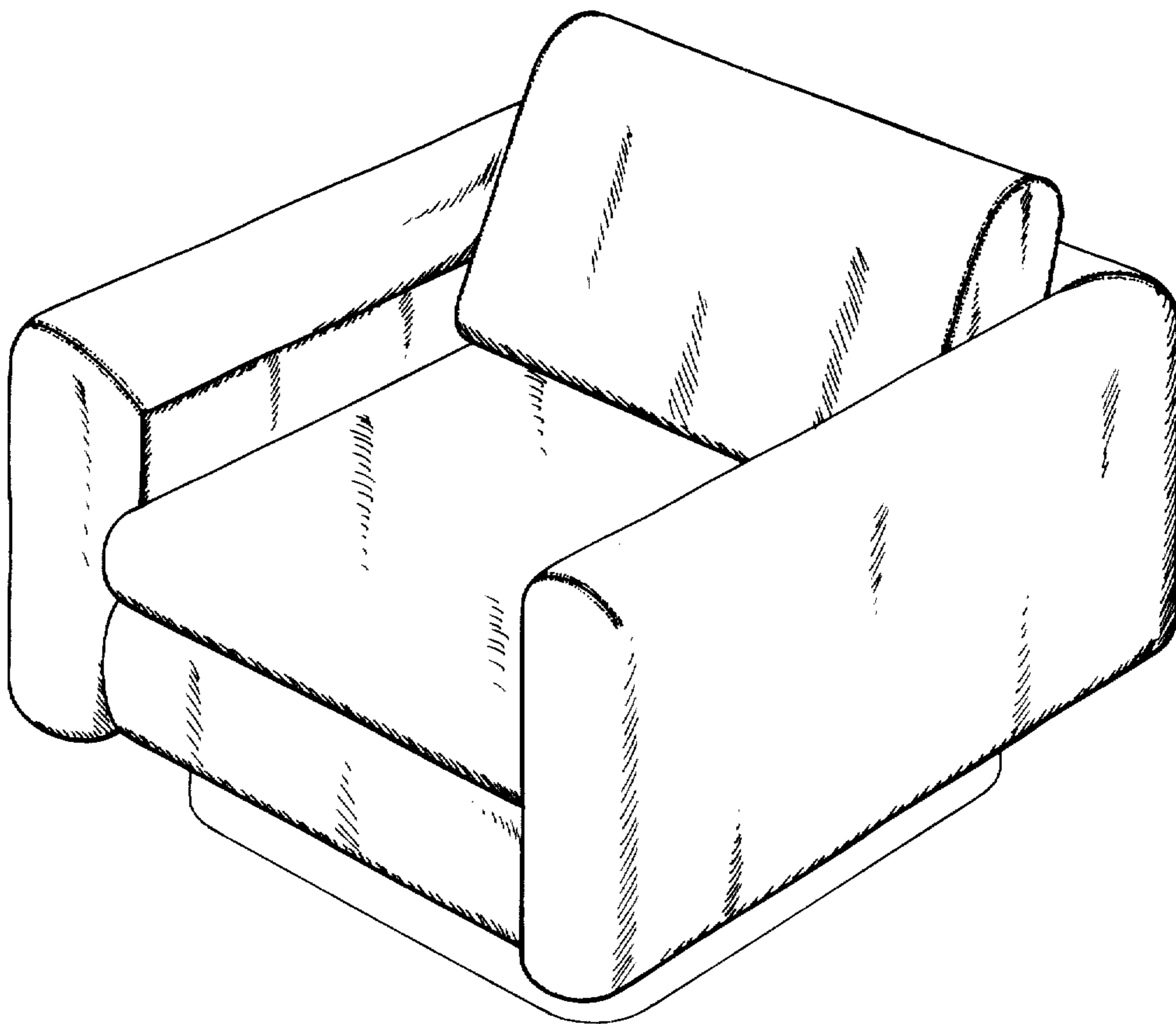
DESCRIPTION

FIG. 1 is a front perspective view of a chair showing our design;

FIG. 2 is a rear view in perspective of the chair;

FIG. 3 is a bottom view of the chair; and,

FIG. 4 is a plan view of the chair.



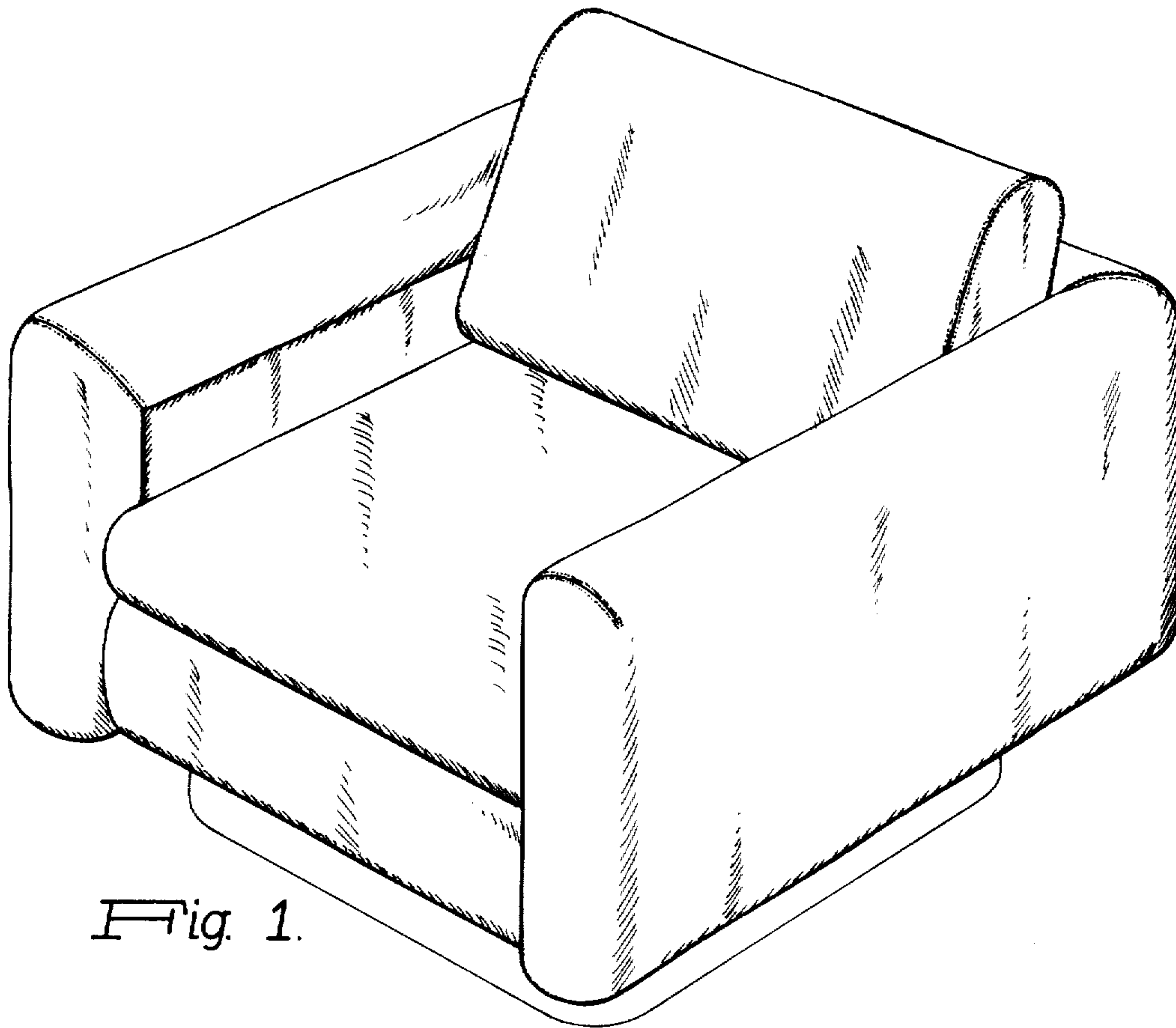


Fig. 1.

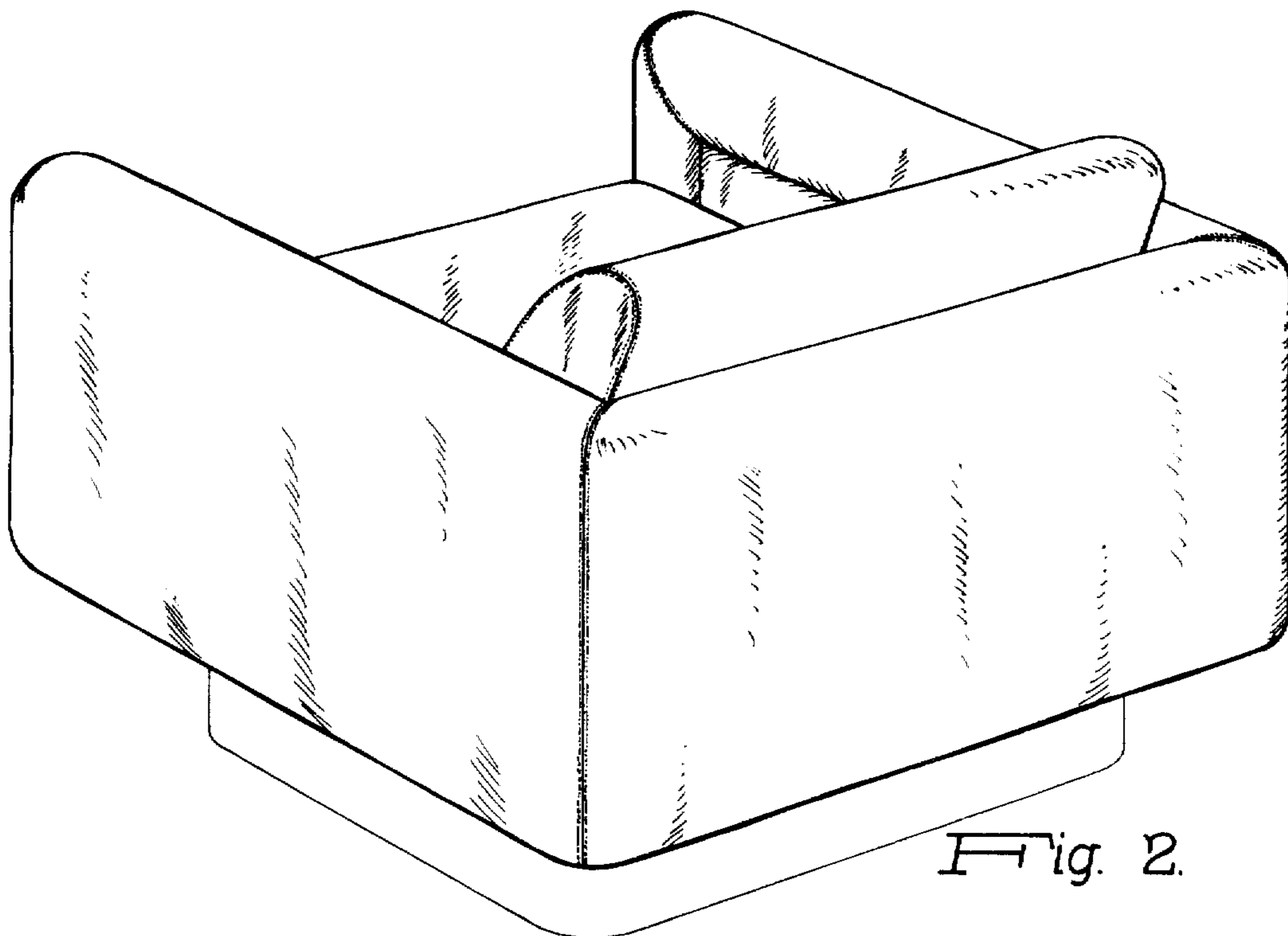


Fig. 2.

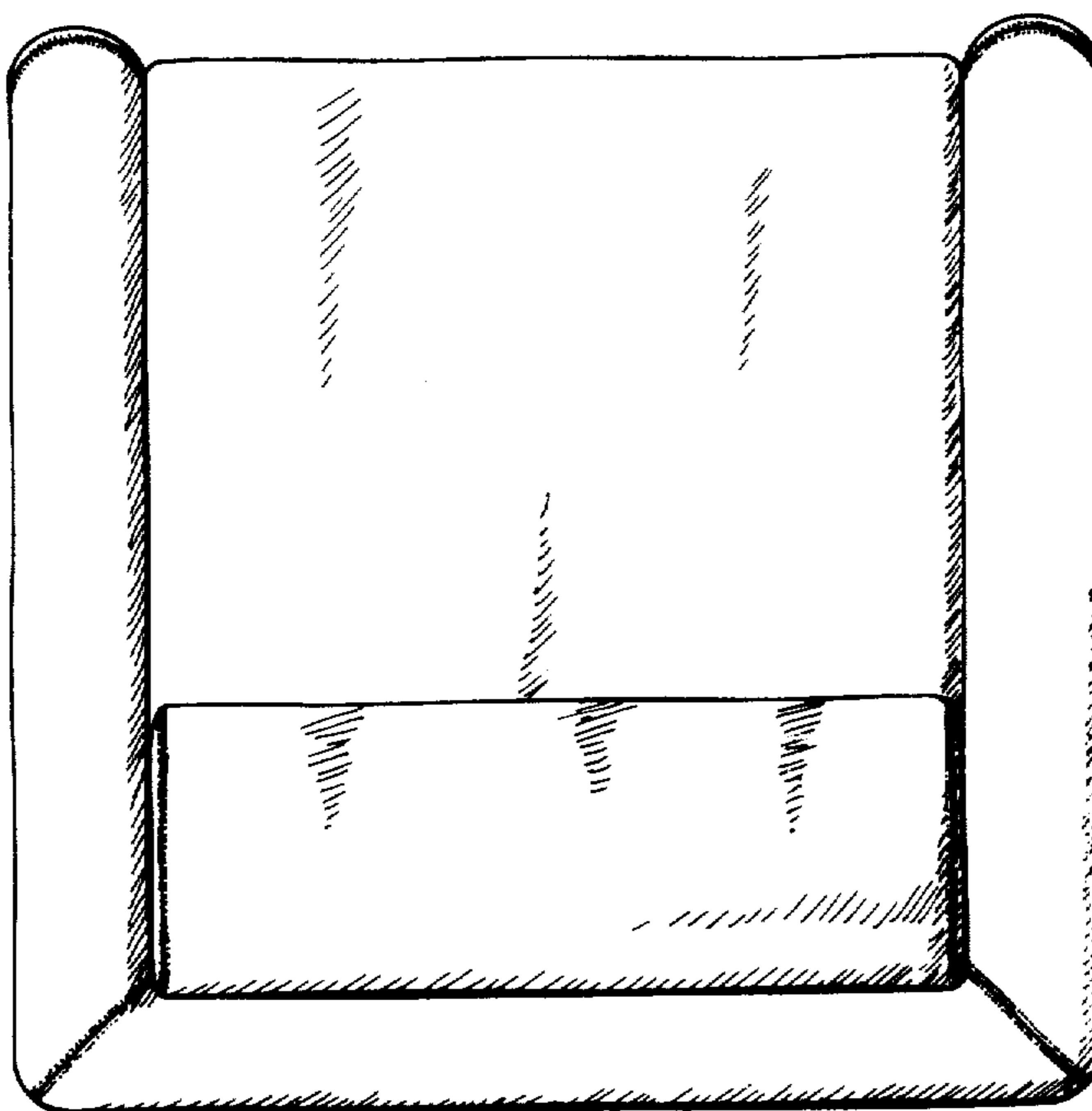
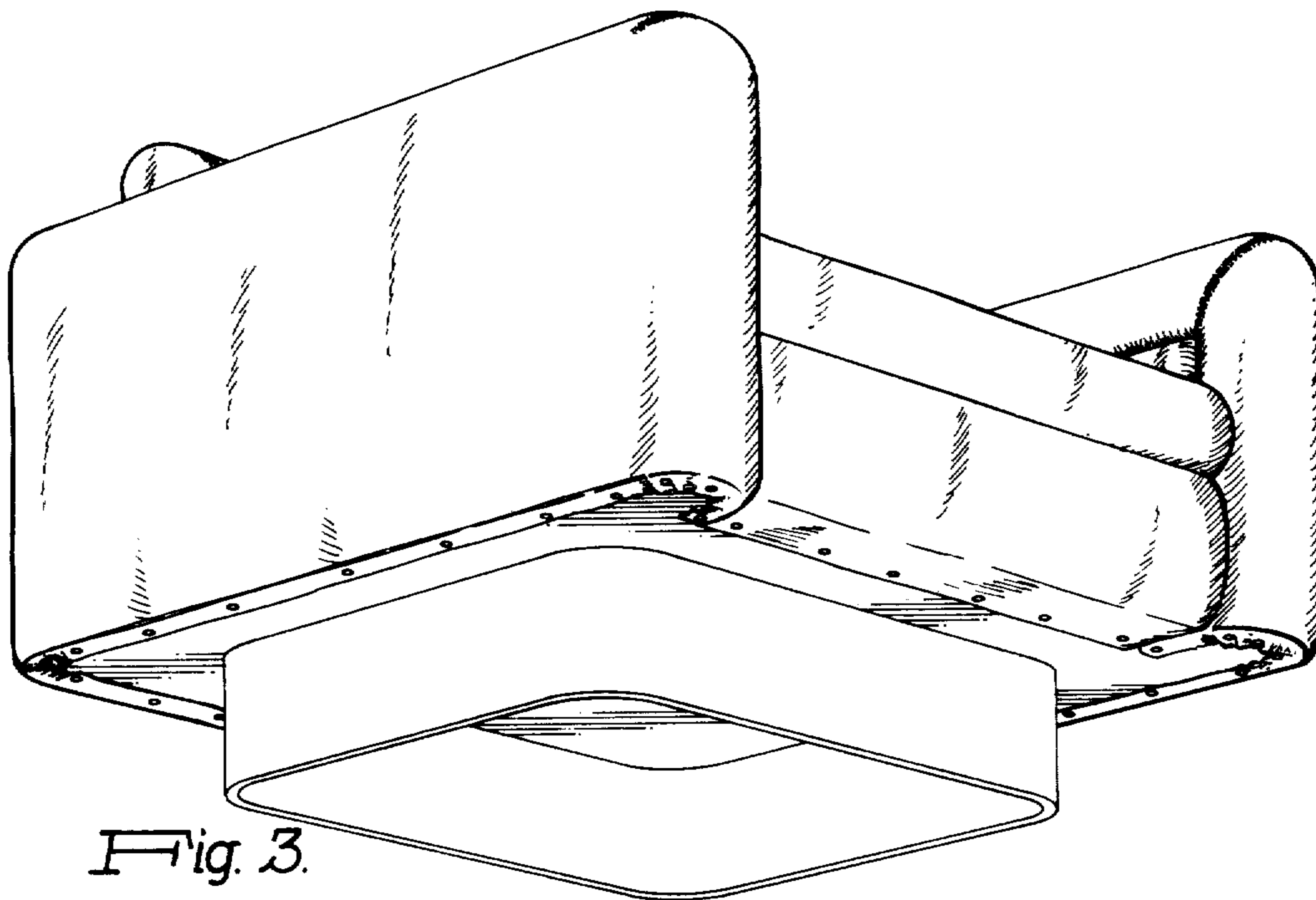


Fig. 4.