

[54] HAIR DRYER

[75] Inventor: Petrus Jacobus Johanna Nagelkerke, Drachten, Netherlands

[73] Assignee: U.S. Philips Corporation, New York, N.Y.

[**] Term: 14 Years

[21] Appl. No.: 605,219

[22] Filed: Aug. 11, 1975

[30] Foreign Application Priority Data

Feb. 11, 1975 United Kingdom 969820/75

[51] Int. Cl. D28-03

[52] U.S. Cl. D86/10 F

[58] Field of Search D86/10 A, 10 F; 132/7, 132/9; 34/96-101

[56] References Cited

U.S. PATENT DOCUMENTS

D. 196,341 9/1963 Gardner D86/10 F

D. 228,370 9/1973 Ikejima D86/10 F
D. 237,840 11/1975 Rawson D86/10 F

OTHER PUBLICATIONS

Merchandising Week, July 15, 1974, p. 69, Supercyclone Dryer, bottom right.

Primary Examiner—Melvin B. Feifer
Assistant Examiner—Louis S. Zarfes
Attorney, Agent, or Firm—Frank R. Trifari

[57] CLAIM

The ornamental design for a hair dryer, as shown.

DESCRIPTION

FIG. 1 is a perspective view of a hair dryer showing my new design;

FIG. 2 is a left side elevational view thereof;

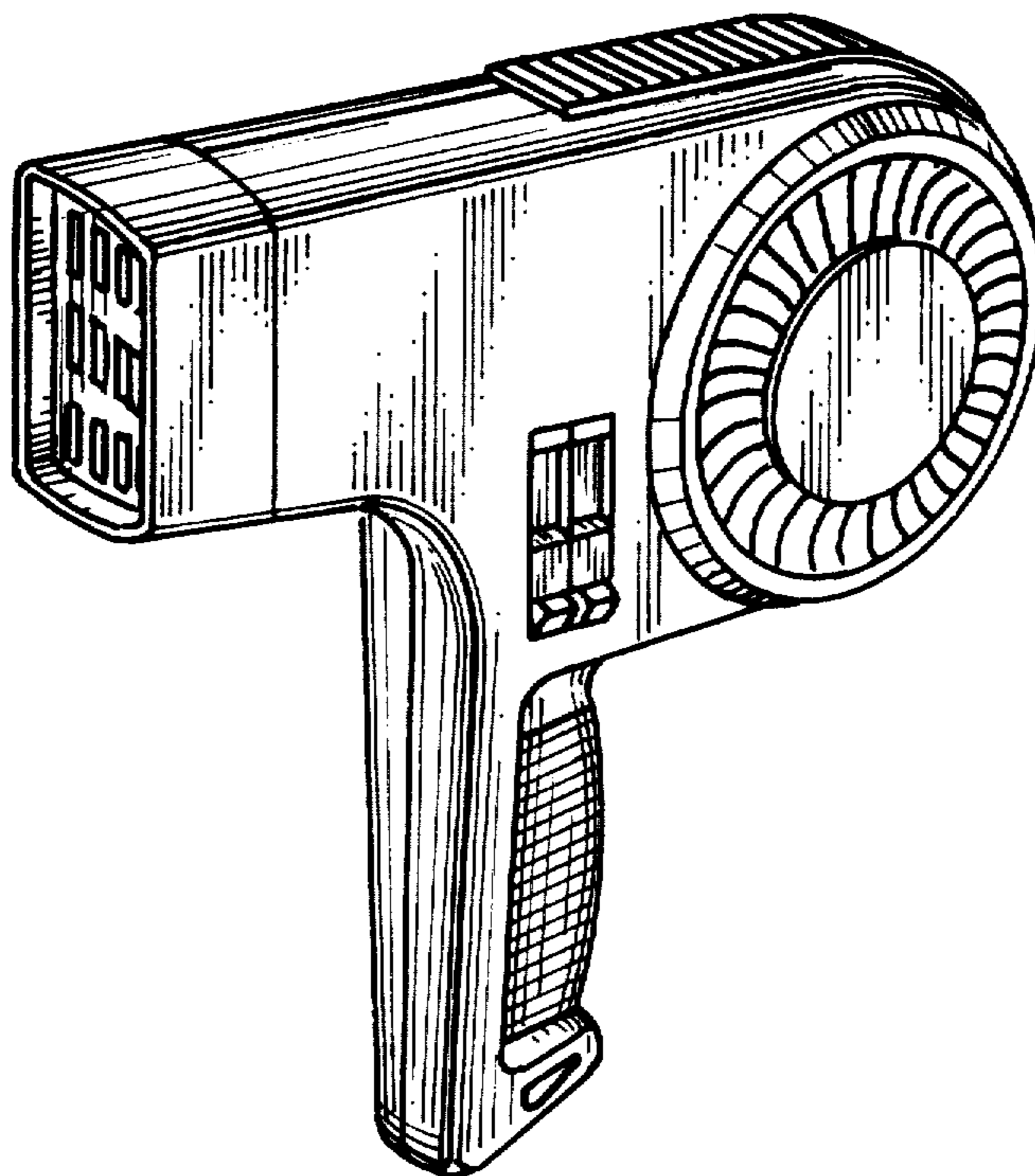
FIG. 3 is a right side elevational view thereof;

FIG. 4 is a front elevational view thereof;

FIG. 5 is a rear elevational view thereof;

FIG. 6 is a bottom plan view thereof, and;

FIG. 7 is a top plan view thereof.



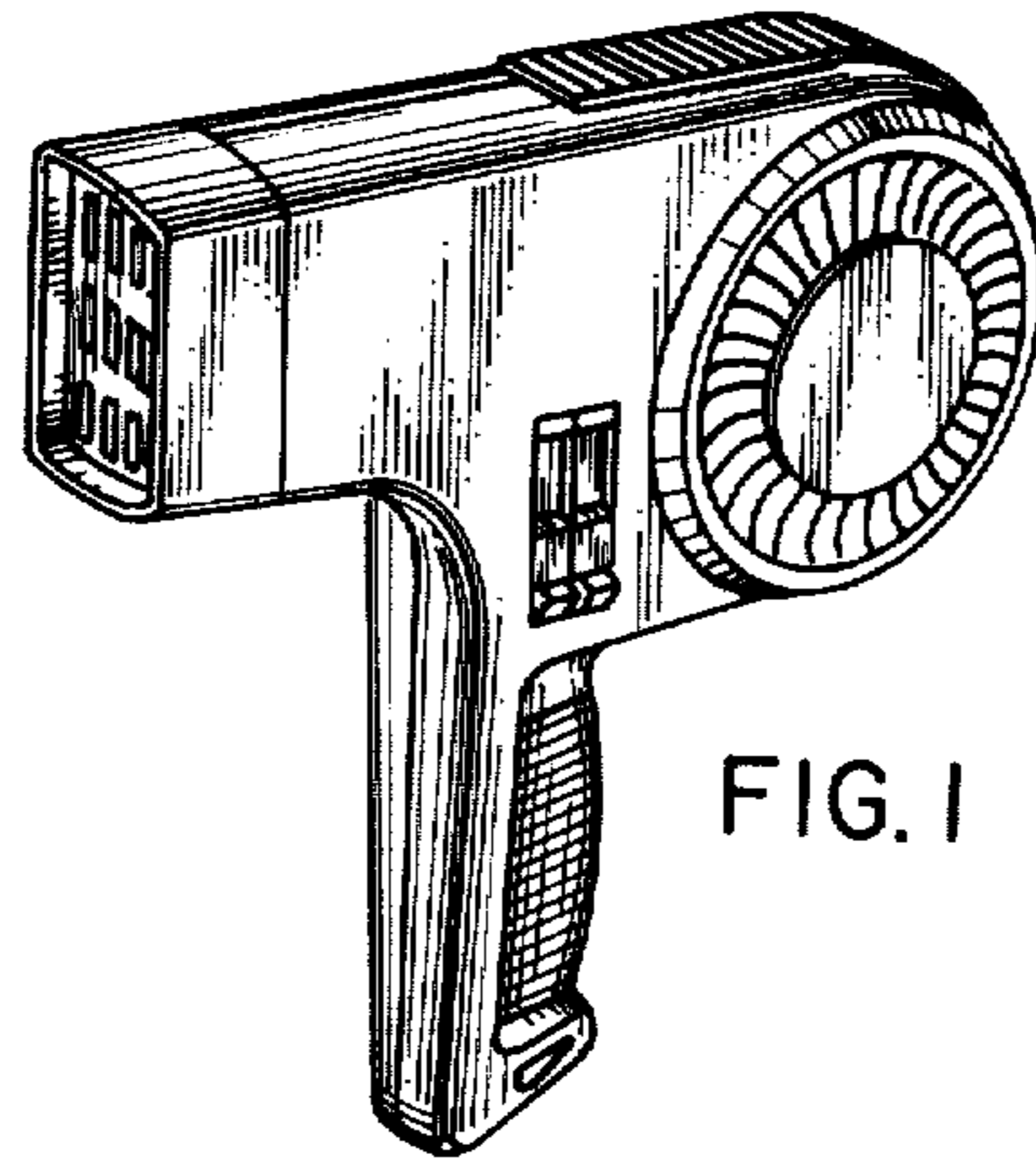


FIG. 1

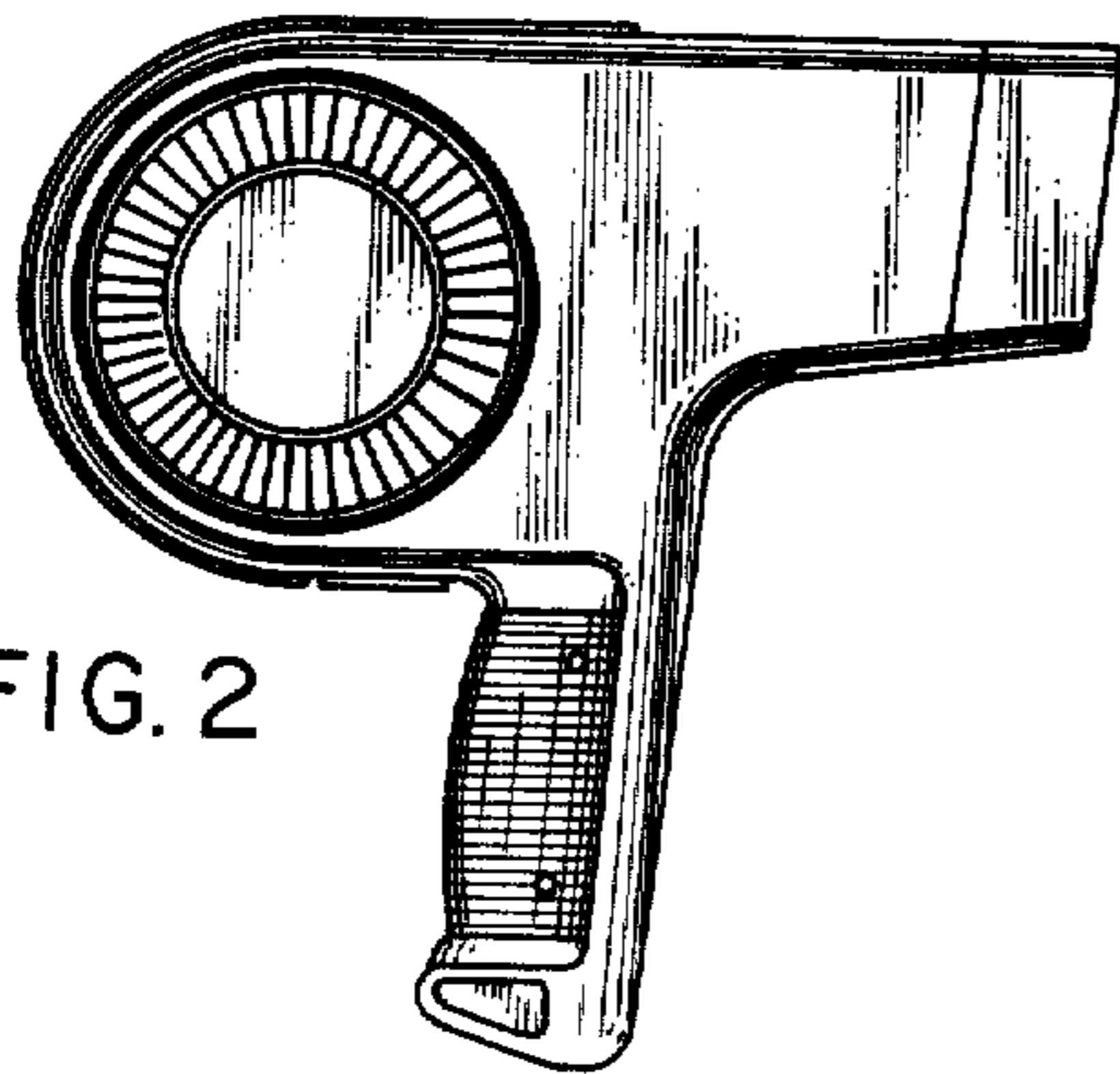


FIG. 2

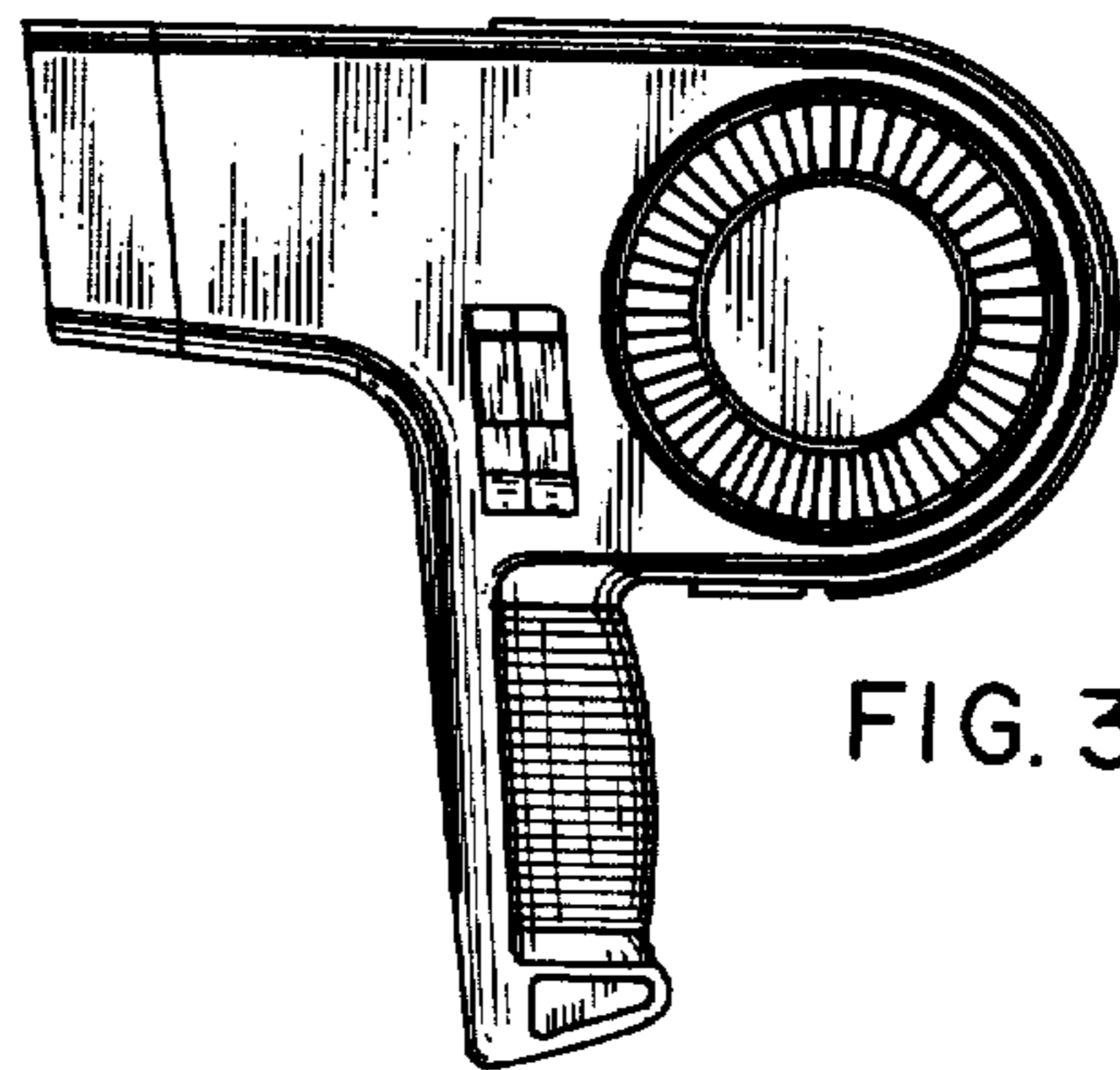


FIG. 3

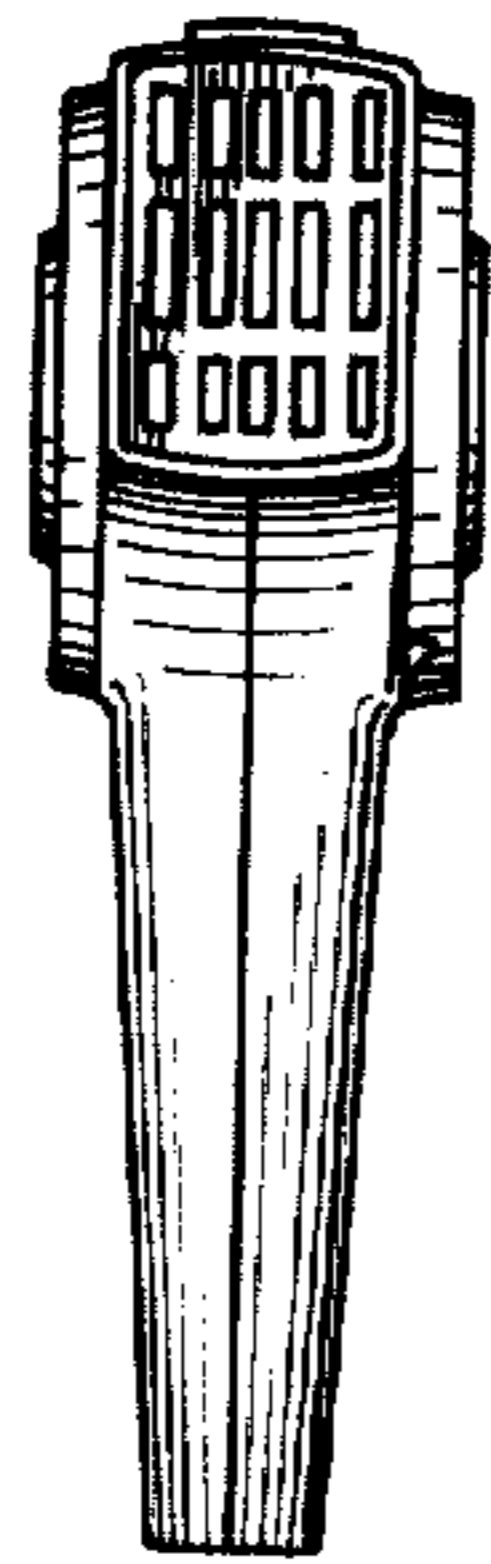


FIG. 4

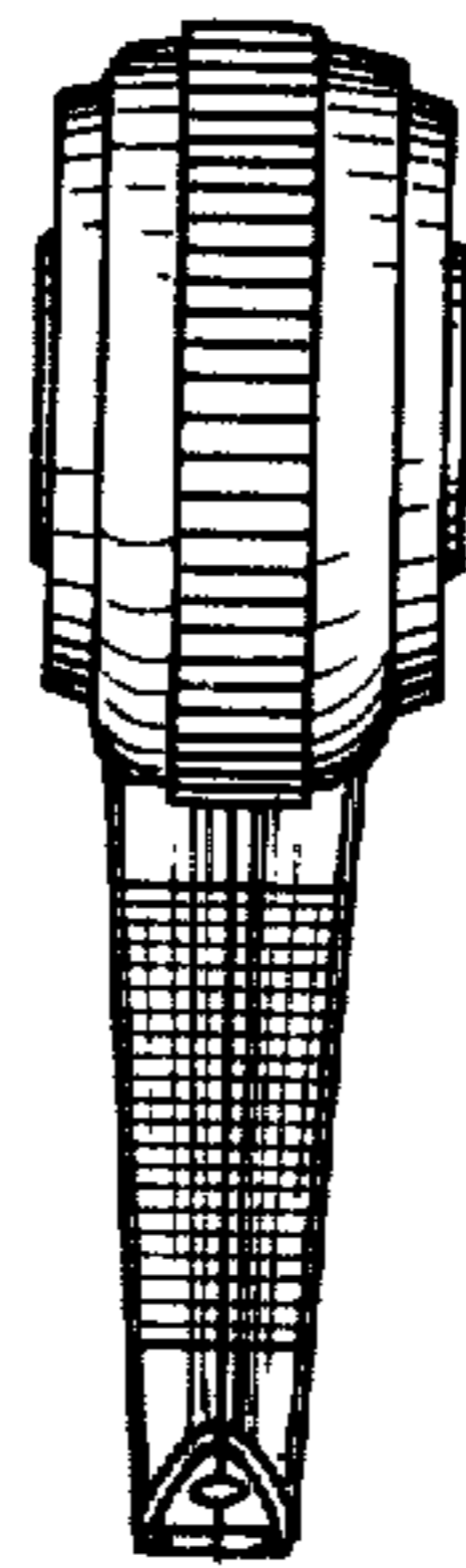


FIG. 5

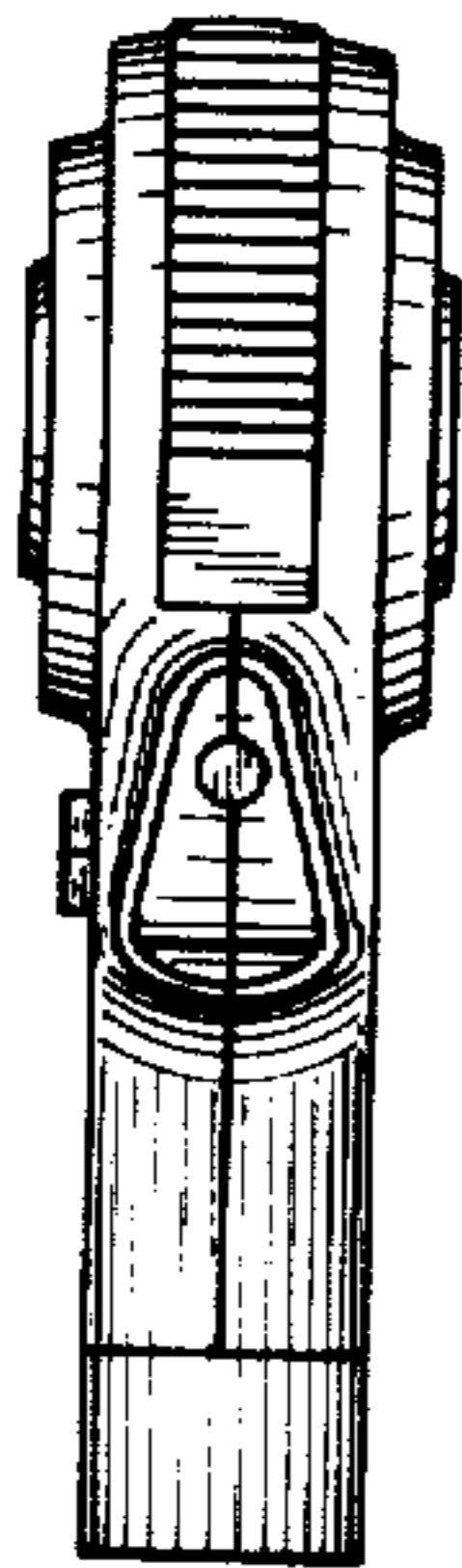


FIG. 6

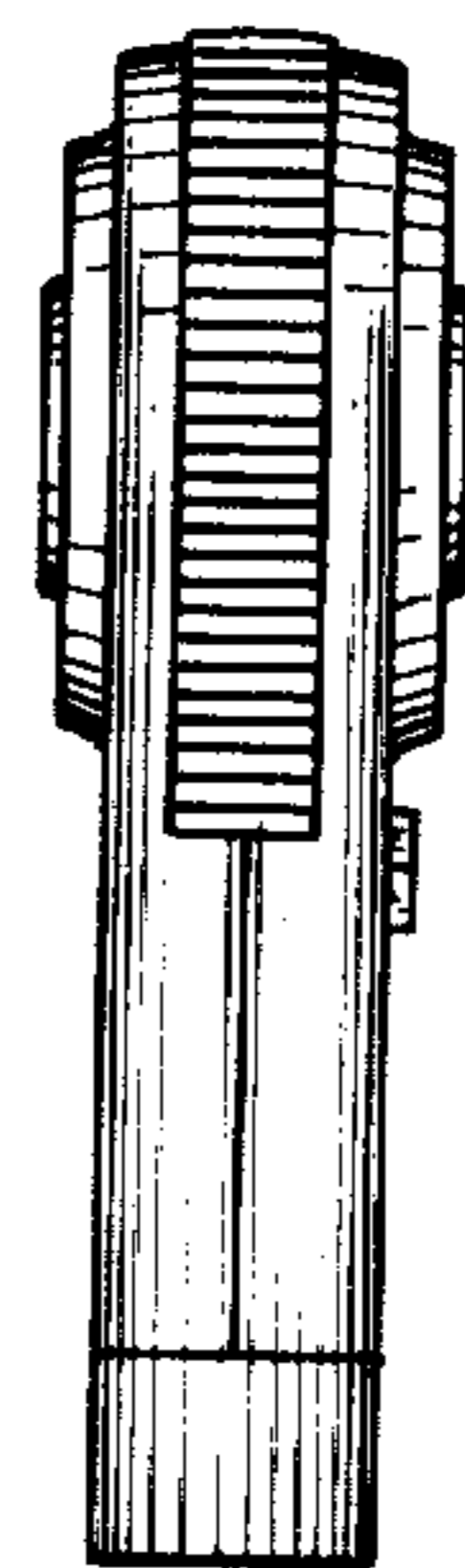


FIG. 7

UNITED STATES PATENT AND TRADEMARK OFFICE
CERTIFICATE OF CORRECTION

PATENT NO. : ^{Design} 243367
DATED : Feb. 8, 1977
INVENTOR(S) : PETRUS JACOBUS JOHANNA NAGELKERKE

It is certified that error appears in the above-identified patent and that said Letters Patent are hereby corrected as shown below:

In the heading, under "Foreign Application Priority Data"

"969820/75" should be --969821/75--

Signed and Sealed this

Seventeenth Day of October 1978

[SEAL]

Attest:

RUTH C. MASON
Attesting Officer

DONALD W. BANNER
Commissioner of Patents and Trademarks