

[54] HEAD HOOD FOR RESPIRATORY INHALATION SYSTEMS

[76] Inventor: Bruce B. Miller, 714 Ashley Drive, Kalamazoo, Mich. 49001

[**] Term: 14 Years

[21] Appl. No.: 598,858

[22] Filed: July 23, 1975

[51] Int. Cl. D24-02

[52] U.S. Cl. D83/1 F

[58] Field of Search D83/1 F, 1 G; 128/DIG. 29, 140 R, 191 A; D55/1 F

[56] References Cited

U.S. PATENT DOCUMENTS

3,196,871	7/1965	Hormats et al.	128/140 R
3,680,557	8/1972	Doniguion	128/191 A
3,786,809	1/1974	Kitrilakis	128/191 A
3,799,163	3/1974	Heath	128/191 A

3,813,092 5/1974 Foster 128/191 A

FOREIGN PATENT DOCUMENTS

442,767 9/1947 Italy 128/191 A

Primary Examiner—Wallace R. Burke

Assistant Examiner—Larry Jones

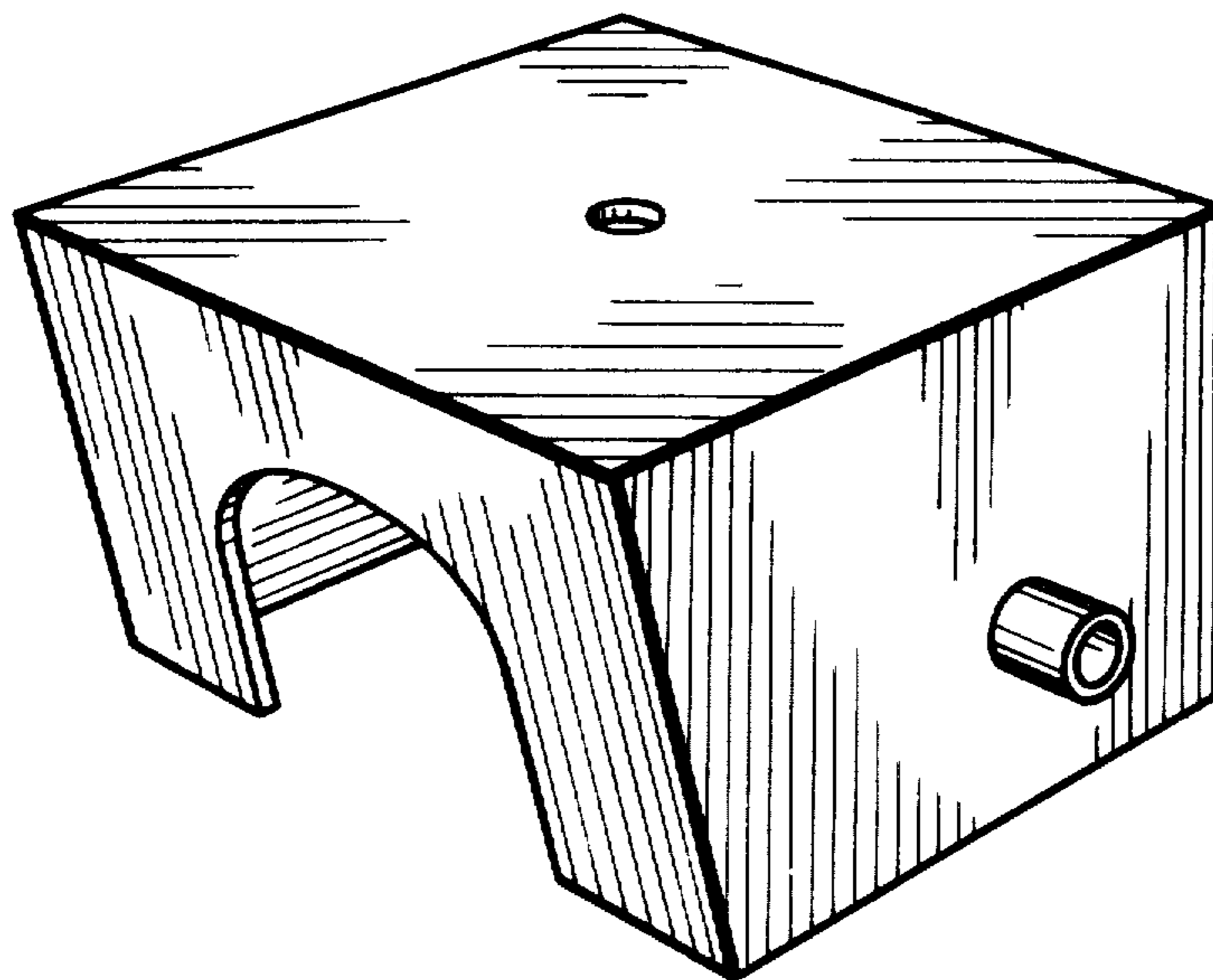
Attorney, Agent, or Firm—Ian C. McLeod

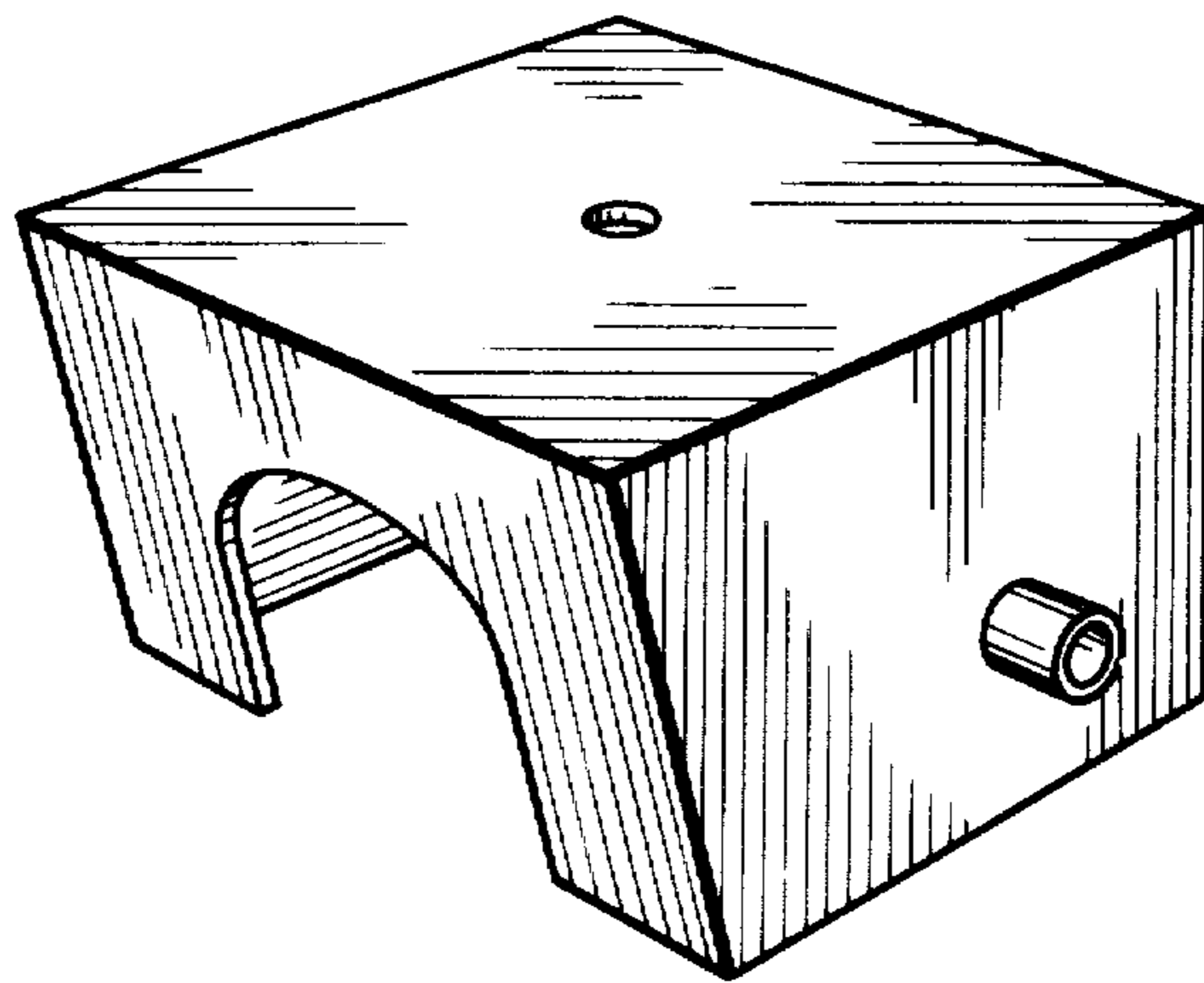
[57] CLAIM

The ornamental design for a head hood respiratory inhalation systems, as shown.

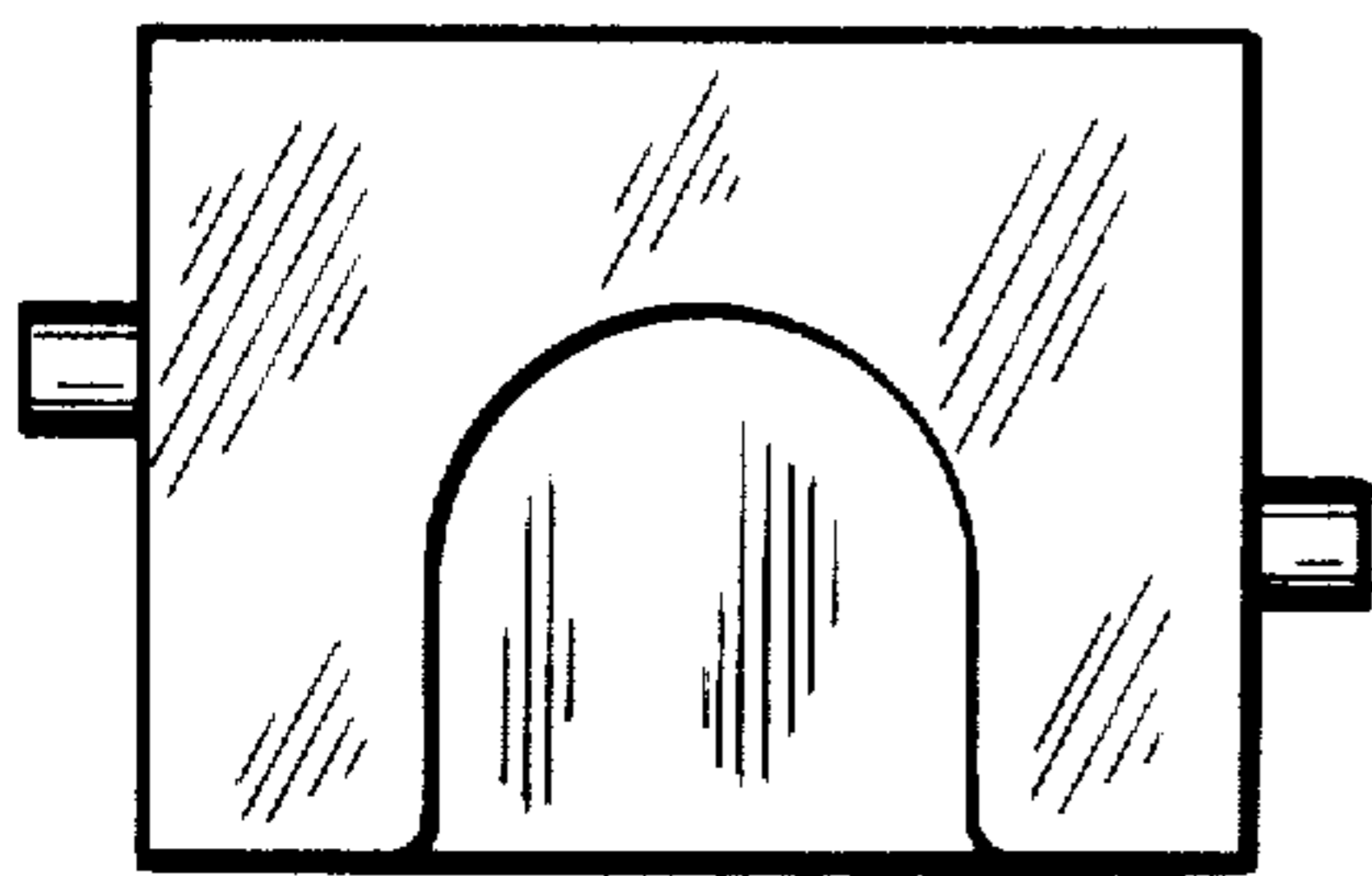
DESCRIPTION

FIG. 1 is a perspective view of a head hood for respiratory inhalation systems showing my new design; FIG. 2 is a side elevational view thereof; FIG. 3 is a right end elevational view thereof; FIG. 4 is a left end elevational view thereof; FIG. 5 is a top view thereof; and FIG. 6 is a bottom view thereof.

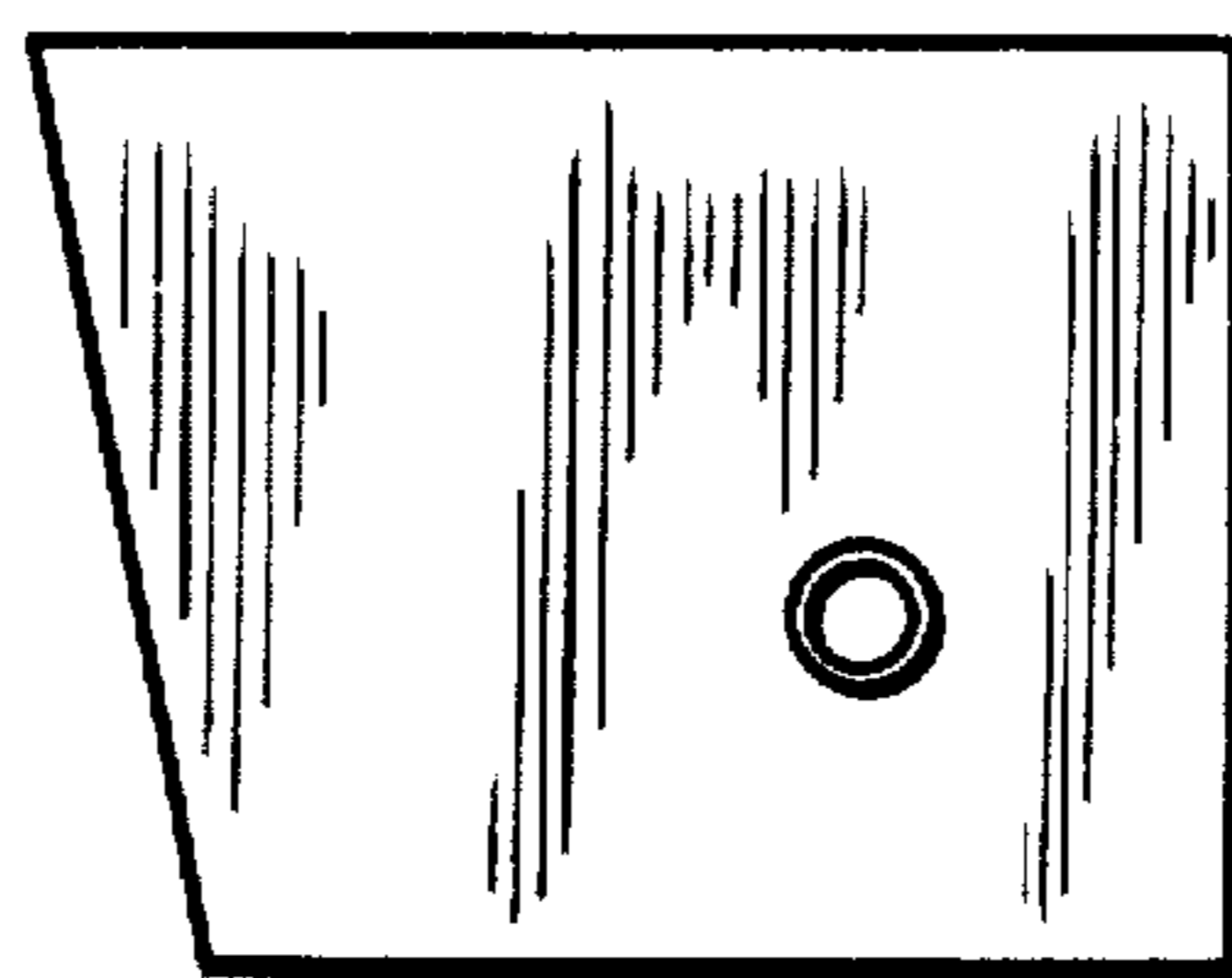




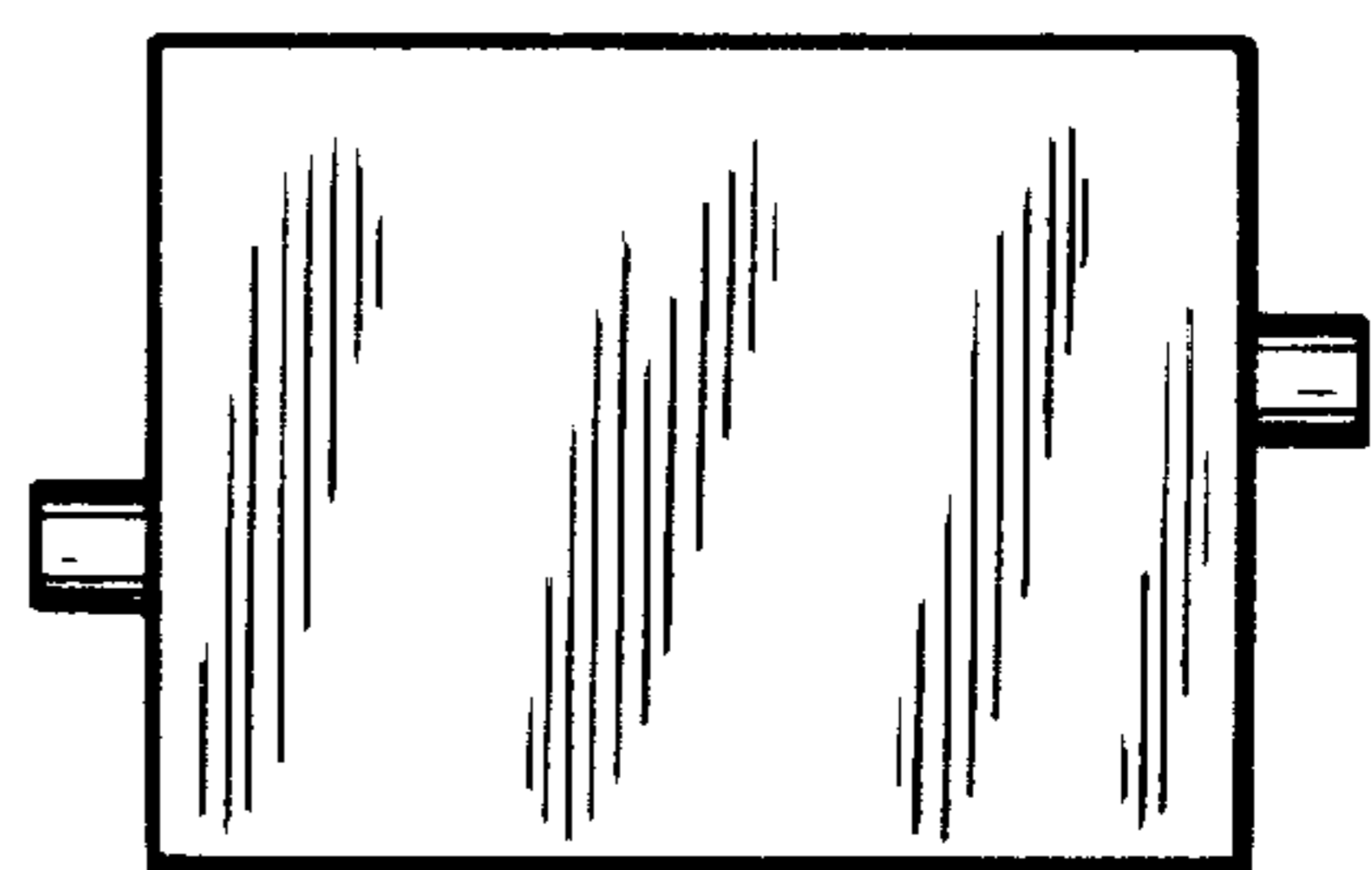
—FIG. 1



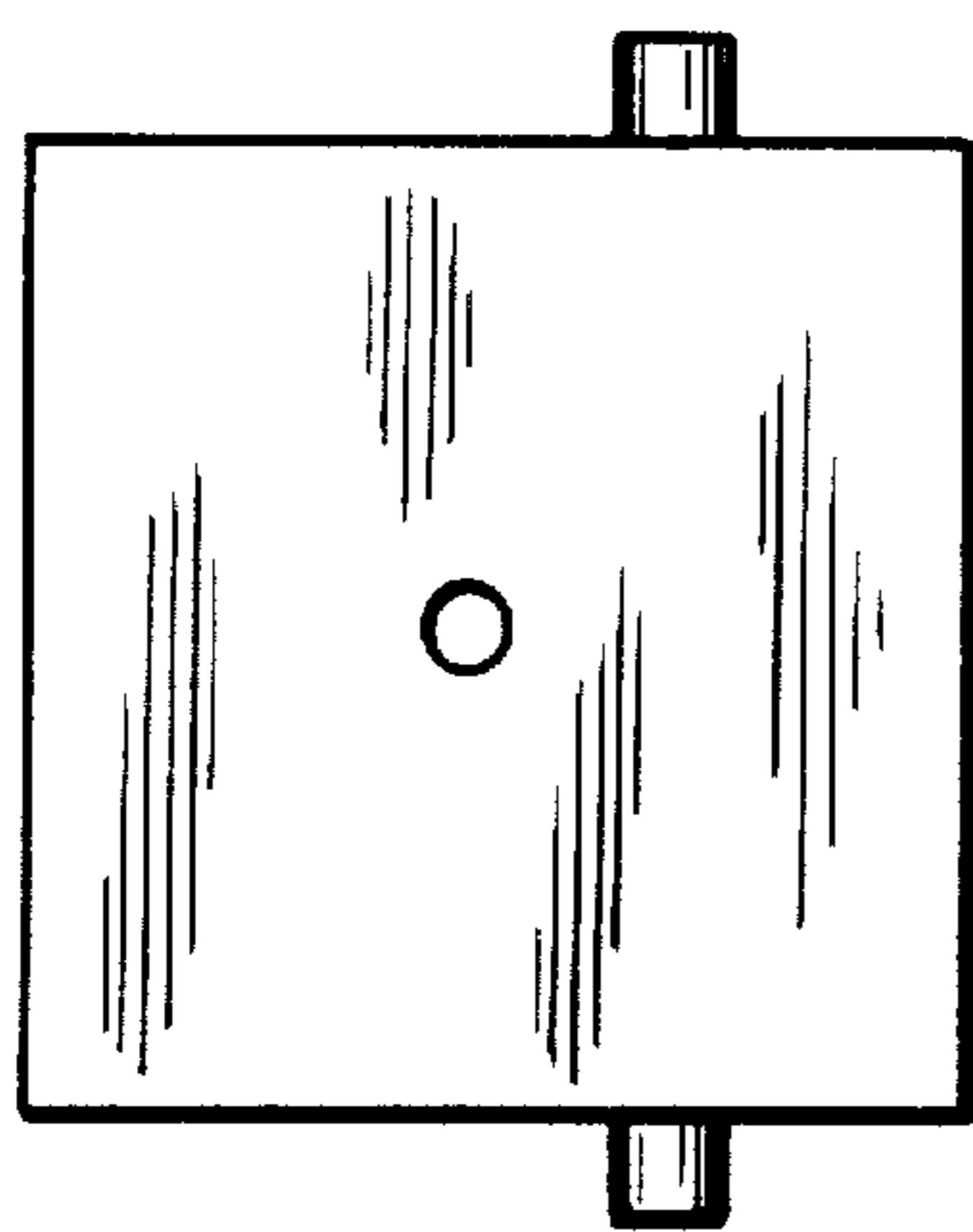
—FIG. 2



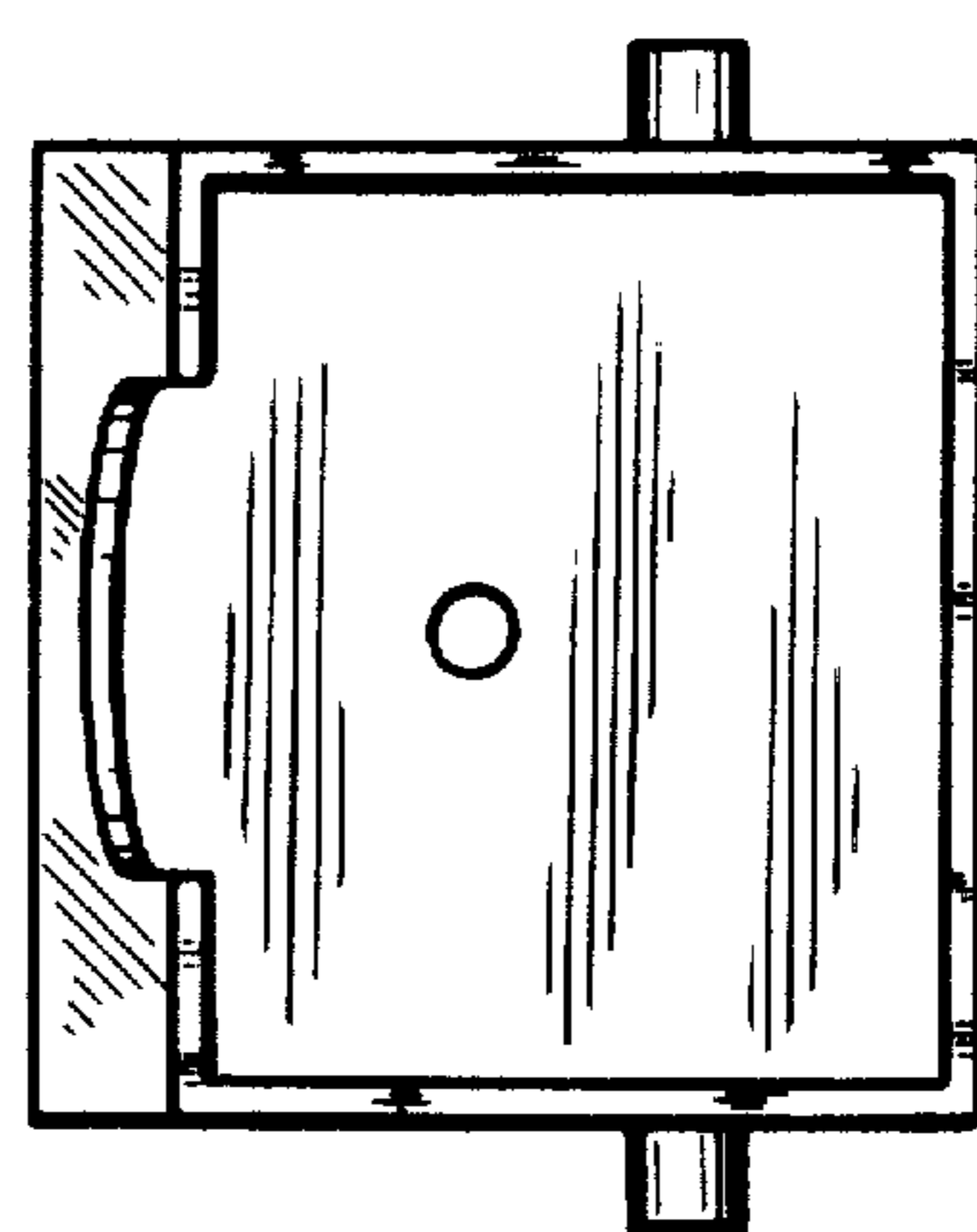
—FIG. 3



—FIG. 4



—FIG. 5



—FIG. 6