

[54] **COMBINED CIGARETTE PACK HOLDER AND MATCHBOOK**

[76] Inventor: **Kunihiko Shibata**, No. 21-18, 4-chome, Kaminoge, Setagaya, Tokyo, Japan

[\*\*] Term: **14 Years**

[21] Appl. No.: **549,824**

[22] Filed: **Feb. 13, 1975**

[30] **Foreign Application Priority Data**

Aug. 17, 1974 Japan ..... 49-98481[U]

[51] **Int. Cl.** ..... **D27-06**

[52] **U.S. Cl.** ..... **D27/49**

[58] **Field of Search** ..... **D9/225, 230-235; D27/48, 49; 206/90-95; 229/44 CB**

[56] **References Cited**

**U.S. PATENT DOCUMENTS**

1,504,357 8/1924 Lewohl ..... 206/91  
2,975,890 3/1961 Block ..... 206/92  
3,858,788 1/1975 Phillips, Jr. .... 229/44 CB

*Primary Examiner*—Robert C. Spangler  
*Attorney, Agent, or Firm*—Ernest A. Greenside

[57] **CLAIM**

The ornamental design for a combined cigarette pack holder and matchbook, substantially as shown and described.

**DESCRIPTION**

FIG. 1 is a front perspective view of a combined cigarette pack holder and matchbook showing my new design in a closed position; and FIG. 2 is a front perspective view in an open position. The dash lines represent score lines. The back and side not shown are substantially plain and unornamented.

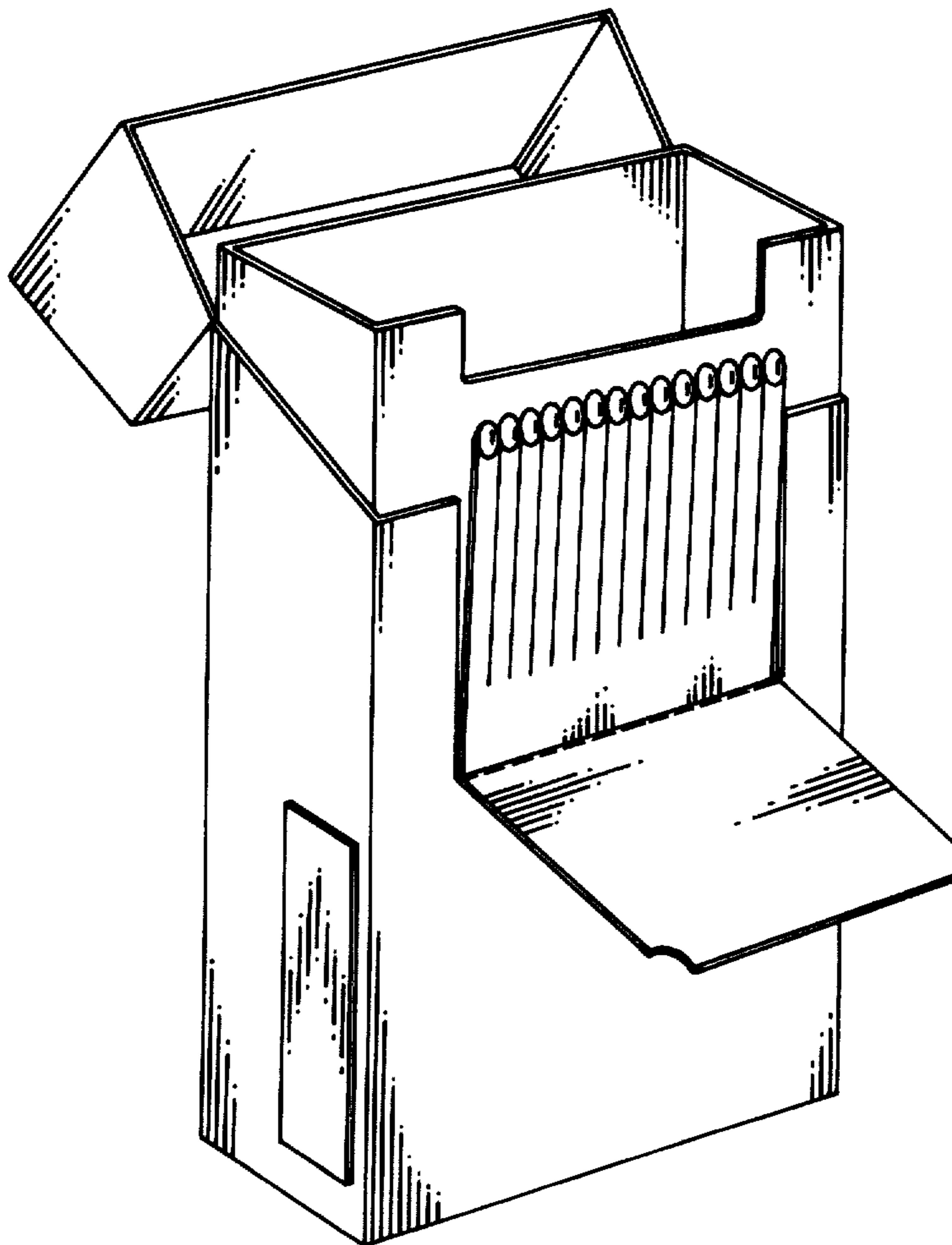


FIG. 1

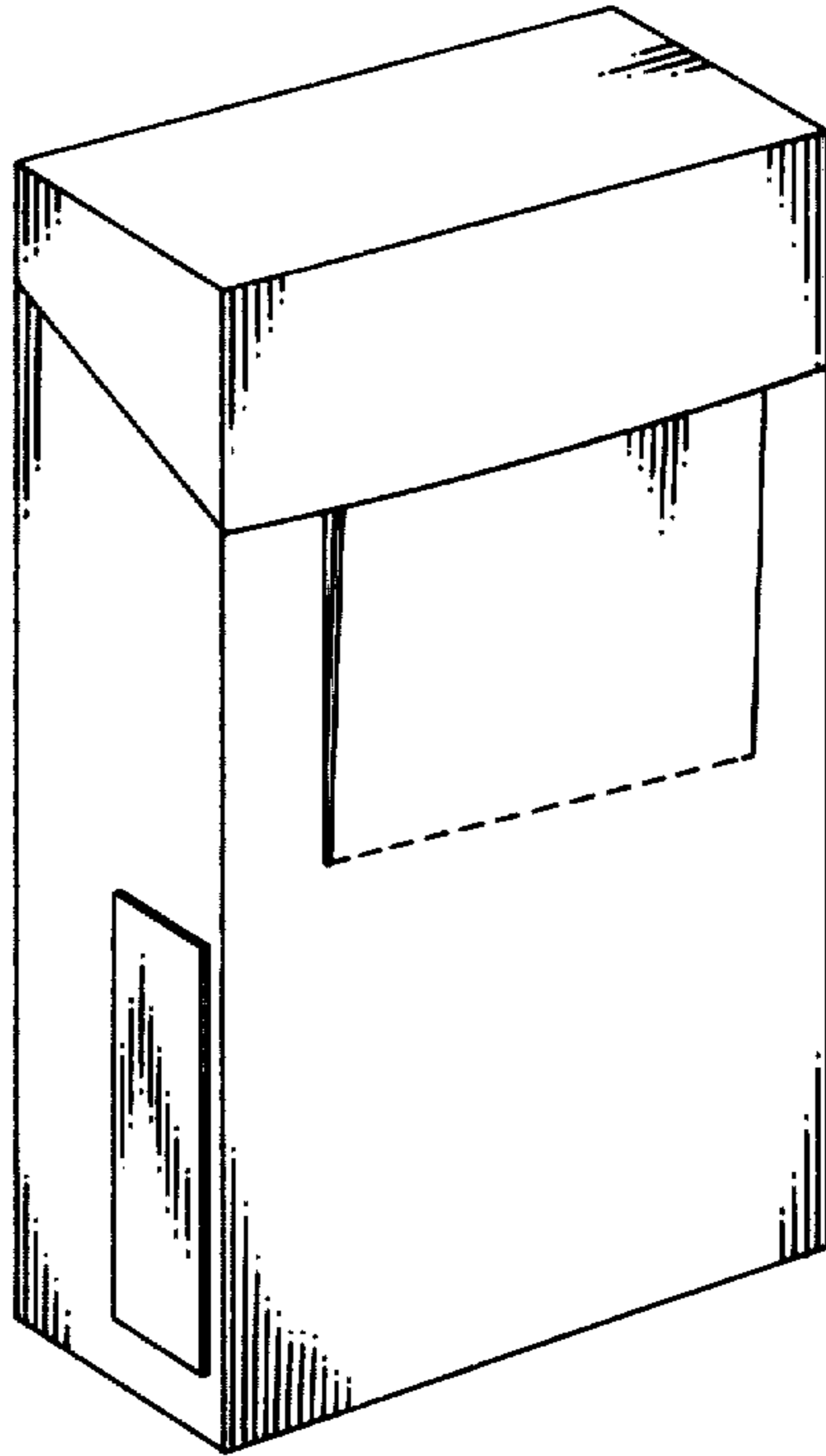


FIG. 2

