

[54] HOUSING FOR FENCE CHARGER

[75] Inventor: Peter B. Allard, Minnetonka, Minn.

[73] Assignee: Introl Corporation, Minneapolis, Minn.

[\*\*] Term: 7 Years

[21] Appl. No.: 585,461

[22] Filed: June 10, 1975

[51] Int. Cl. .... D13-03

[52] U.S. Cl. .... D26/5 R

[58] Field of Search ..... D26/15 R, 15 A, 15 B, D26/5 R

[56] References Cited

U.S. PATENT DOCUMENTS

D. 106,981	11/1937	Kelly .....	D26/5 R
D. 114,549	5/1939	Moore .....	D26/5 R
D. 122,484	9/1940	Jorgenson .....	D26/5 R
D. 130,161	10/1941	Stevens .....	D26/5 R

OTHER PUBLICATIONS

Allied Industrial Electronics Catalog, 1973, No. 730, p. 366.

Primary Examiner—Wallace R. Burke

Assistant Examiner—Larry Jones

Attorney, Agent, or Firm—Douglas L. Carlsen

[57] CLAIM

The ornamental design for a housing for fence charger, as shown.

DESCRIPTION

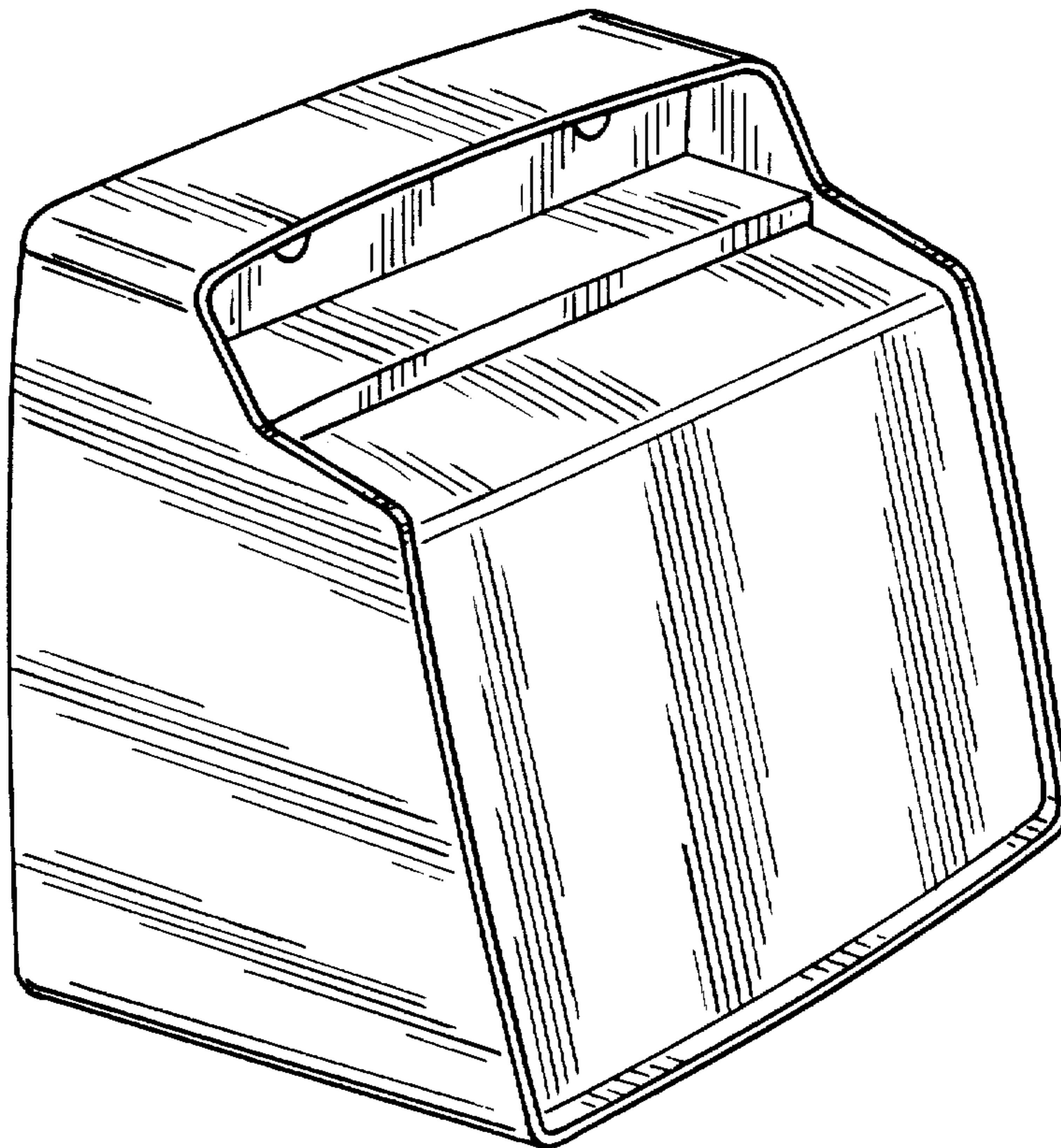
FIG. 1 is a front, top, left side perspective view of the housing showing the new design.

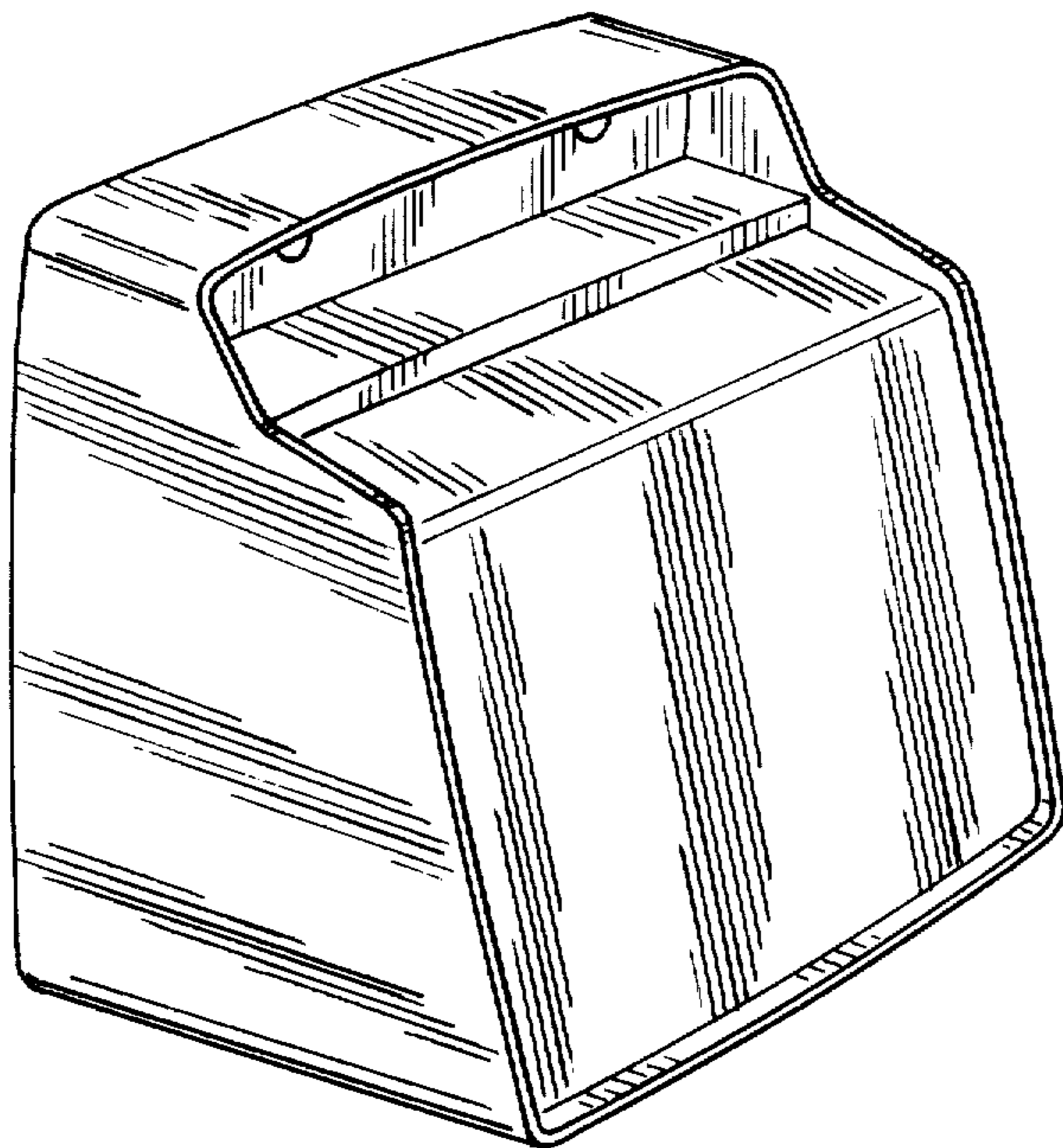
FIG. 2 is a top plan view thereof.

FIG. 3 is a front elevational view thereof.

FIG. 4 is a rear elevational view thereof.

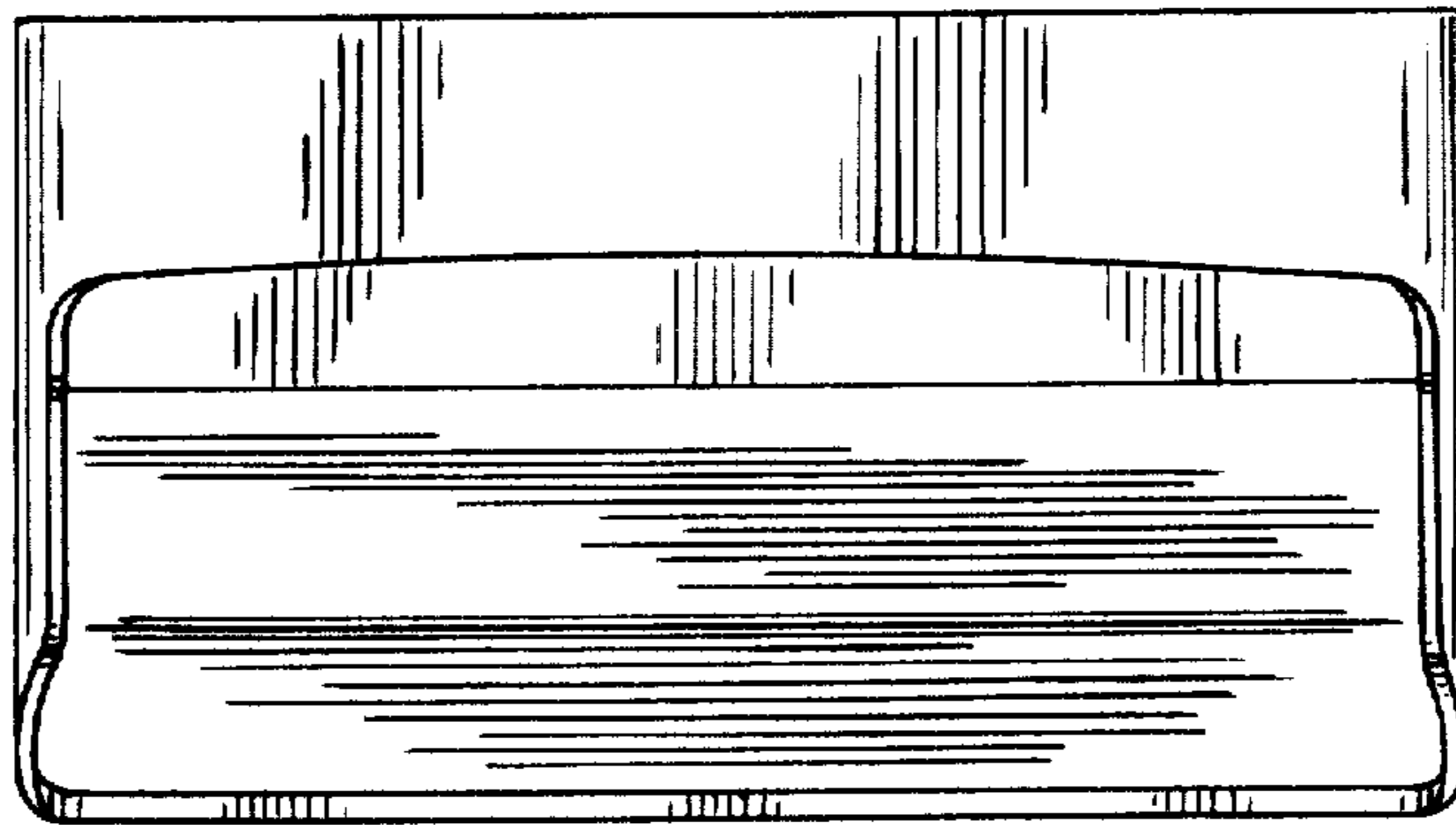
FIG. 5 is a right side elevational view thereof.



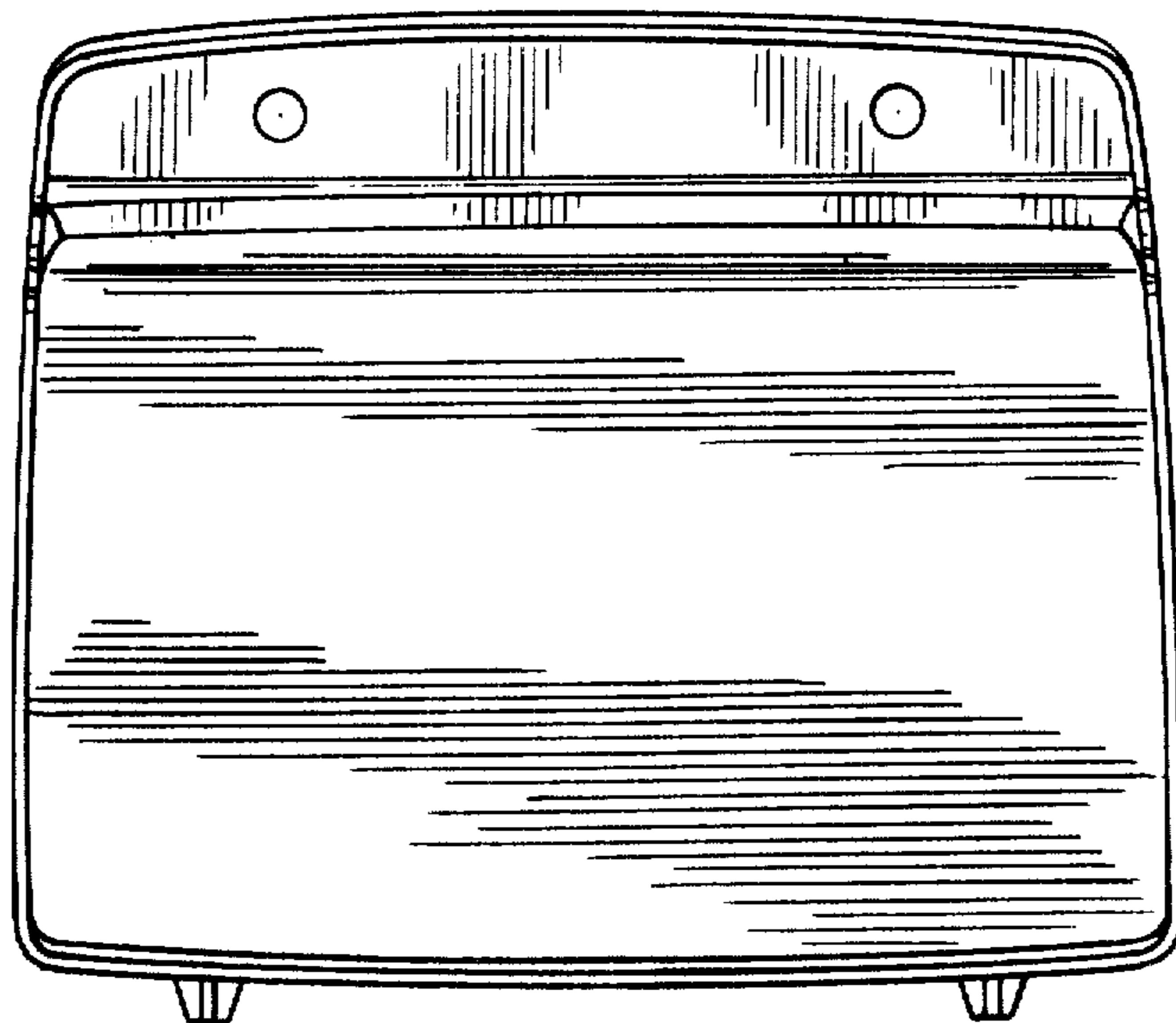


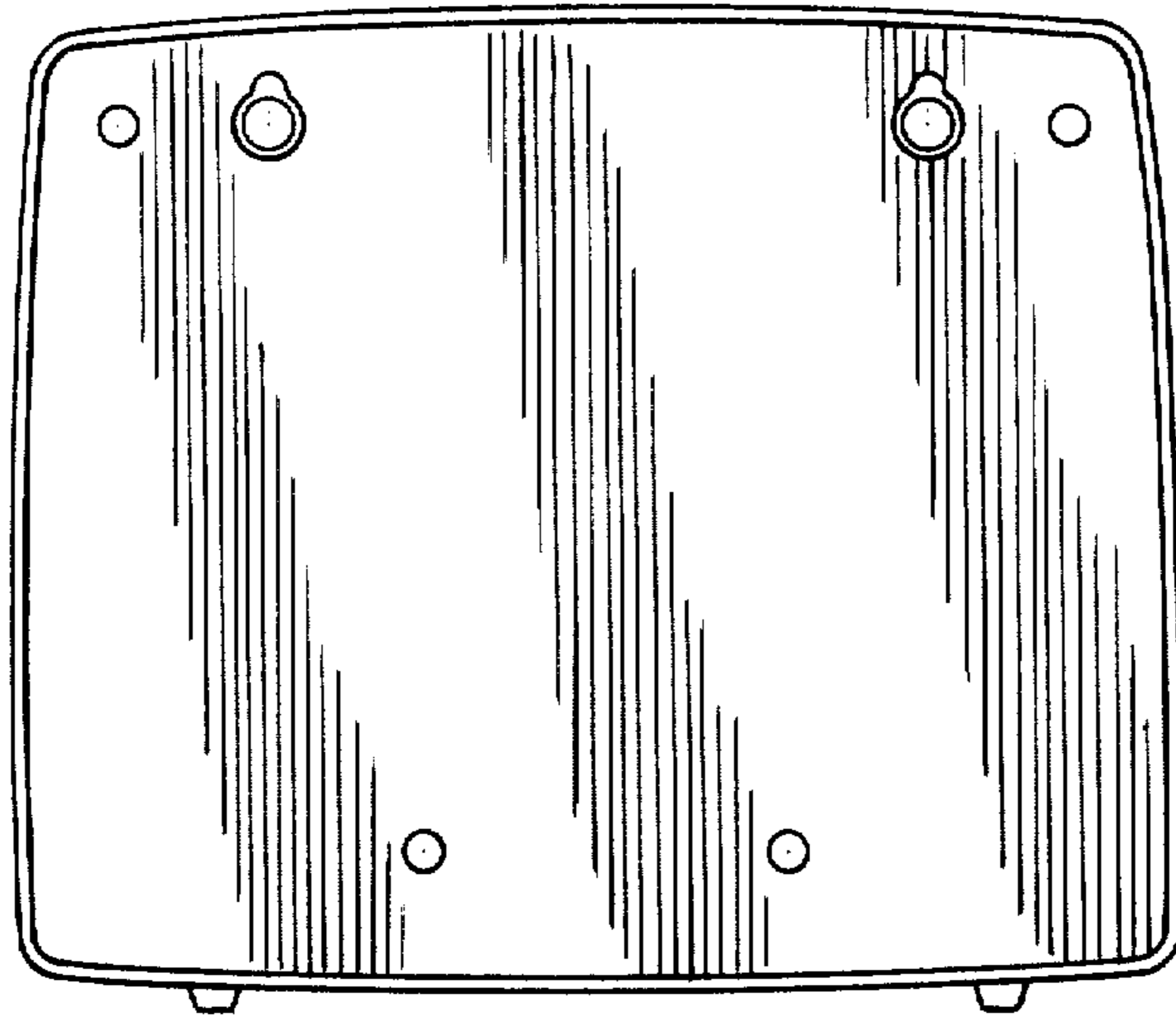
*FIG. 1*

*FIG. 2*

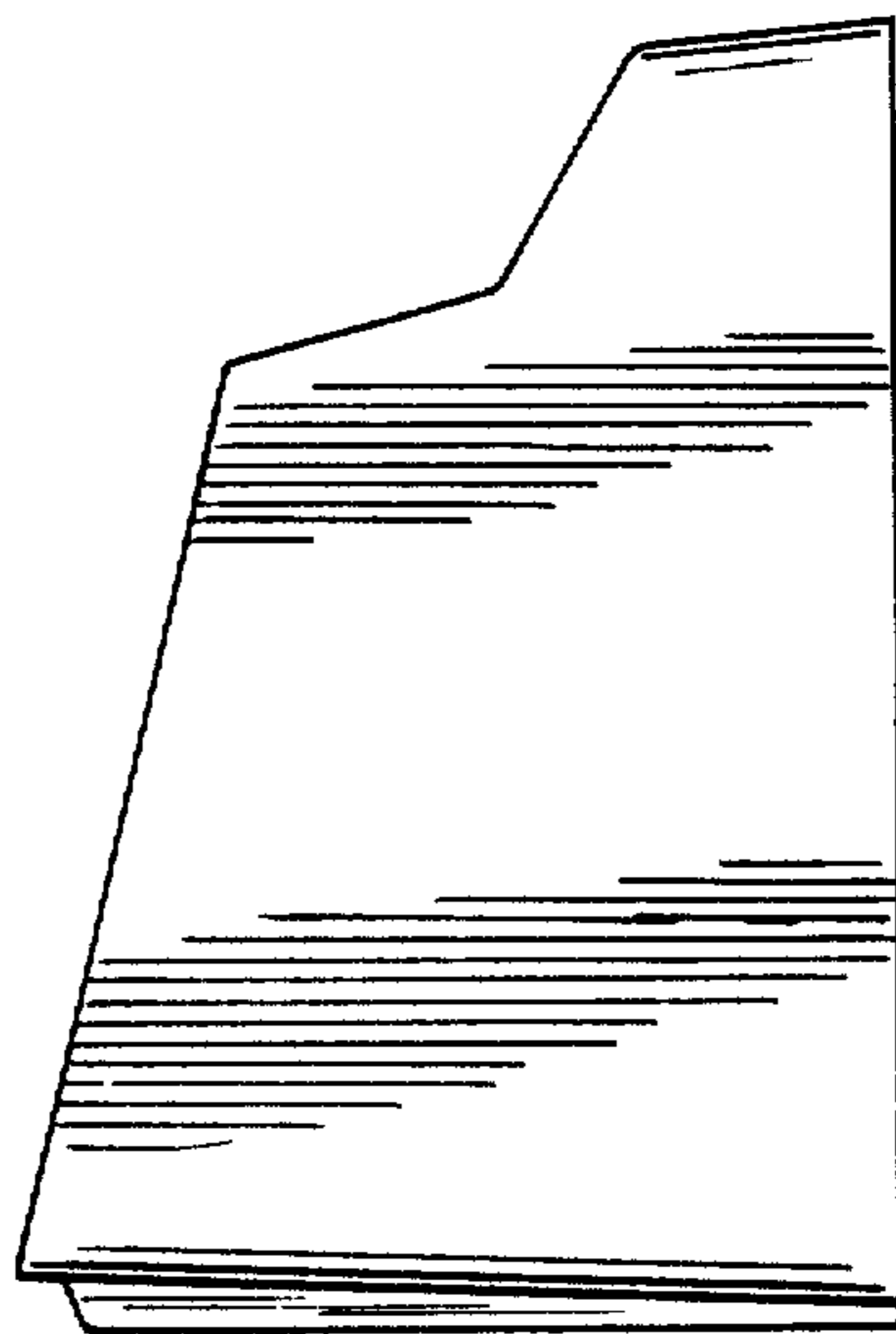


*FIG. 3*





*FIG. 4*



*FIG. 5*