

[54] DISK PACK DRIVE AND CONTROLLER

[75] Inventors: **Richard G. Clayton**, Detroit; **John M. Blue**, Troy, both of Mich.; **Jack K. Beduhn**, Westlake Village; **Norman P. Guetschoff, Jr.**, Newbury Park, both of Calif.

[73] Assignee: **Burroughs Corporation**, Detroit, Mich.

[**] Term: **14 Years**

[21] Appl. No.: **642,494**

[22] Filed: **Dec. 19, 1975**

[51] Int. Cl. **D14-02**

[52] U.S. Cl. **D26/5 C**

[58] Field of Search **D26/5 R, 5 C; D64/11 R, D64/11 B, 11 C**

[56] **References Cited**

U.S. PATENT DOCUMENTS

D. 227,260	6/1973	Clayton et al.	D26/5 C
D. 231,465	4/1974	Massaro et al.	D26/5 C
D. 232,736	9/1974	Yenerich	D26/5 C
D. 233,441	10/1974	Laughon	D26/5 C
D. 234,700	4/1975	Shimano et al.	D26/5 C

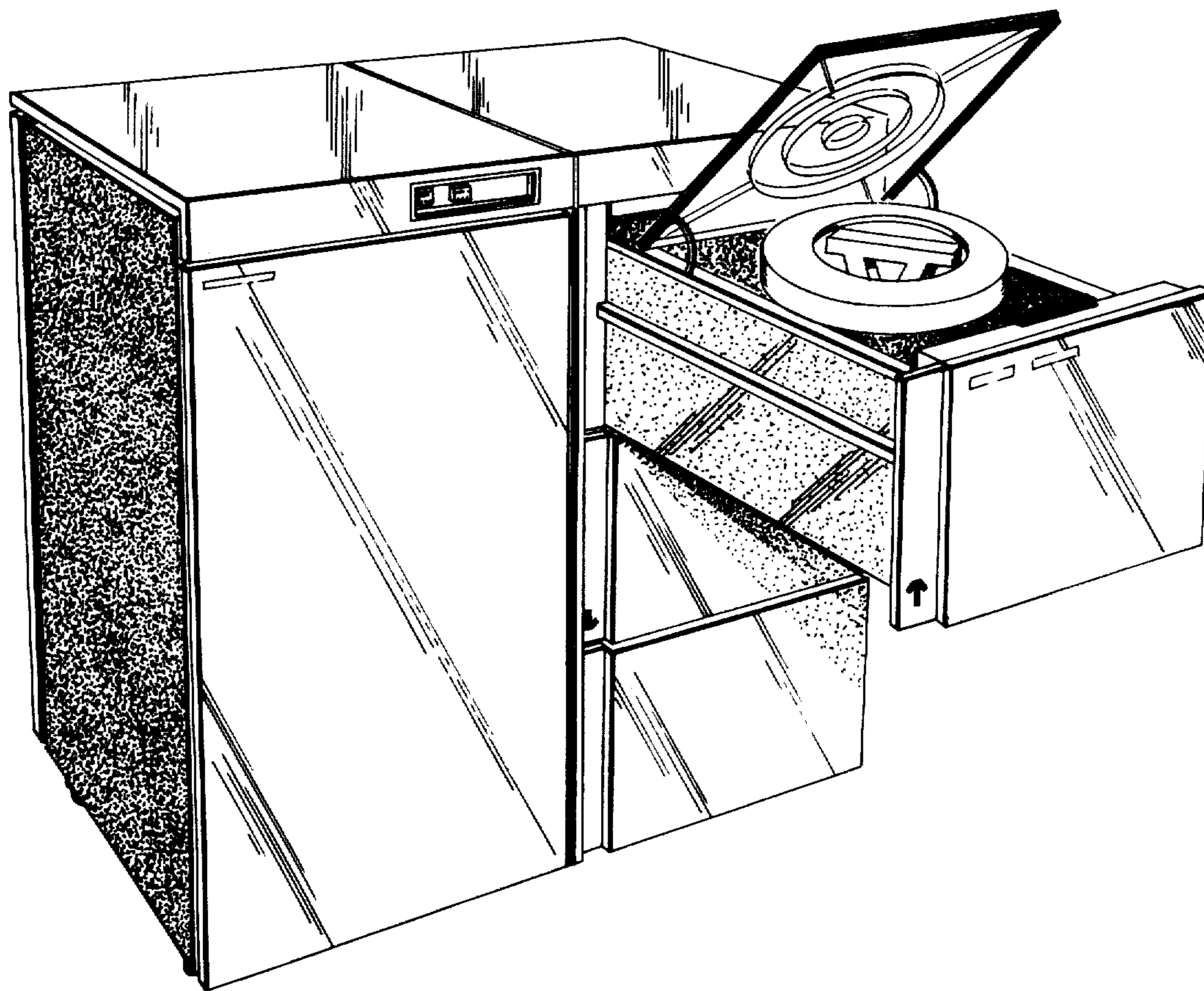
Primary Examiner—Wallace R. Burke
Assistant Examiner—Christine M. Nucker
Attorney, Agent, or Firm—Kevin R. Peterson

[57] **CLAIM**

The ornamental design for a disk pack drive and controller, substantially as shown.

DESCRIPTION

FIG. 1 is a front perspective view of a disk pack drive and controller showing our new design; FIG. 2 is a rear perspective view thereof; and FIG. 3 is a front perspective view with the drawer shown in open condition.



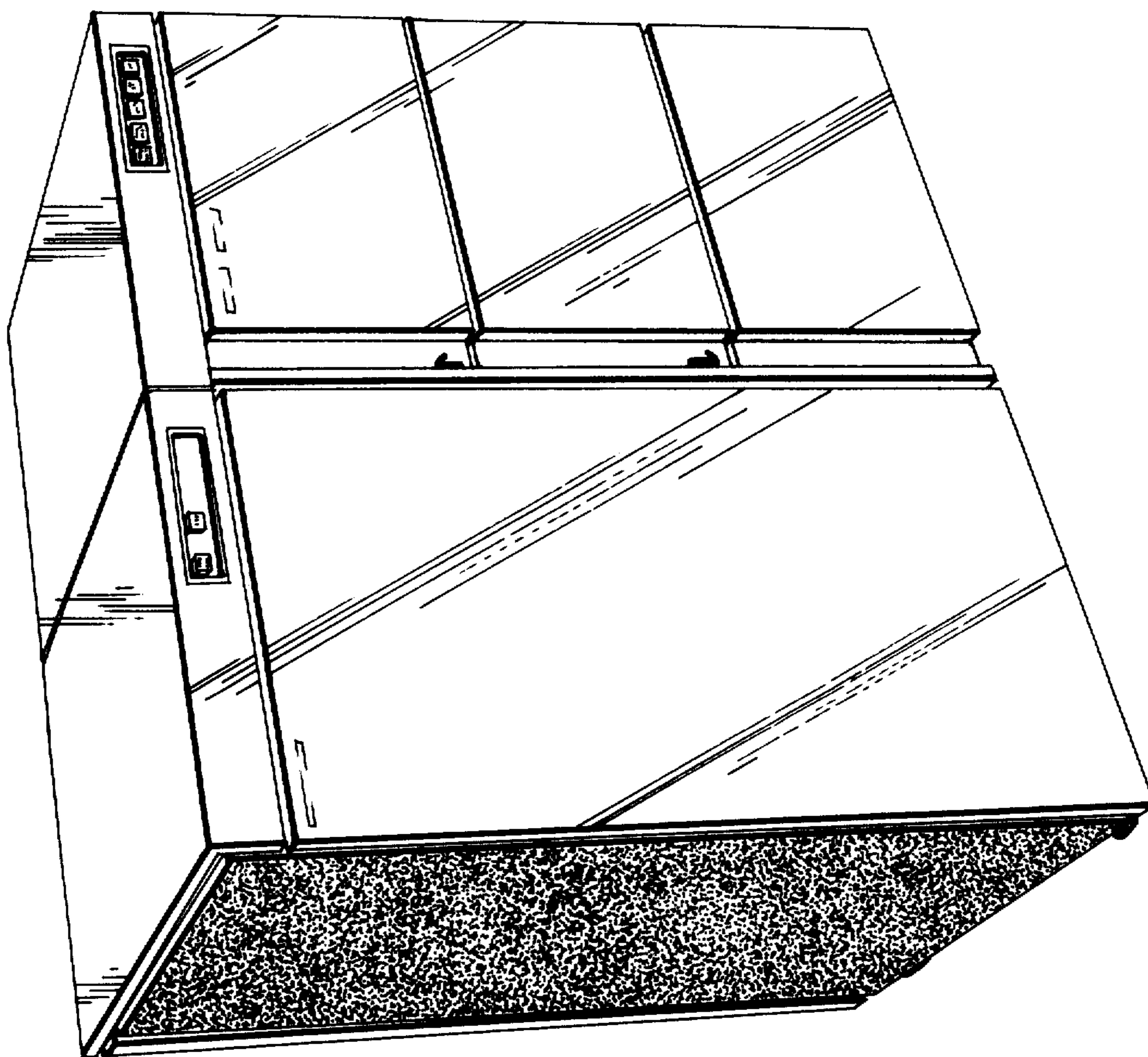


FIG. 1.

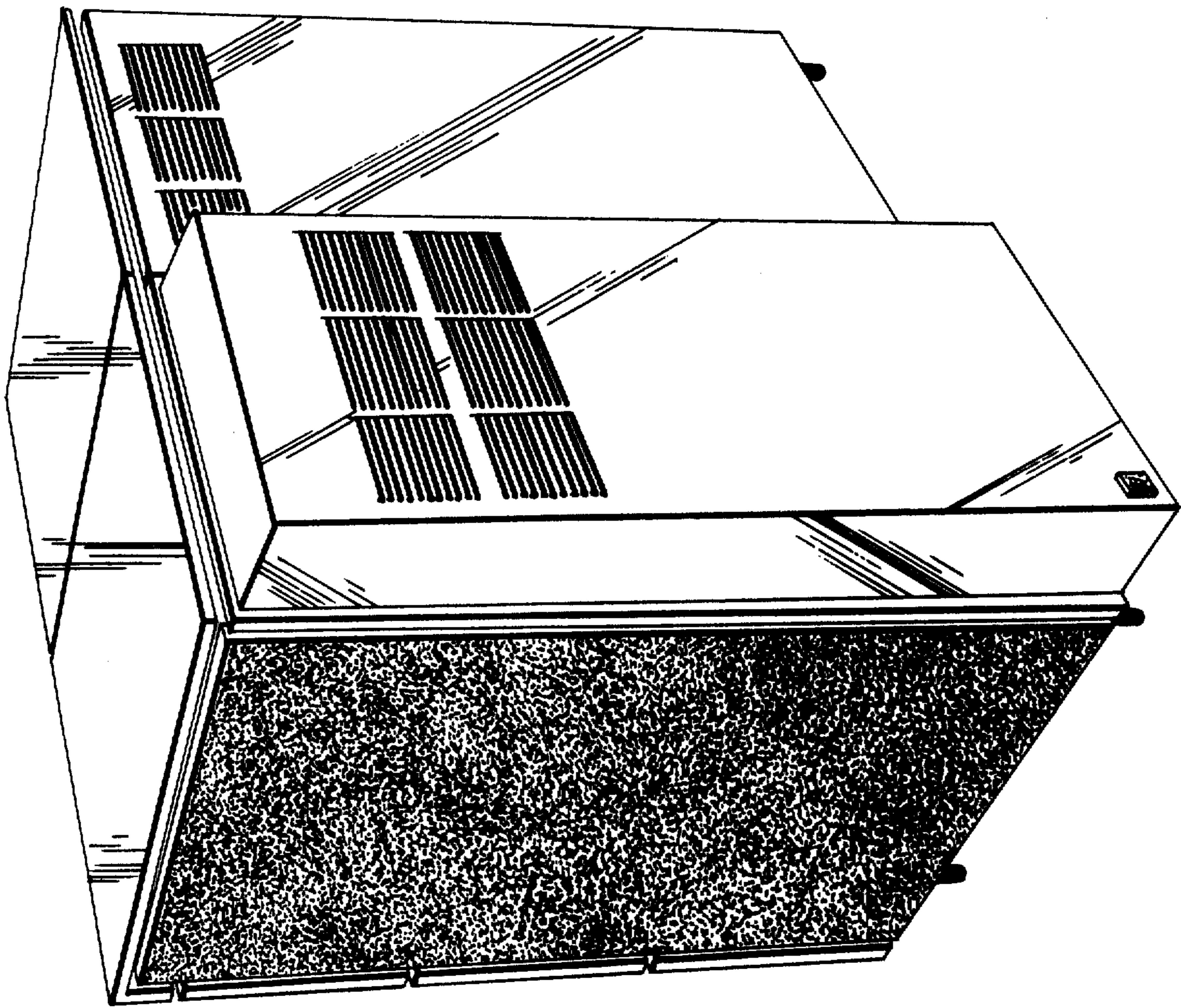


FIG. 2.

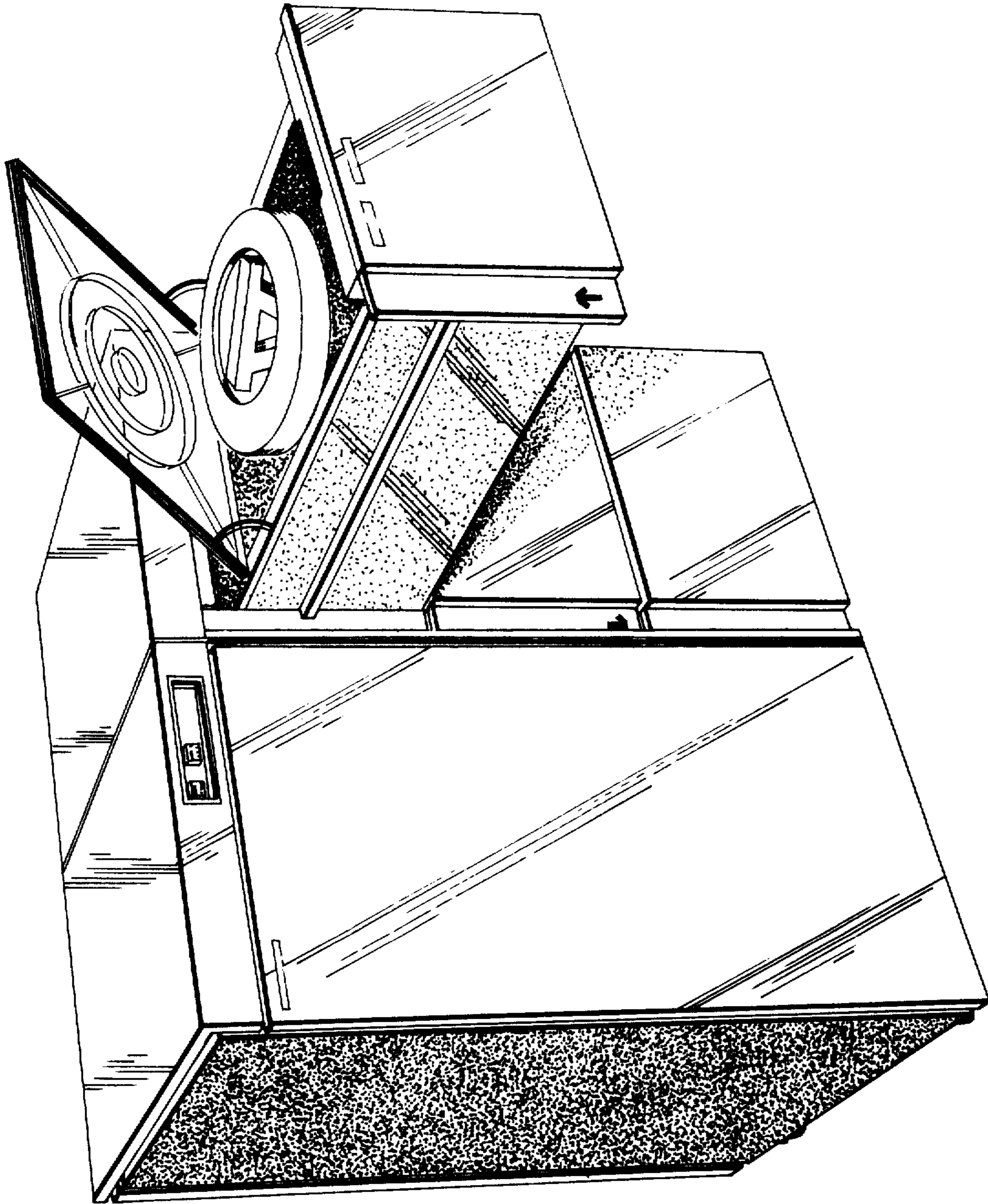


FIG. 3.