

[54] **CONDENSED MULTIPLE CONVERGENCE
LINEAR OPTICAL AND CONVECTIVE
RECEIVER PLATE FOR SOLAR
CONVERSION OR THE LIKE**

[76] Inventor: **Will Clarke England**, 7310 Eastcrest
Drive, Austin, Tex. 78752

[**] Term: **14 Years**

[21] Appl. No.: **651,099**

[22] Filed: **Jan. 21, 1976**

[51] Int. Cl. **D13—02; D26—05**

[52] U.S. Cl. **D26/1 R**

[58] Field of Search **D26/1 R; D48/16 A, 32 A;
D25/72; 350/167, 211, 292; 240/106 R,
106.1; 126/270; 136/206**

[56] **References Cited**

U.S. PATENT DOCUMENTS

1,986,065	1/1935	Maillet	350/211 UX
3,134,021	5/1964	Ploke	350/211 UX

3,797,915	3/1974	Land et al.	350/292 X
3,885,876	5/1975	Konopka	350/167 X

FOREIGN PATENT DOCUMENTS

1,956,636	6/1970	Germany	240/106.1
-----------	--------	---------------	-----------

Primary Examiner—Susie J. Mercer

[57] **CLAIM**

The ornamental design for a condensed multiple convergence linear optical and convective receiver plate for solar conversion or the like, substantially as shown and described.

DESCRIPTION

FIG. 1 is a perspective of a condensed multiple convergence linear optical and receiver plate for solar conversion or the like showing my new design.

FIGS. 2, 3, 4 and 5 are perspective views of further embodiments of my design. The underside of each embodiment is flat and plain. The plate of each embodiment is understood to have indeterminate length.

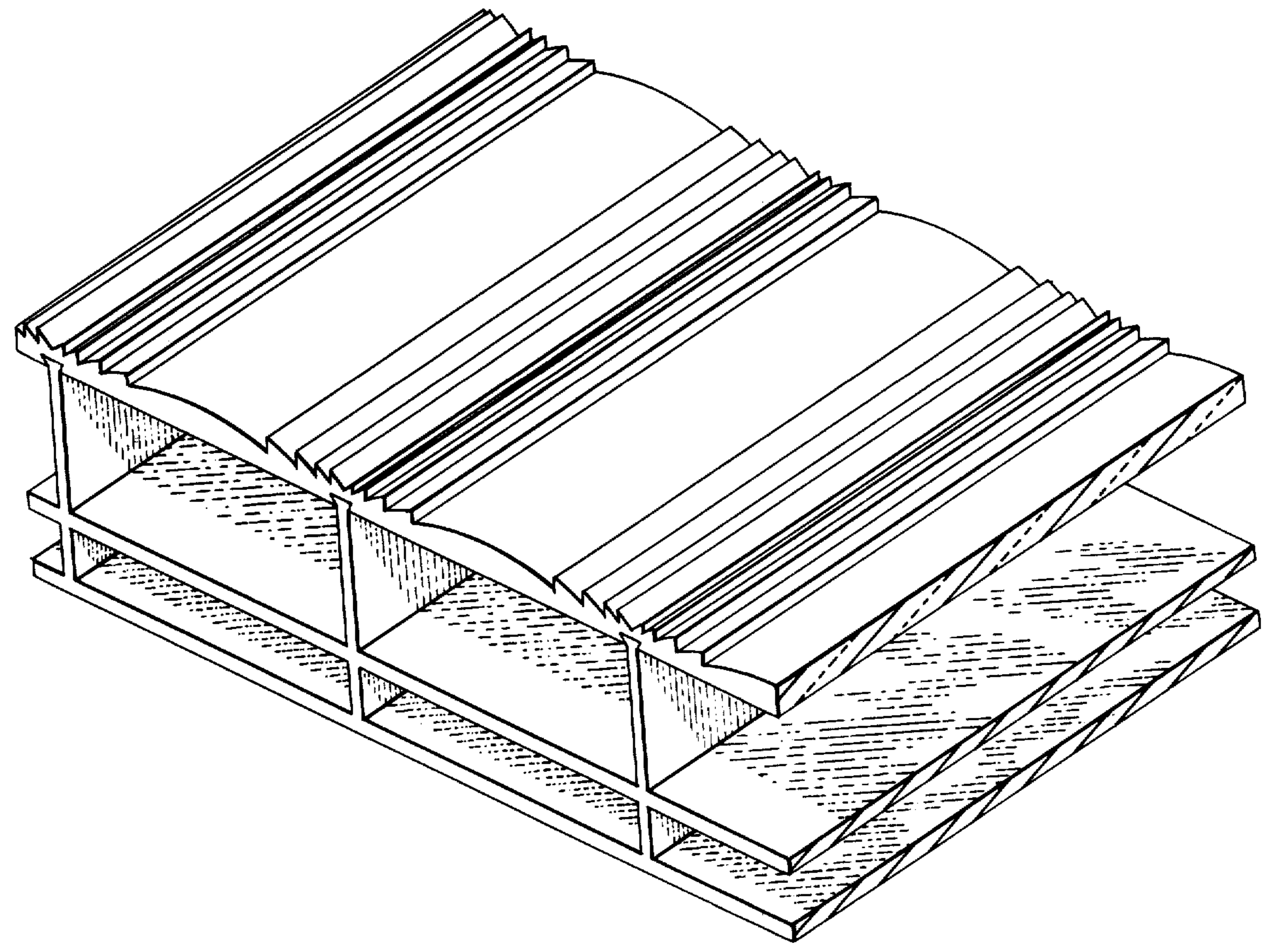


Fig. 1

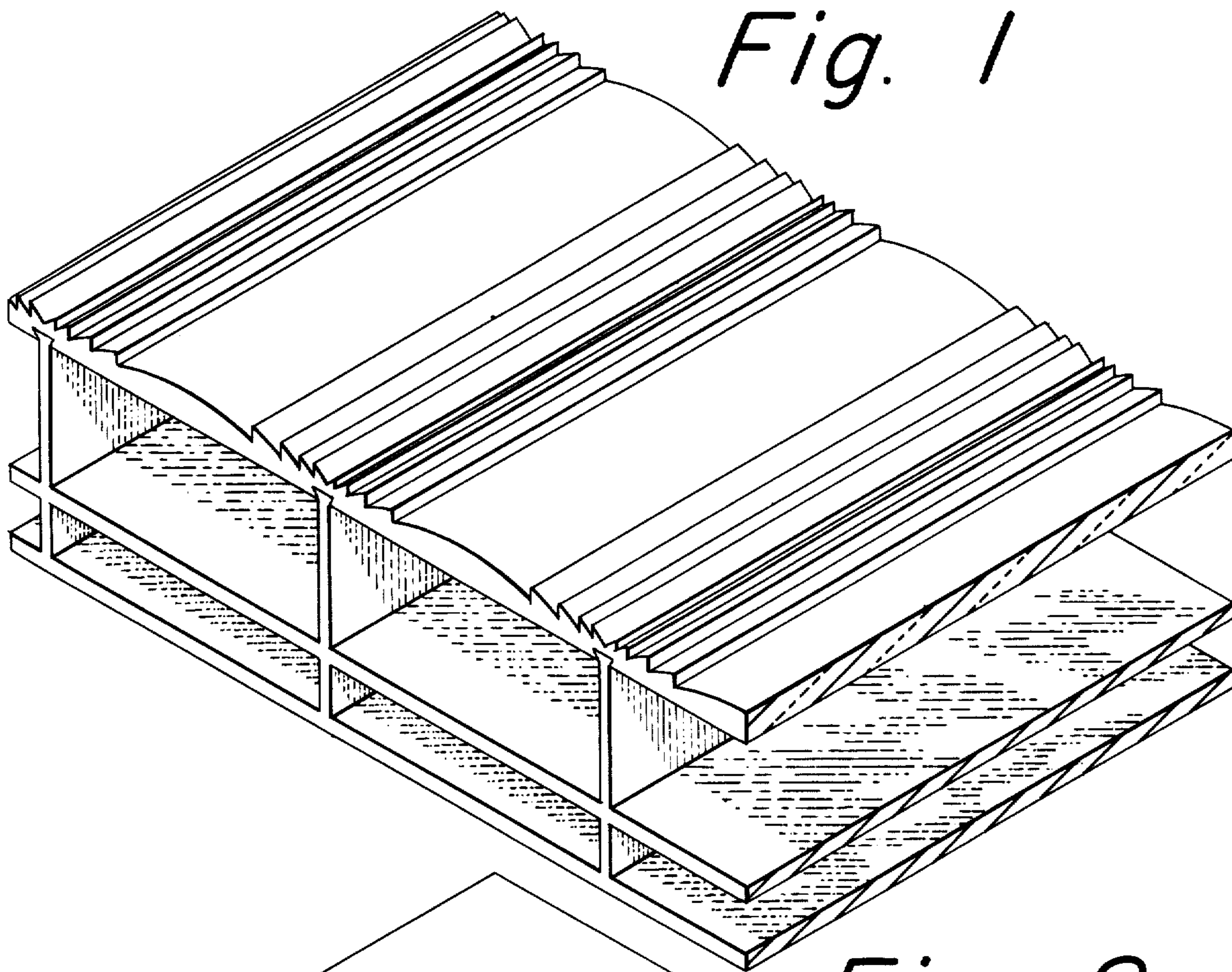
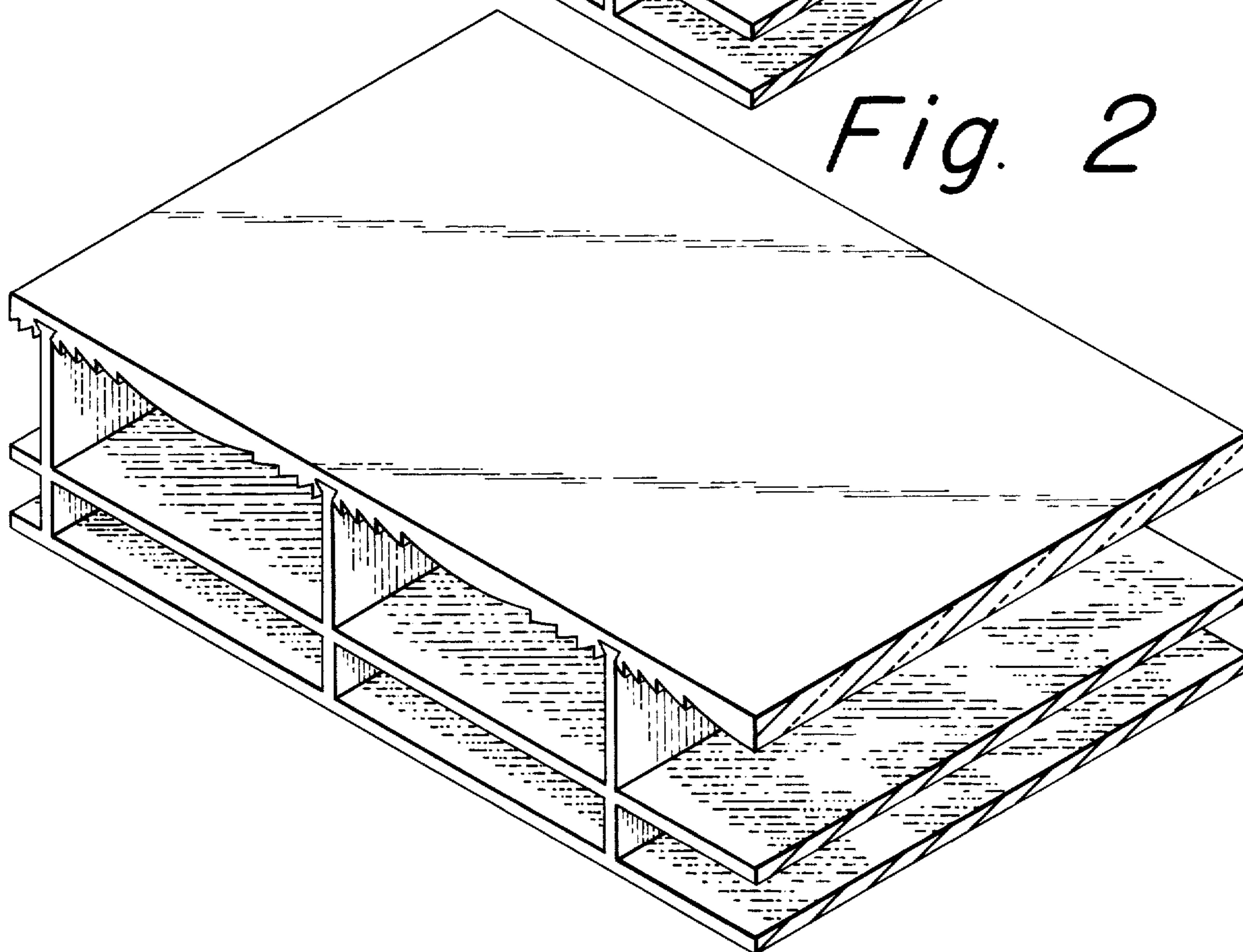


Fig. 2



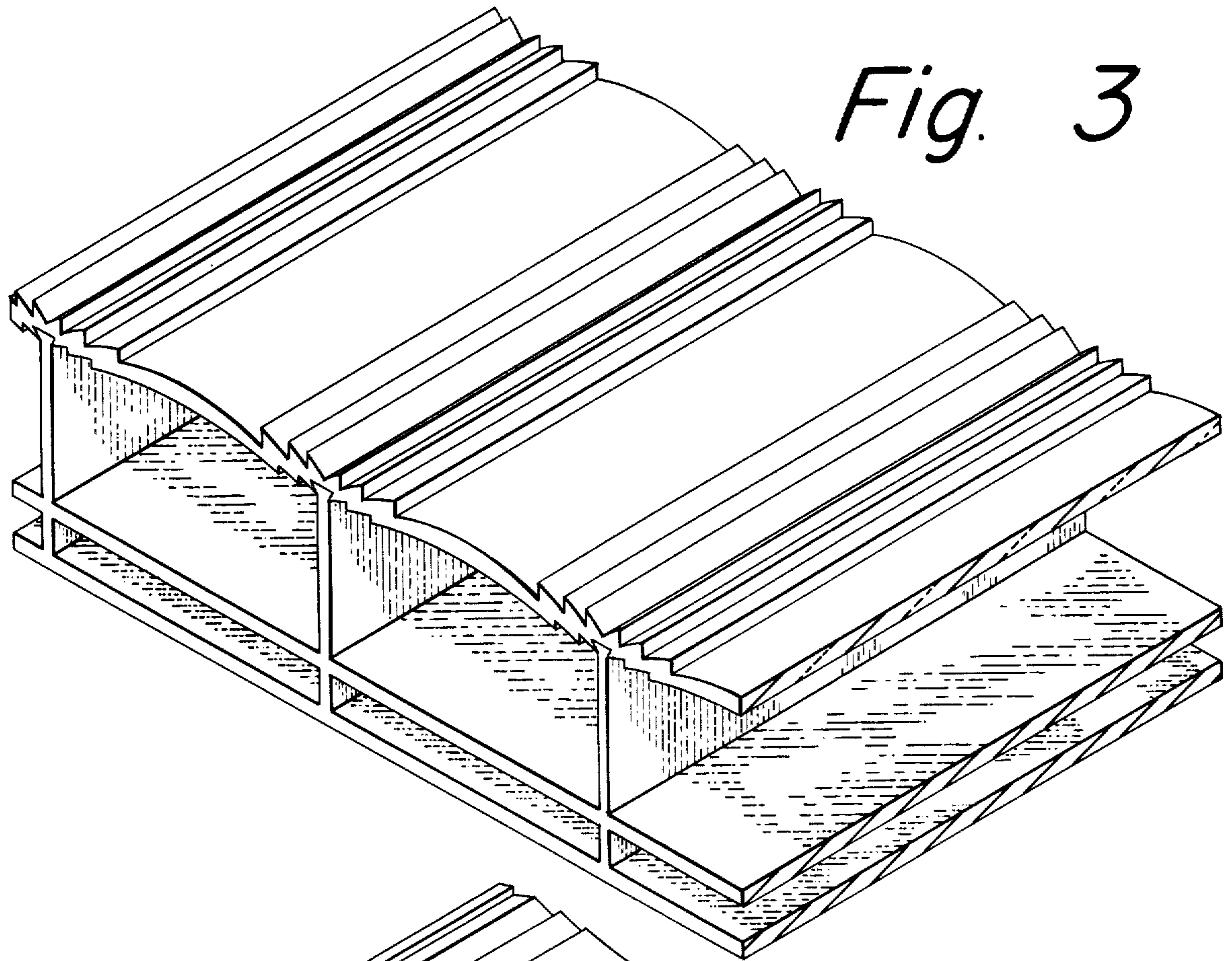


Fig. 3

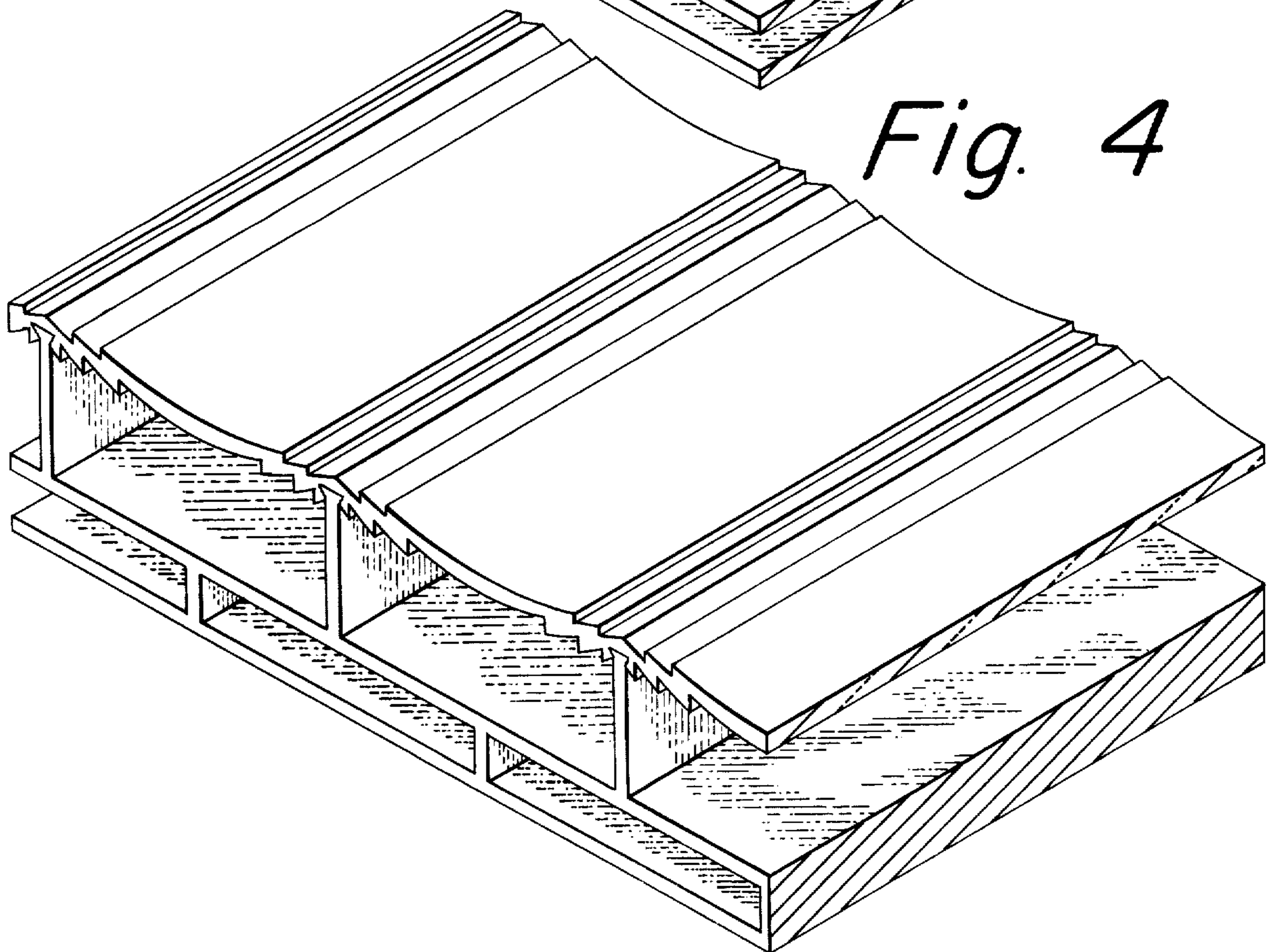


Fig. 4

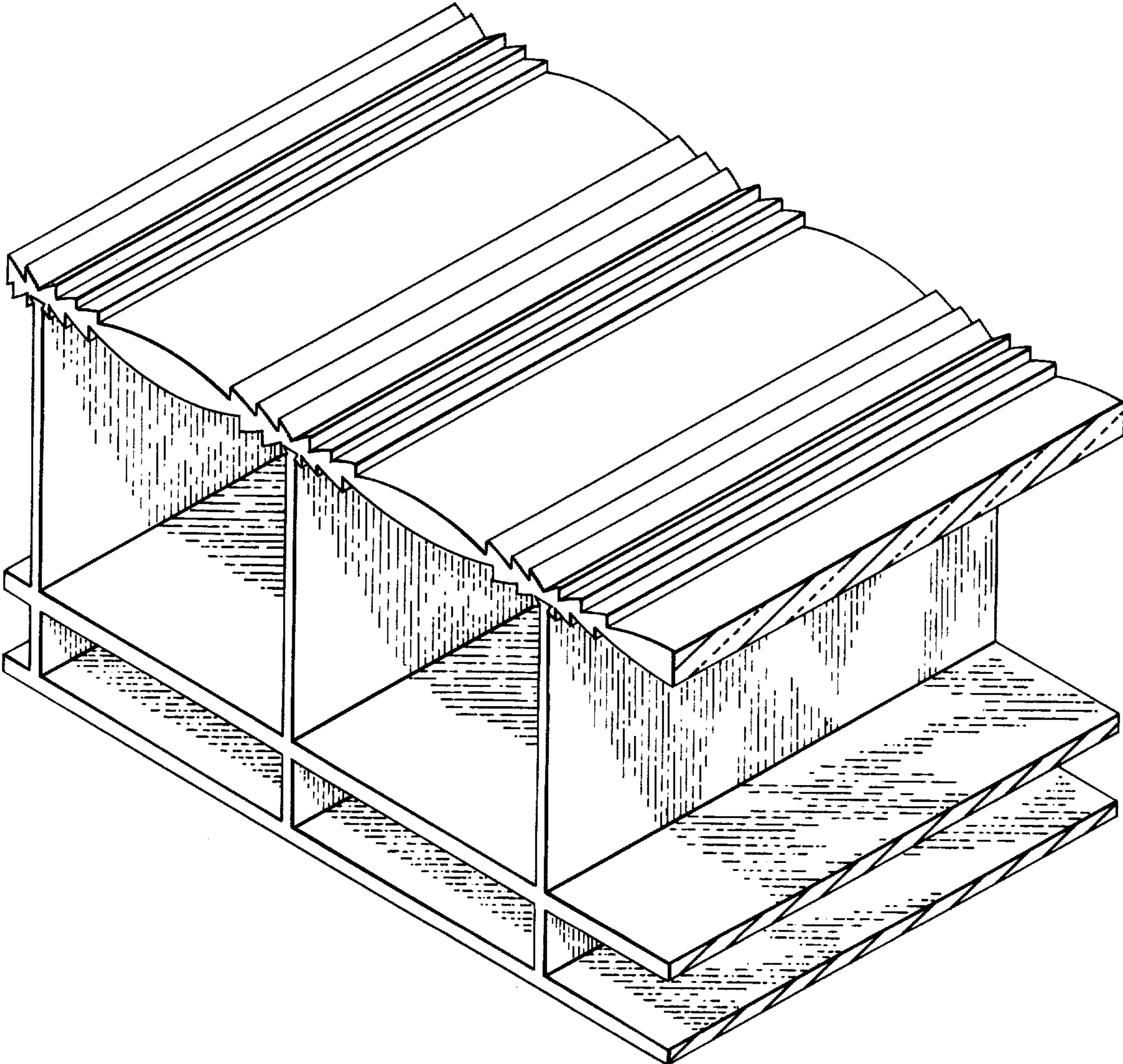


Fig. 5