

[54] **MULTIPLE CONVERGENCE LINEAR OPTICAL AND RECEIVER PLATE FOR SOLAR CONVERSION OR THE LIKE**

3,332,318 7/1967 Gessel 350/167 UX
3,586,592 6/1971 Cahn 350/167 X
3,885,876 5/1975 Konopka 350/167 X

[76] Inventor: **Will Clarke England**, 7310 Eastcrest Drive, Austin, Tex. 78752

Primary Examiner—Susie J. Mercer

[**] Term: **14 Years**

[57] **CLAIM**

[21] Appl. No.: **651,097**

The ornamental design for a multiple convergence linear optical and convective receiver plate for solar conversion or the like, substantially as shown and described.

[22] Filed: **Jan. 21, 1976**

[51] Int. Cl. **D13—02; D26—05**

[52] U.S. Cl. **D26/1 R**

[58] Field of Search **D26/1 R; D48/16 A, 32 A; D25/72; 350/167, 211; 126/270; 136/206; 248/106 R, 106.1**

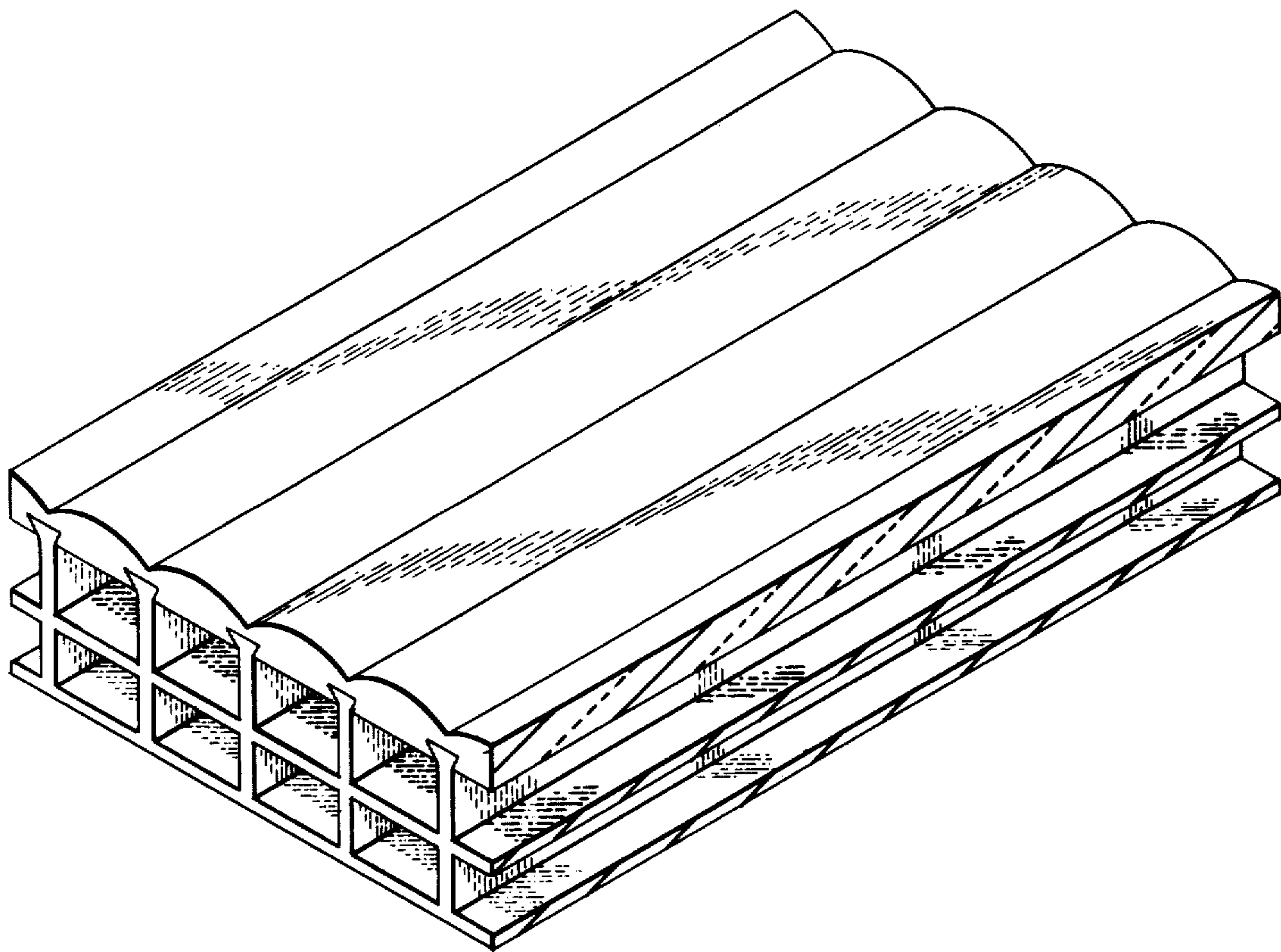
DESCRIPTION

FIG. 1 is a perspective of a multiple convergence linear optical and convective receiver plate for solar conversion or the like showing my new design; FIGS. 2, 3, 4 and 5 are perspective views of further embodiments of my design. The underside of each embodiment is flat and plain. The plate of each embodiment is understood to have indeterminate length.

[56] **References Cited**

U.S. PATENT DOCUMENTS

3,134,021 5/1964 Ploke 350/211 UX
3,225,651 12/1965 Clay 350/167 UX



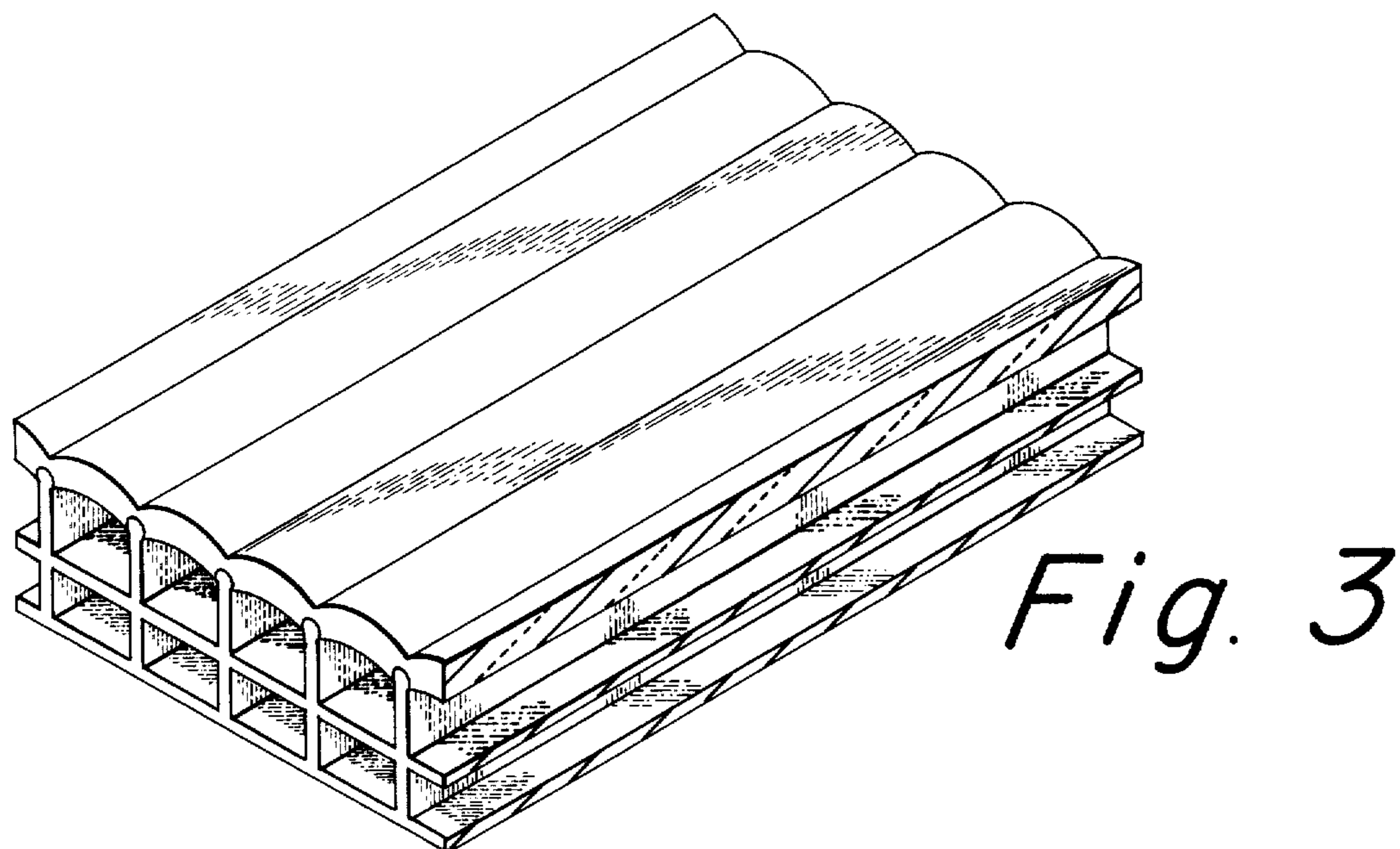
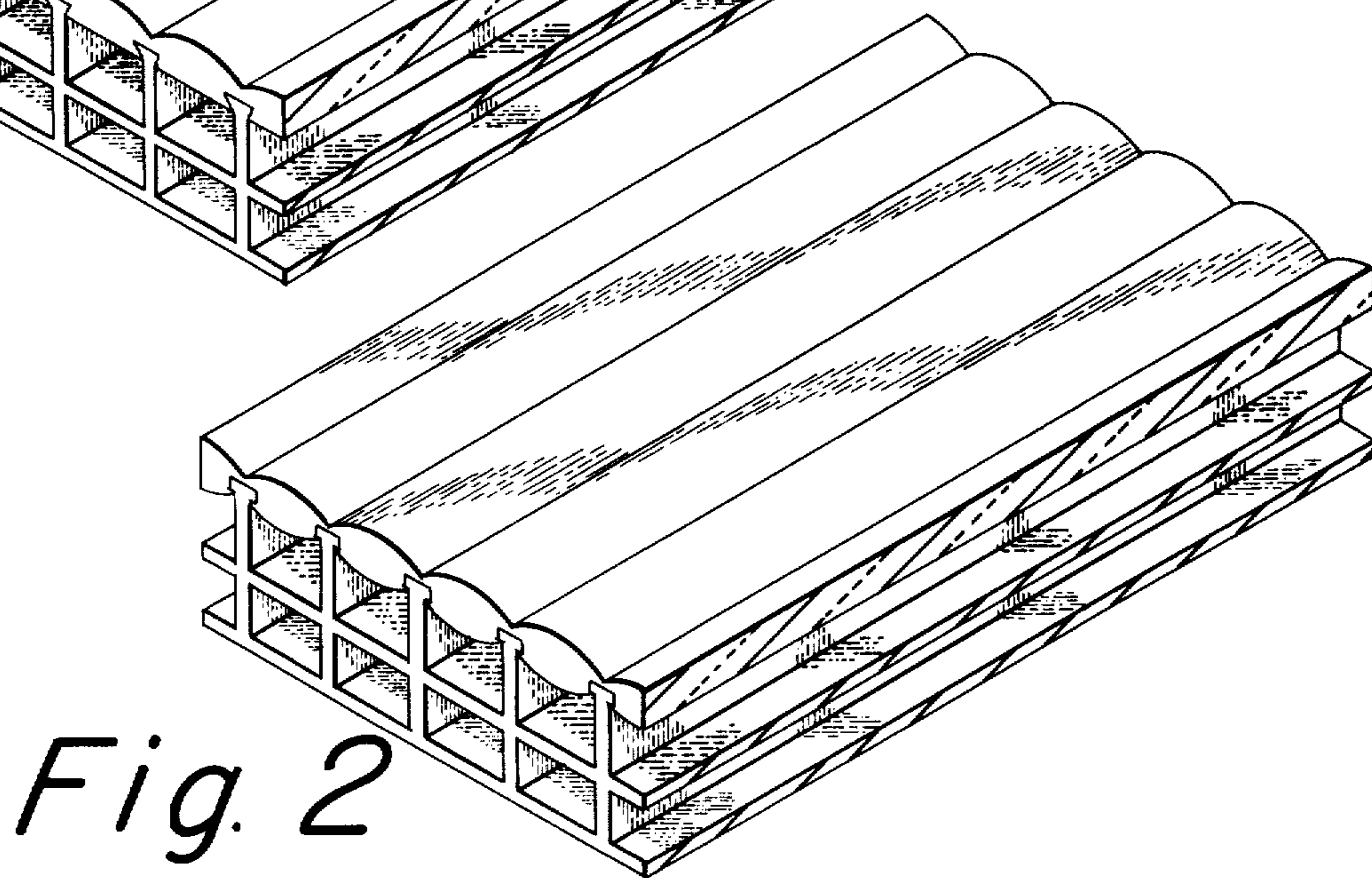
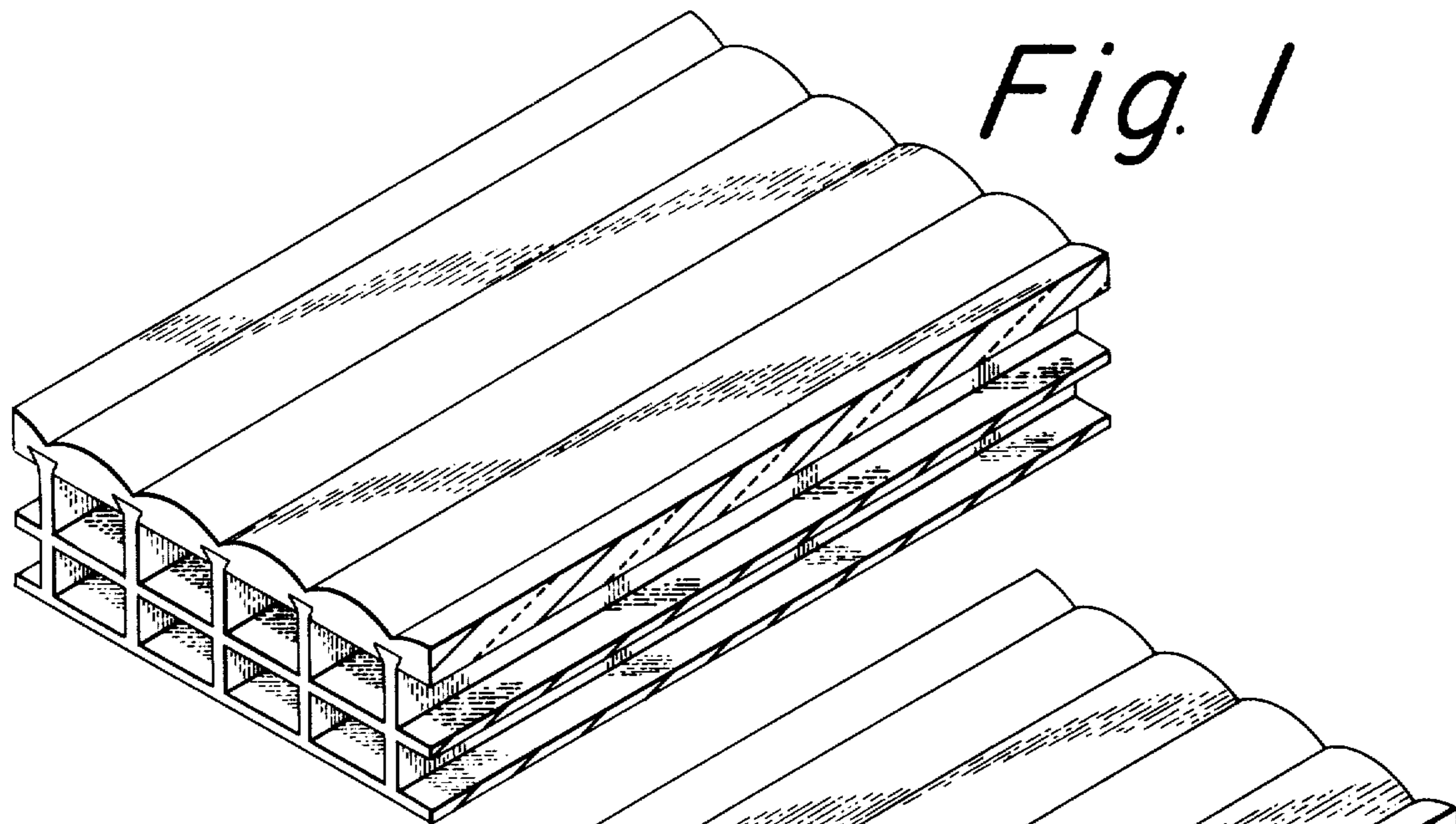


Fig. 4

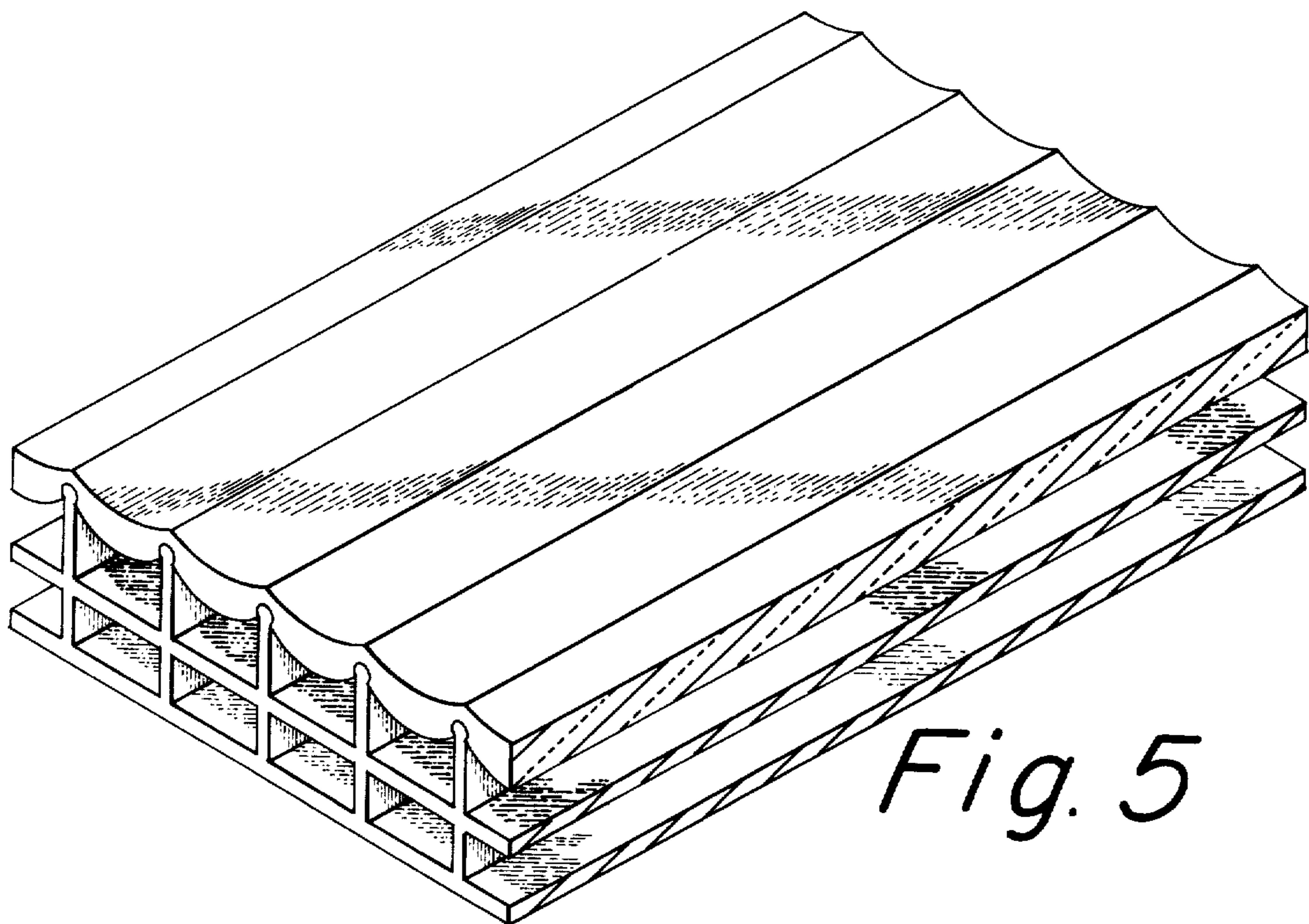
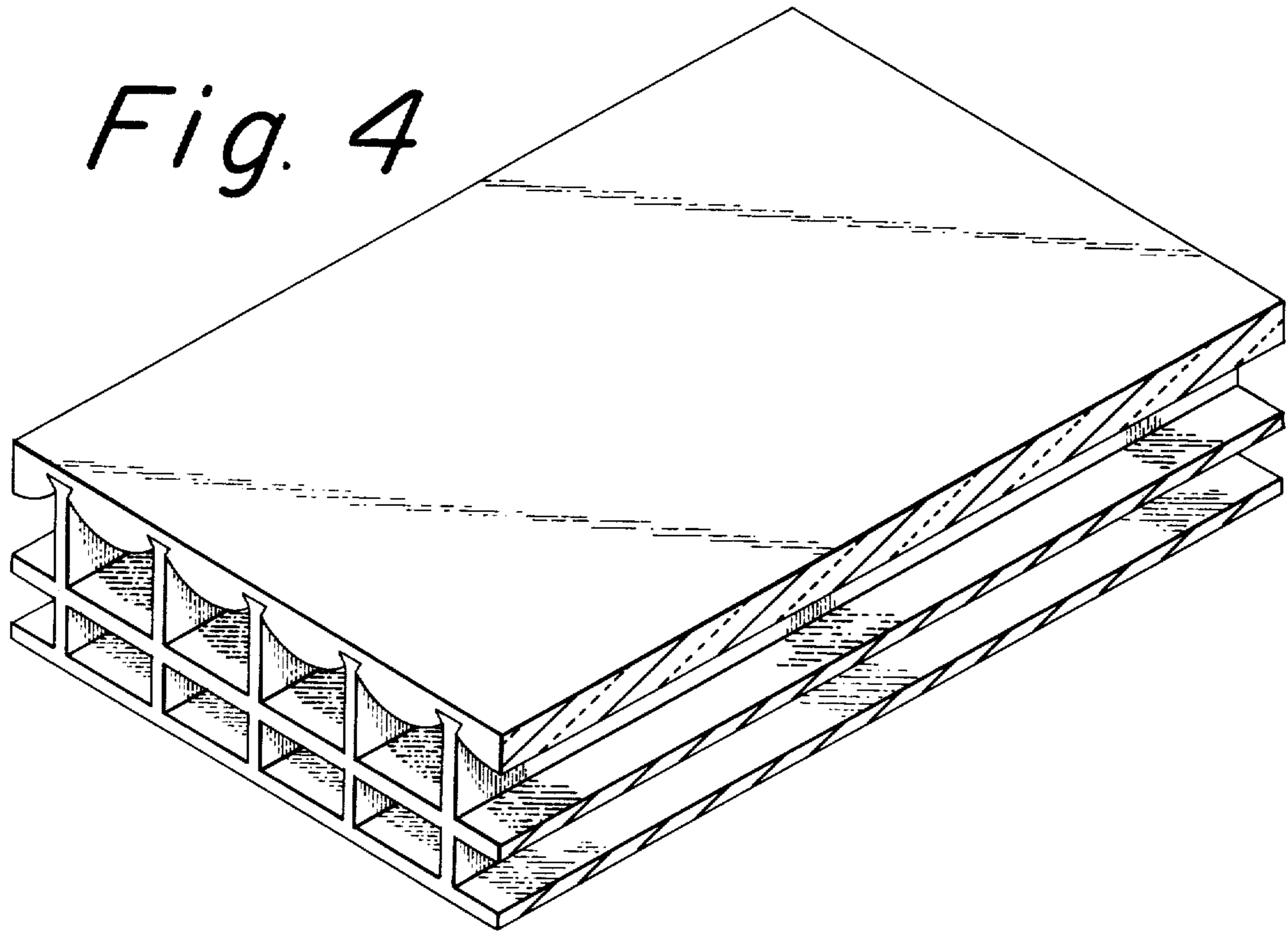


Fig. 5