

[54] **SPRAYER**

[76] Inventor: **Tetsuya Tada**, 2,6, 3-chome,  
Nishinakanobu Shinagawa, Tokyo,  
Japan

[\*\*] Term: **14 Years**

[21] Appl. No.: **608,268**

[22] Filed: **Aug. 27, 1975**

[30] **Foreign Application Priority Data**

May 8, 1975 Japan ..... 49-17921

[51] Int. Cl. .... **D23-04**

[52] U.S. Cl. .... **D23/17**

[58] Field of Search ..... **D23/17, 18, 3A-39;**  
**239/332, 333, 852.6**

[56] **References Cited**

**U.S. PATENT DOCUMENTS**

3,701,478 10/1972 Tada ..... 239/526 X  
3,768,734 10/1973 Anderson, Jr. et al. .... 239/333

3,797,749 3/1974 Tada ..... 239/333  
3,897,006 7/1975 Tada ..... 239/333  
3,913,841 10/1975 Tada ..... 239/333 X  
3,927,834 12/1975 Tada ..... 239/526 X  
D. 199,098 9/1964 Tyler ..... D23/17  
D. 226,712 4/1973 Tada ..... D23/17

*Primary Examiner*—James R. Largen  
*Attorney, Agent, or Firm*—Robert D. Flynn

[57] **CLAIM**

The ornamental design for a sprayer, substantially as shown and described.

**DESCRIPTION**

FIG. 1 is a front view of a sprayer showing my new design, the rear being a mirror image of the front as shown;

FIG. 2 is a plan view thereof;

FIG. 3 is a bottom view thereof;

FIG. 4 is a left side elevation thereof; and

FIG. 5 is a right side elevation thereof.

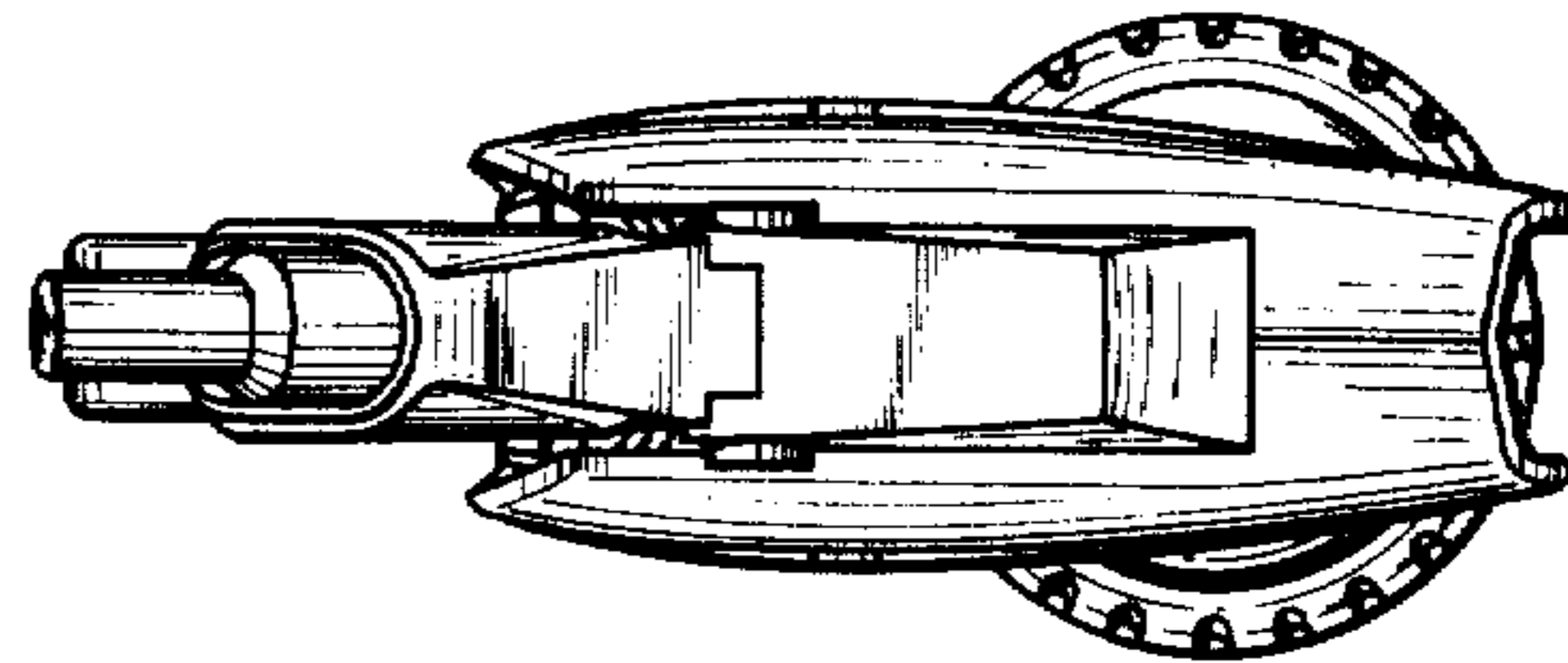
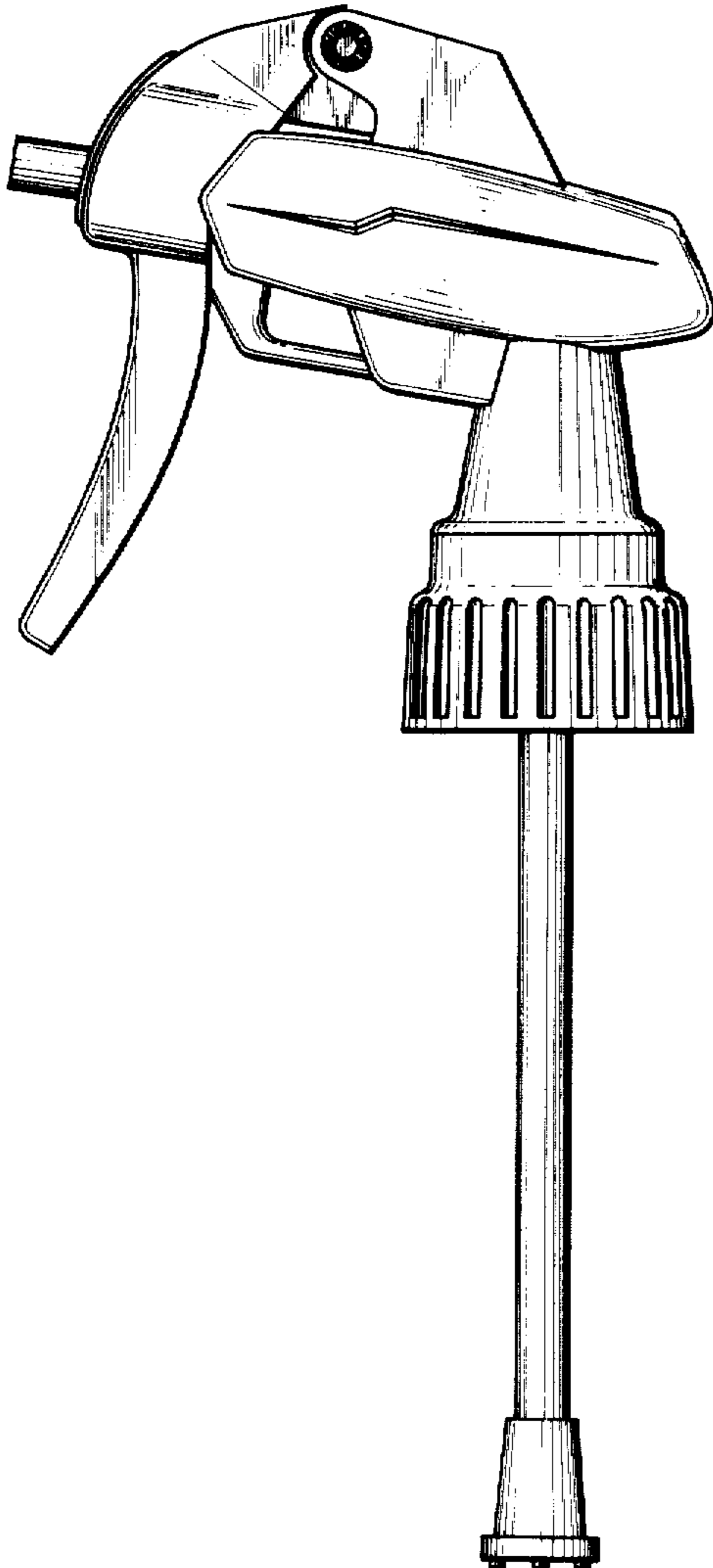


FIG. 1

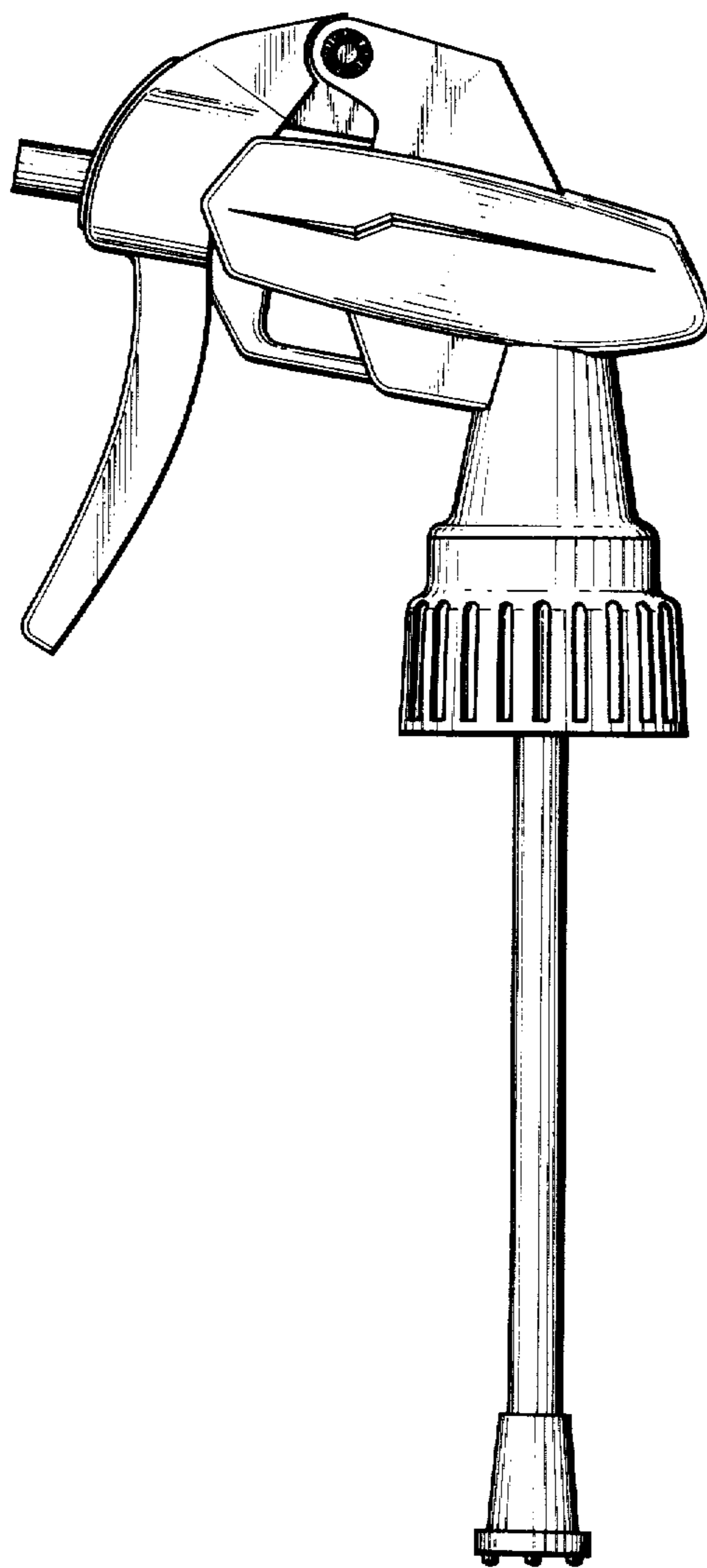


FIG. 2

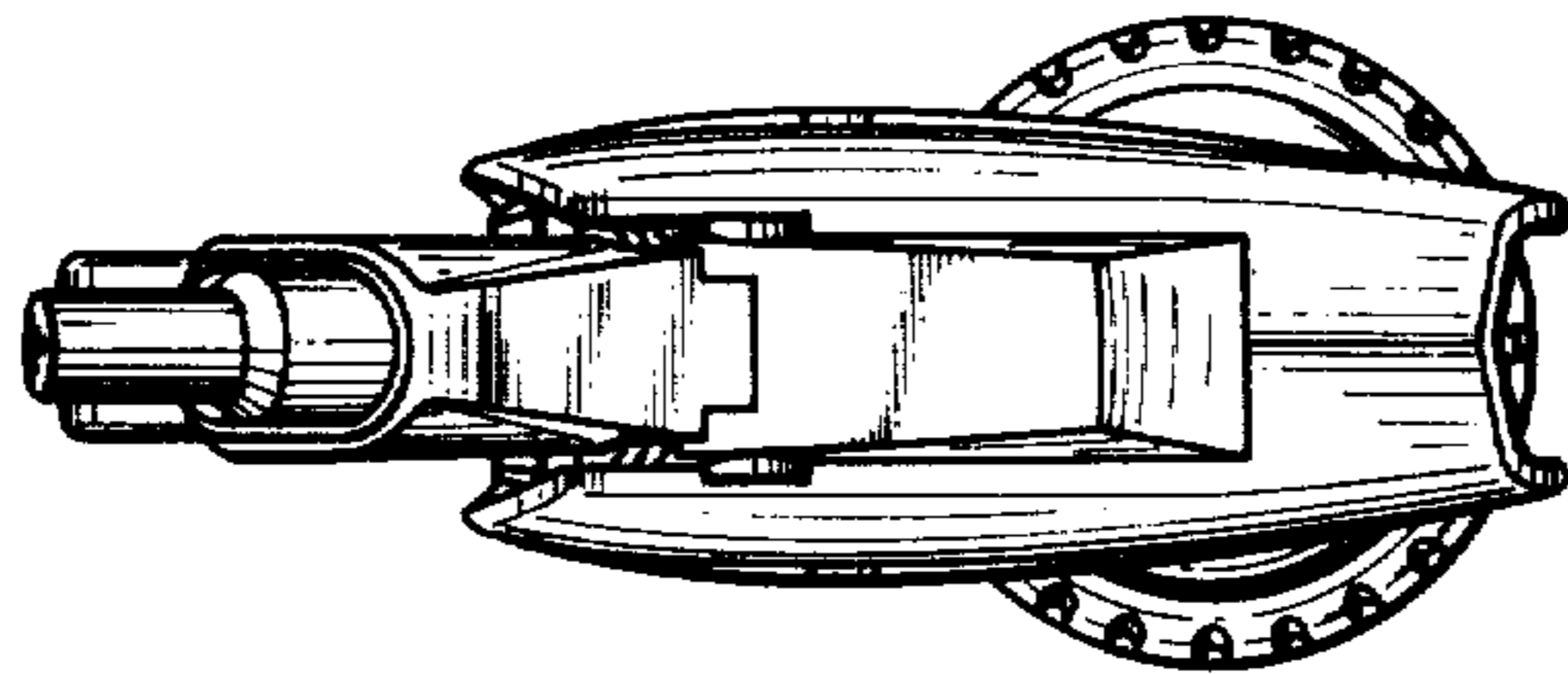


FIG. 3

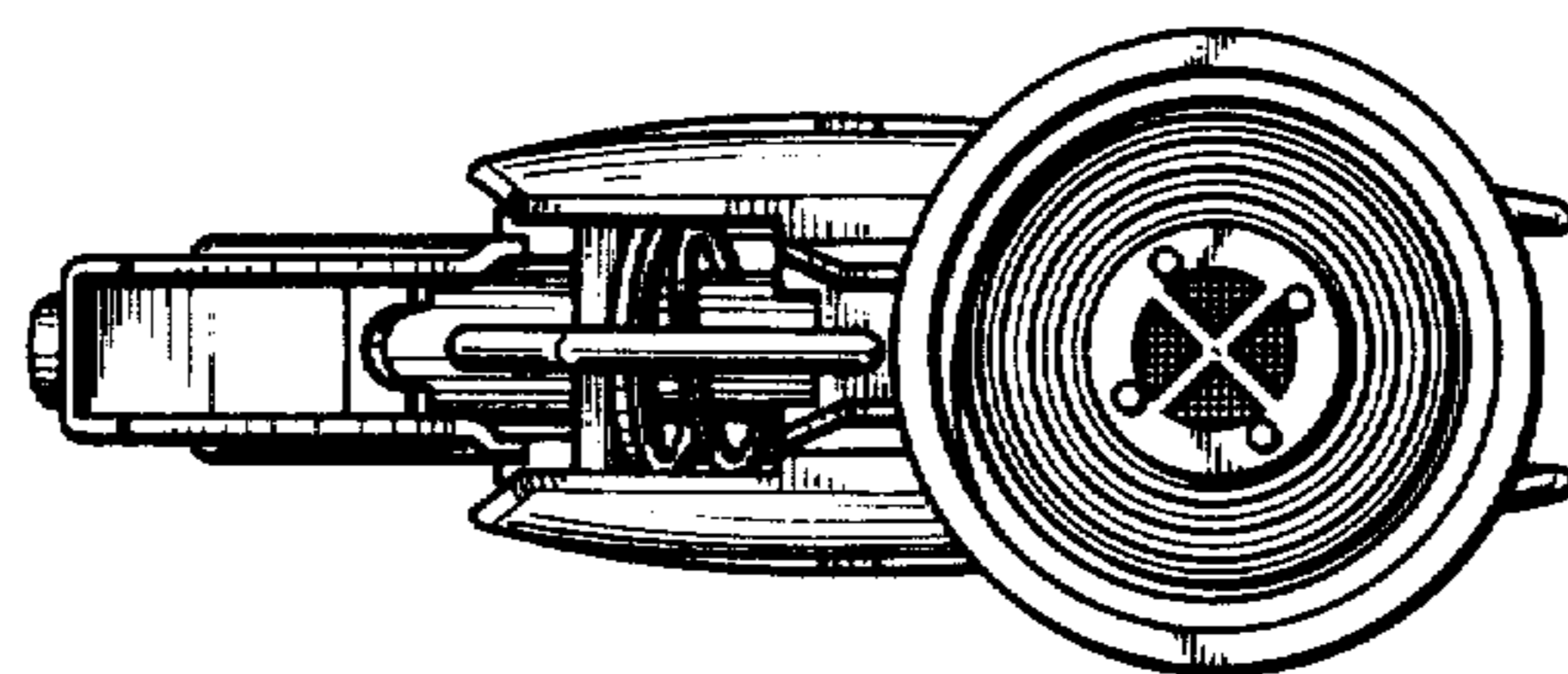


FIG. 4

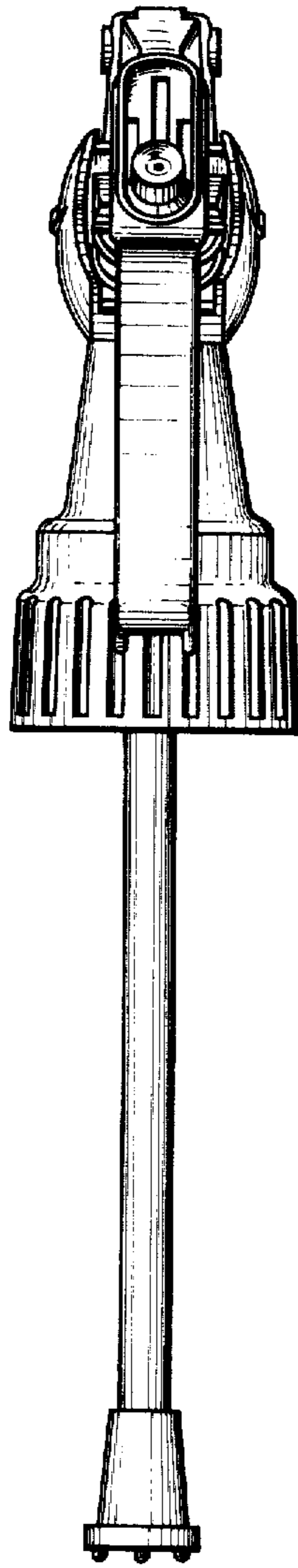


FIG. 5

