

[54] **MAGNIFIER FOR CALCULATOR READ OUT**

[76] **Inventor:** George A. Snarski, 3342 N. Ernst, Franklin Park, Ill. 60131

[**] **Term:** 3½ Years

[21] **Appl. No.:** 583,176

[22] **Filed:** June 4, 1975

[51] **Int. Cl.** D16-06

[52] **U.S. Cl.** D16/54

[58] **Field of Search** 249/19, 441; D26/5 R; D6/85; 350/251, 243, 110, 276, 276 R, 114, 119, 160, 113; D16/54, 55, 56

[56] **References Cited**

U.S. PATENT DOCUMENTS

2,586,581	2/1952	Tschischeck	350/251 X
2,736,097	2/1956	Coleman, Jr.	350/243 X

2,746,346	5/1956	Gaire	350/251 X
2,957,390	10/1960	Baukus	D10/54 X
D. 211,369	6/1968	Hitchcock	D6/85

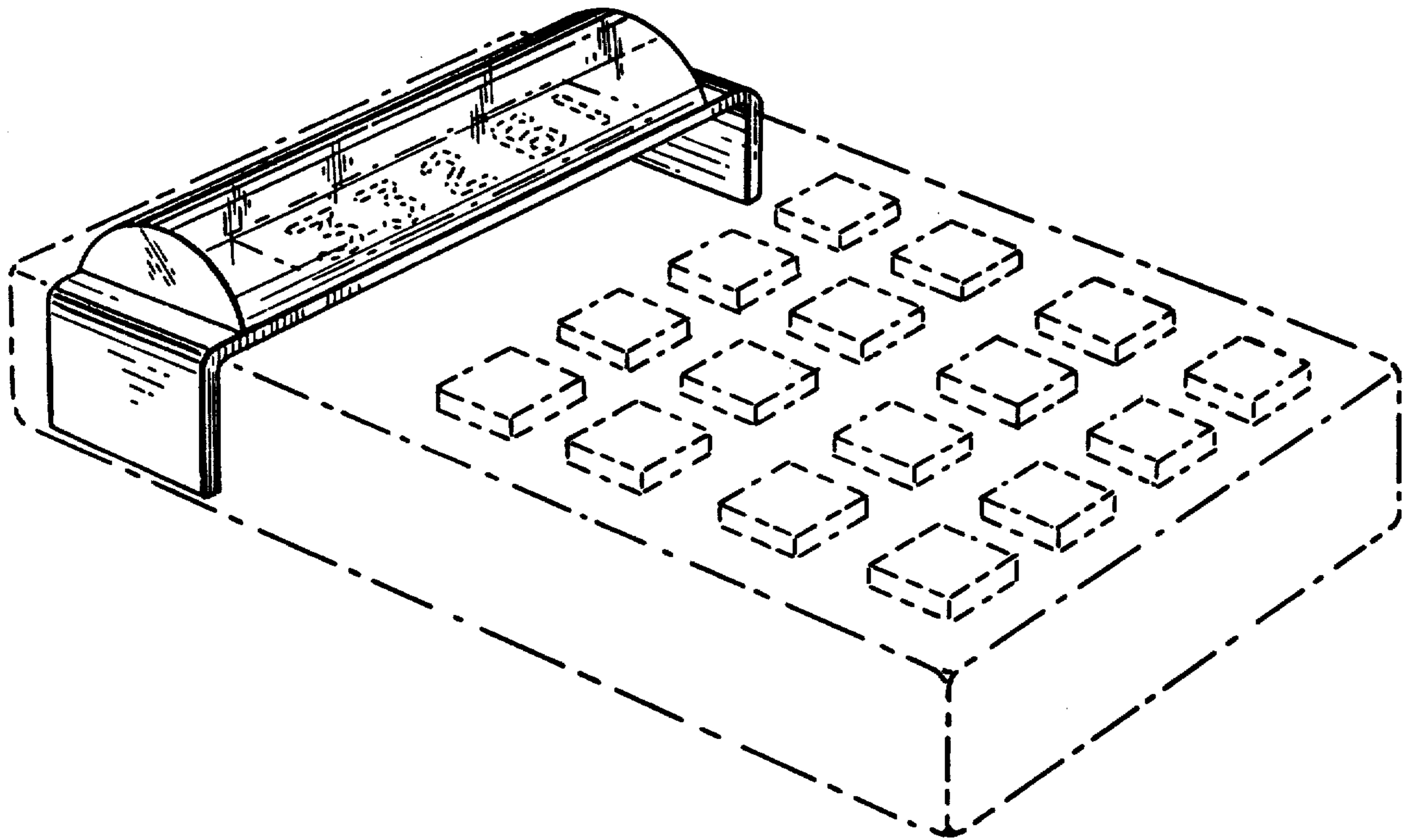
Primary Examiner—Bernard Ansher
Attorney, Agent, or Firm—Roger A. Schmiege

[57] **CLAIM**

The ornamental design for a magnifier for calculator read out, as shown and described.

DESCRIPTION

FIG. 1 is a prospective view of the Magnifier for Calculator Read Out, showing my new design; FIG. 2 is an end elevational view; FIG. 3 is a side elevational view; FIG. 4 is a top plan view; and FIG. 5 is a bottom plan view. The broken lines are shown for illustrative purposes only.



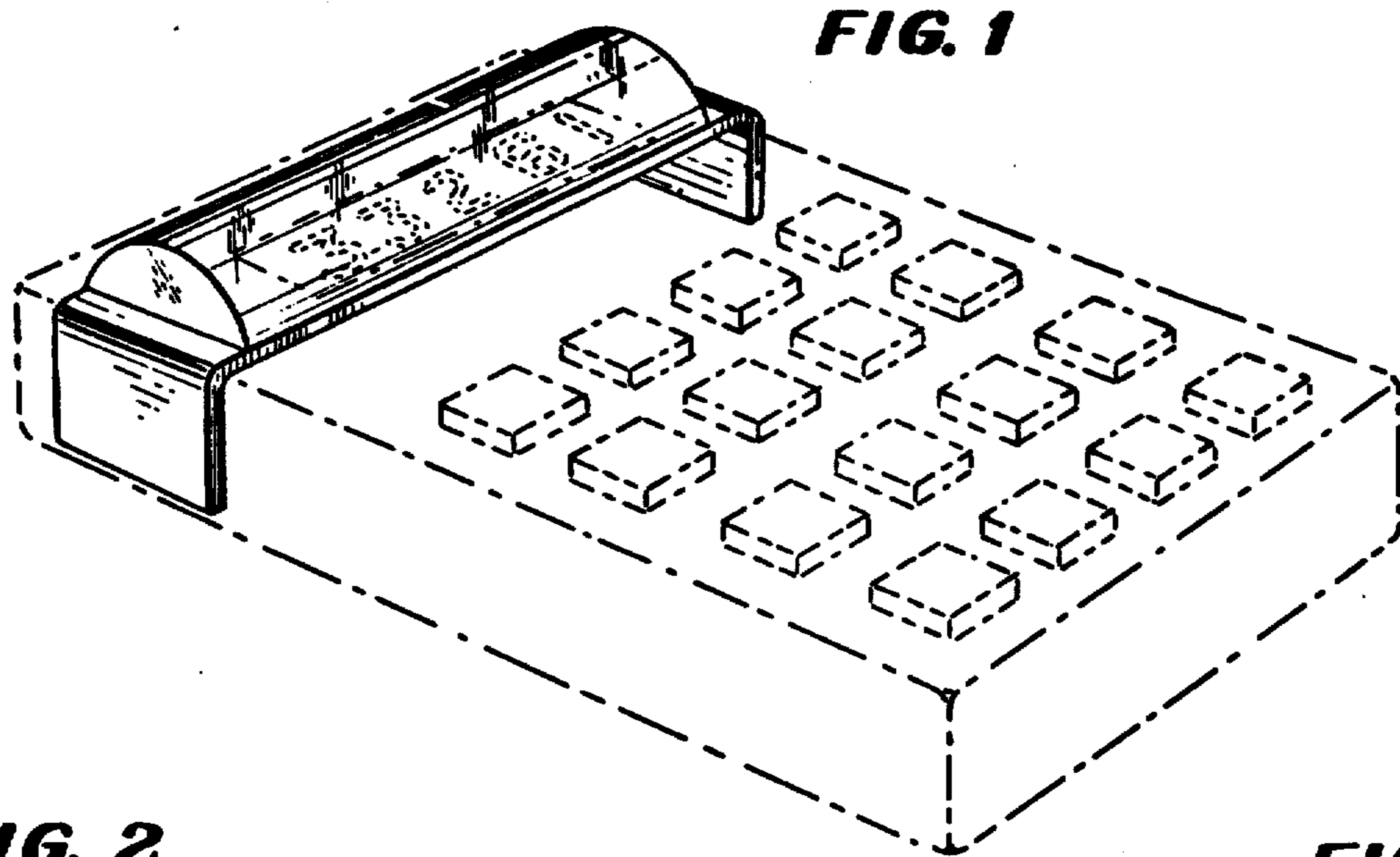


FIG. 2

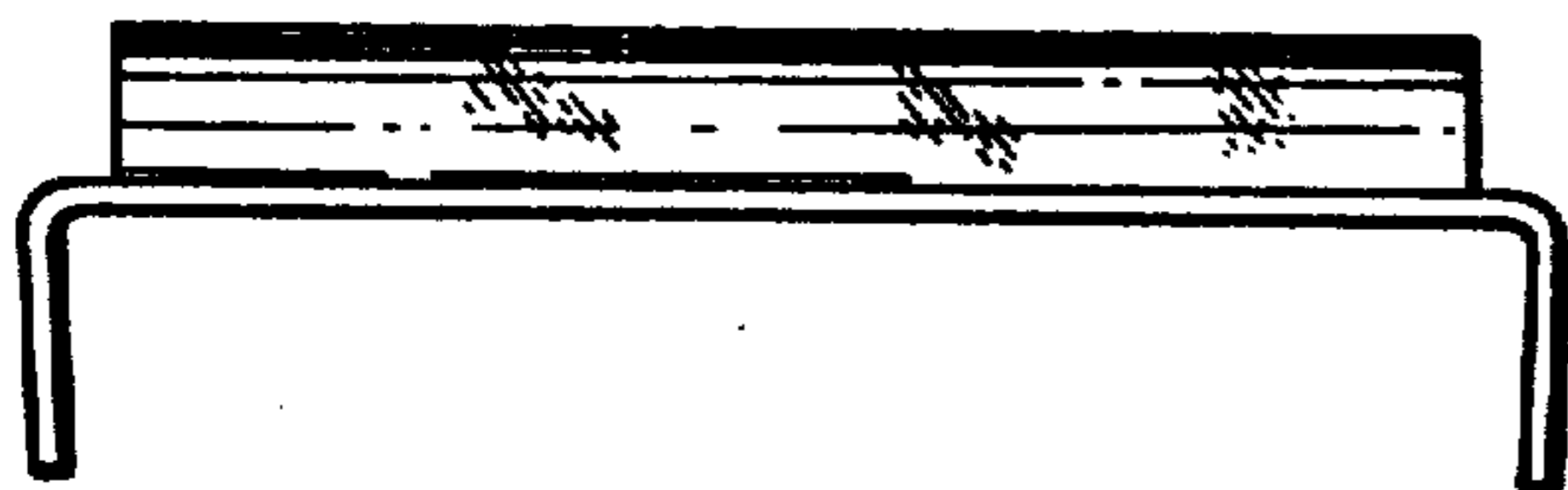


FIG. 3

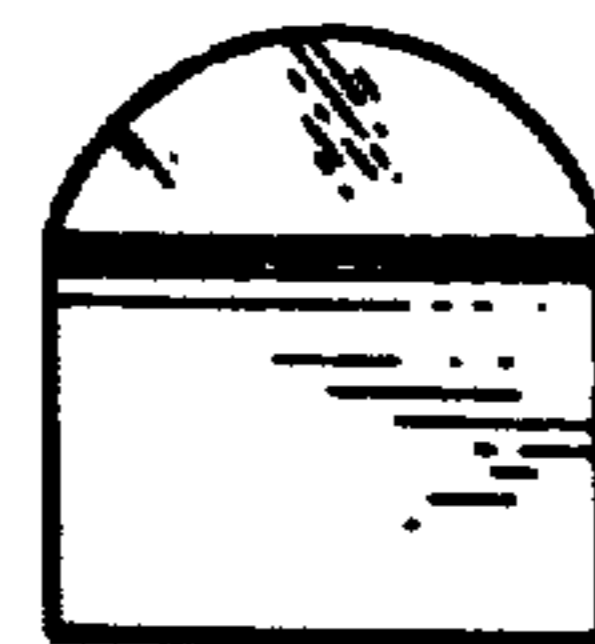


FIG. 4

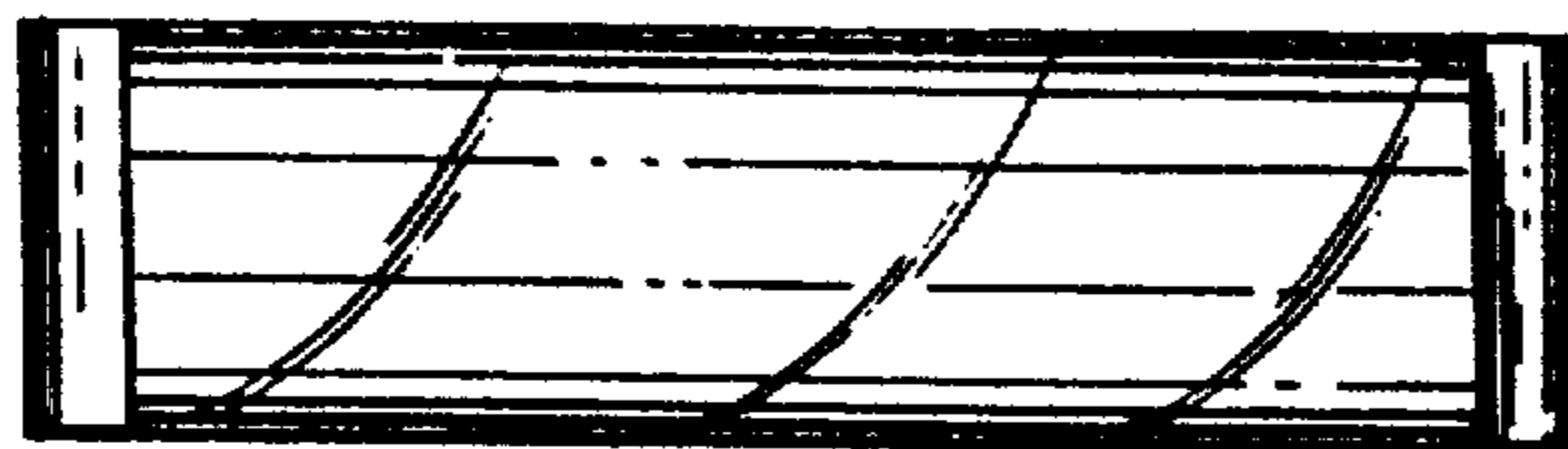


FIG. 5

